

OTTAWA COUNTY ENGINEERS OFFICE

REFERENCE NO. 35-7-15-D
 WEST QUARTER POST SEC. 35
 SALEM TWP.
 SHEET 1 OF 1.

ROUTE: T-101 LEUTZ RD.
 @ LaCARPE CREEK

TOWNSHIP: SALEM

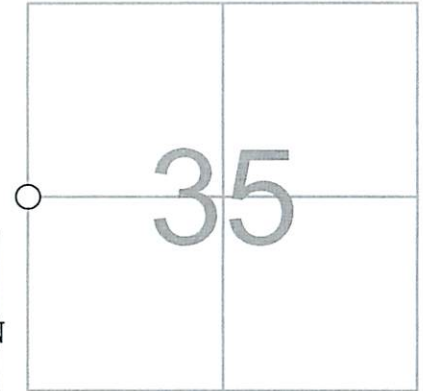
SECTION: 35

T 7 NR 15 E.

NORTHING:

EASTING:

DATUM:



PERSONNEL:
 M. WITTMAN, P.S.
 J. ALLEN
 J. TIMMONS

DATE / WEATHER / TEMP:
 MAY 13, 2016
 SUNNY - NW
 67° F

MONUMENT INFORMATION

MONUMENT TYPE: FD. 7/8" Ø IRON PIN
 ON SURFACE - BELOW: 1.17'
 LEFT - CL PAV'T - RIGHT: 0.70'

IRON PIN PER COUNTY CORNER RECORDS.

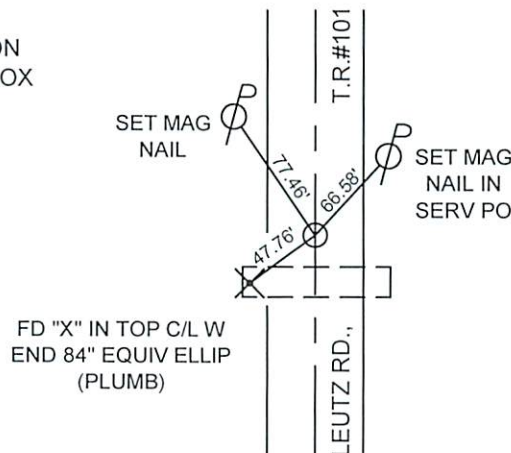


MISC. INFORMATION

FD PK NAIL ON SURFACE W/ 2' TIES NROTH, EAST AND WEST. TIED W/ X-TIES AND DUG FOR PIN OF RECORD. PK NAIL WAS ONLINE EAST AND WEST AND 0.05' N OF CENTER OF PIN.
 PLACE A 12" SQUARE SLEEVE OVER PIN AND A 1" x 7" SQUARE EXTENSION PIN IN MONUMENT BOX.

MAY 13, 2016

SET 1" SQUARE EXTENSION
 IRON PIN IN MONUMENT BOX
 OVER 7/8" Ø IRON PIN



FD "X" IN TOP C/L W
 END 84" EQUIV ELLIP
 (PLUMB)