

OTTAWA COUNTY ENGINEERS OFFICE

REFERENCE NO. 18-6-15-H
S QUARTER POST SECTION 18
SALEM TWP.
SHEET 1 OF 1.

ROUTE: T-41 FOUR-MILE HOUSE RD.

TOWNSHIP: SALEM

SECTION: 18

T 6 NR 15 E.

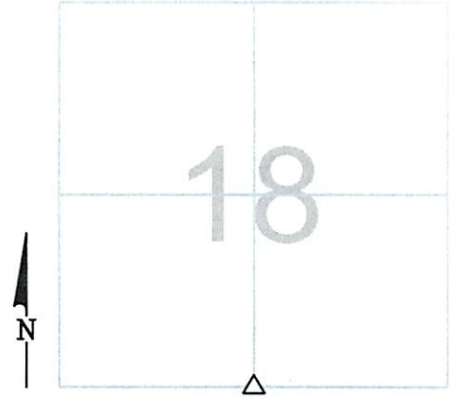
PERSONNEL:

M. WITTMAN, P.S.
J. ALLEN
K. SMITH
S. ULLRICH

NORTHING:

EASTING:

DATUM:



DATE / WEATHER / TEMP:

JULY 31, 2007
SUNNY
83° F

MONUMENT INFORMATION

MONUMENT TYPE: FD STONE W/ NOTCH
ON SURFACE - BELOW: 1.10'
LEFT - CL PAV'T - RIGHT:
RECTANGULAR STONE: 4" x 10" W/ NOTCH AND
DRILL HOLE IN CENTER OF NOTCH



MISC. INFORMATION

JULY 31, 2007

SET 1" SQUARE IRON PIN
IN MONUMENT BOX OVER
STONE

