

OTTAWA COUNTY ENGINEERS OFFICE

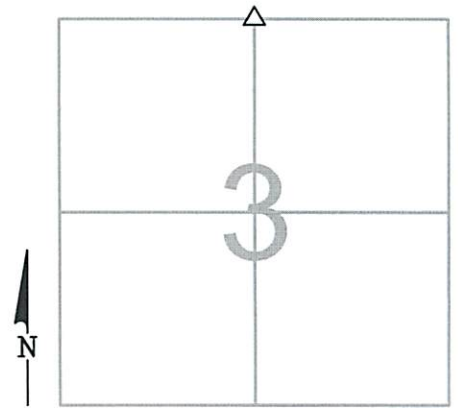
REFERENCE NO. 3-6-14-B
 NORTH QUARTER POST SEC. 3
 HARRIS TWP.
 SHEET 1 OF 1.

ROUTE: STATE ROUTE #163
 TOWNSHIP: BENTON
 SECTION: 3
 T 6 NR 14 E.

PERSONNEL:
 M. WITTMAN, P.S.
 J. ALLEN
 C. MILLER

NORTHING:
 EASTING:
 DATUM:

DATE / WEATHER / TEMP:
 APRIL 30, 2013
 SUNNY - S,SE
 63° F



MONUMENT INFORMATION

MONUMENT TYPE: FD 6" X 3-1/2" HARDHEAD STONE
 ON SURFACE - BELOW: 1.85'
LEFT - CL PAV'T - RIGHT: 0.40'

SET AND USED DRILL HOLE IN CENTER OF HIGH
 RIDGE OF STONE.



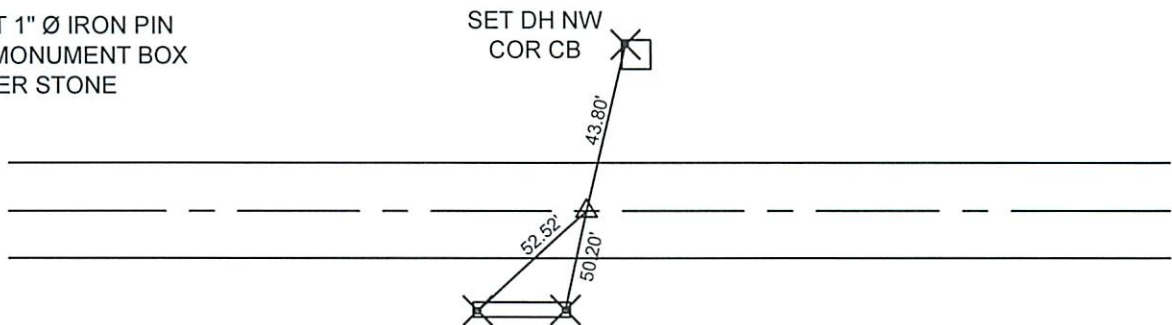
MISC. INFORMATION

FD NAIL AND SHINER 0.01' BELOW SURFACE, TIED W/
 X-TIES AND DUG FOR STONE. FD RR SPIKE WITH "X" ON
 TOP 0.14' BELOW SURFACE, 0.12' W AND 0.06' NORTH OF
 SURFACE NAIL. SURFACE NAIL AND SHINER WAS 0.19' N
 AND 0.48' W OF POINT USED ON STONE.

8-22-13: SET 1" Ø X 17" LONG IRON PIN IN FLOODED MASONRY
 SAND IN 6" Ø PVC IN MONUMENT BOX WITH ODOT AND
 SHELLY CO. ASSISTANCE.

AUGUST 22, 2013

SET 1" Ø IRON PIN
 IN MONUMENT BOX
 OVER STONE



FD DRILL HOLES IN
 "X" IN 8" X 8' CONC HDWL
 REFRESHED DRILL HOLES