

# OTTAWA COUNTY ENGINEERS OFFICE

REFERENCE NO. 6-6-16-A  
 NW CORNER POST SECTION 6  
 ERIE TWP.  
 SHEET 1 OF 1.

ROUTE: C-26 CARROLL-ERIE RD.

TOWNSHIP: ERIE

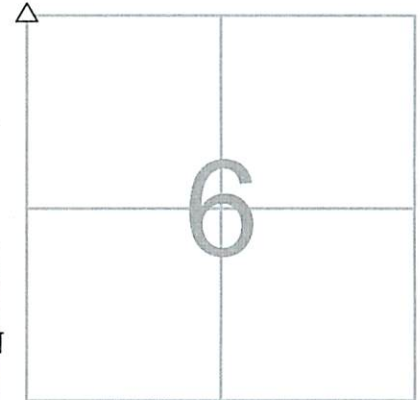
SECTION: 6

T 6 NR 16 E.

NORTHING:

EASTING:

DATUM:



PERSONNEL:  
 M. WITTMAN, P.S.  
 J. ALLEN  
 V. SZABO

DATE / WEATHER / TEMP:  
 JULY 10, 2018  
 SUNNY - NE  
 88° F

### MONUMENT INFORMATION

MONUMENT TYPE: FD. POINTED LIMESTONE  
 ON SURFACE - BELOW: 1.88'  
LEFT - CL PAV'T - RIGHT: 3.80'

4" x 6" POINTED LIMESTONE.

USED CENTER OF POINT ON STONE.



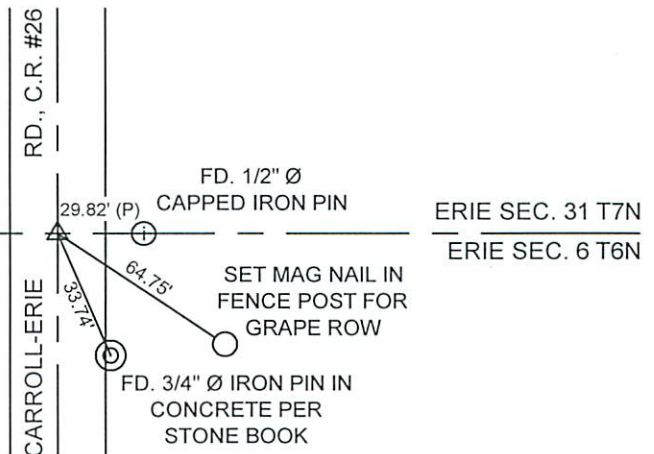
### MISC. INFORMATION

FD. PONY SPIKE 0.25' BELOW SURFACE, TIED W/  
 X-TIES AND DUG FOR STONE. FD. MULTIPLE  
 PIECES OF SCRAP IRON OVER STONE. PONY  
 SPIKE WAS DIRECTLY OVER POINT OF STONE.

JULY 10, 2018

SET 1" SQUARE IRON PIN  
 IN MONUMENT BOX OVER  
 STONE

SALEM SEC. 36 T7N  
 SALEM SEC. 1 T6N



ERIE SEC. 31 T7N  
 ERIE SEC. 6 T6N