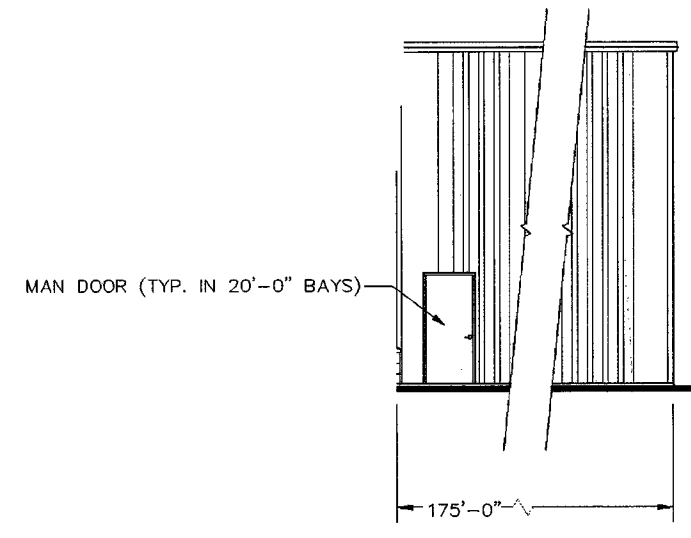
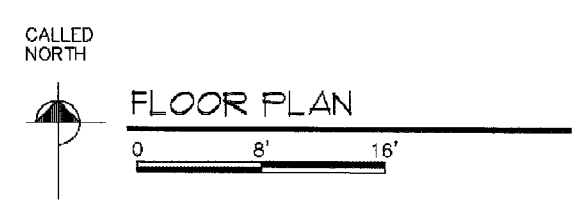
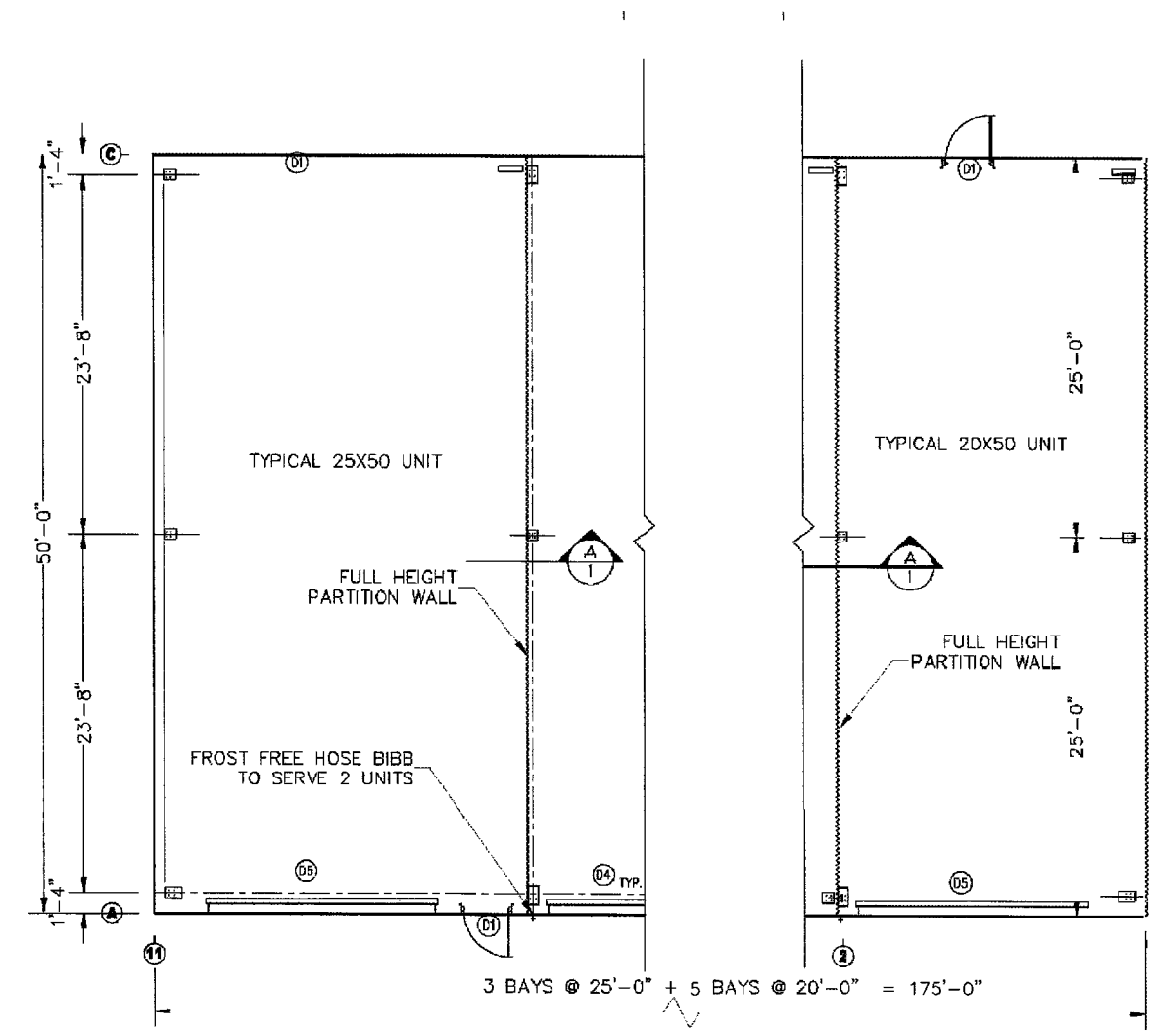
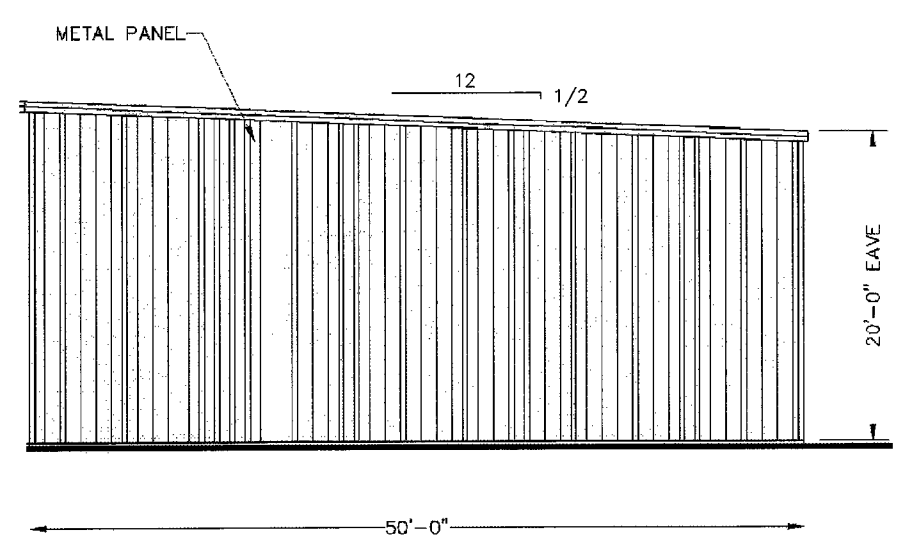


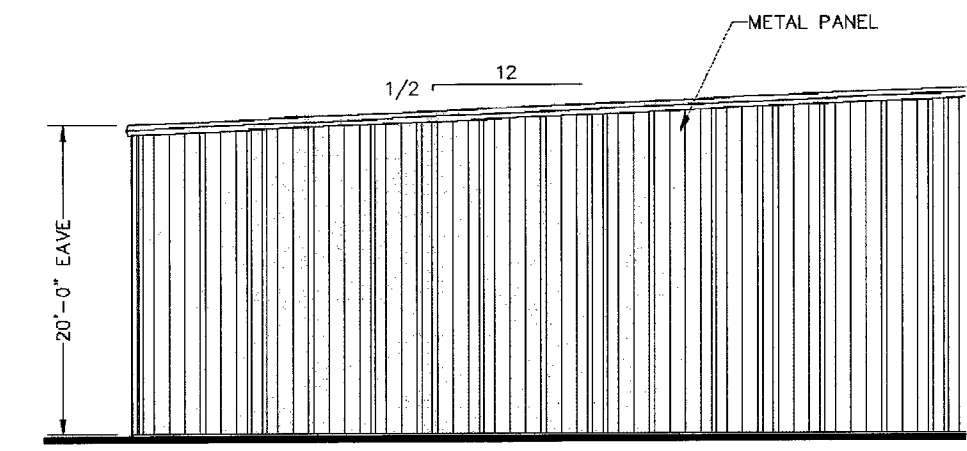
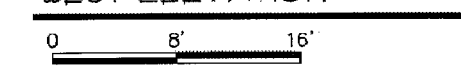
KEY PLAN



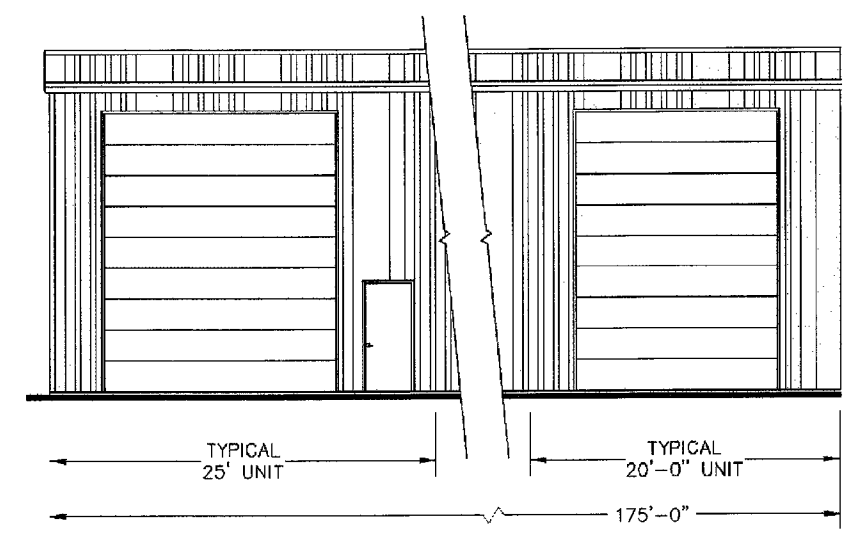
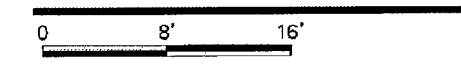
NORTH ELEVATION



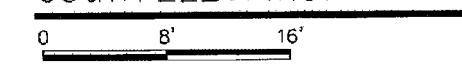
WEST ELEVATION



EAST ELEVATION



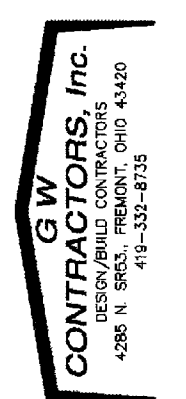
SOUTH ELEVATION



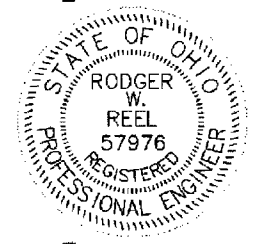
DATE 9/29/10

REVIEW

REVISION



PROJECT: SAFE HARBOR EAST HARBOR ROAD (SR 163 & 269) DANBURY TWP, OTTAWA CO, OHIO



JOB NO. 10021