

OTTAWA COUNTY ENGINEERS OFFICE

REFERENCE NO. 26-7-13-B
NORTH QUARTER POST SEC. 26
CLAY TWP.
SHEET 1 OF 1.

ROUTE: T-65 HELLWIG RD.

TOWNSHIP: CLAY

SECTION: 26

T 7 NR 13 E.

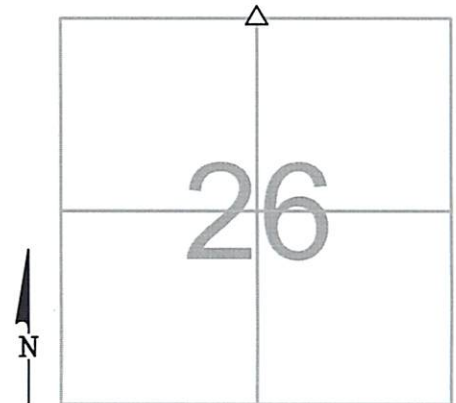
PERSONNEL:
M. WITTMAN, P.S.
J. ALLEN

NORTHING:

EASTING:

DATUM:

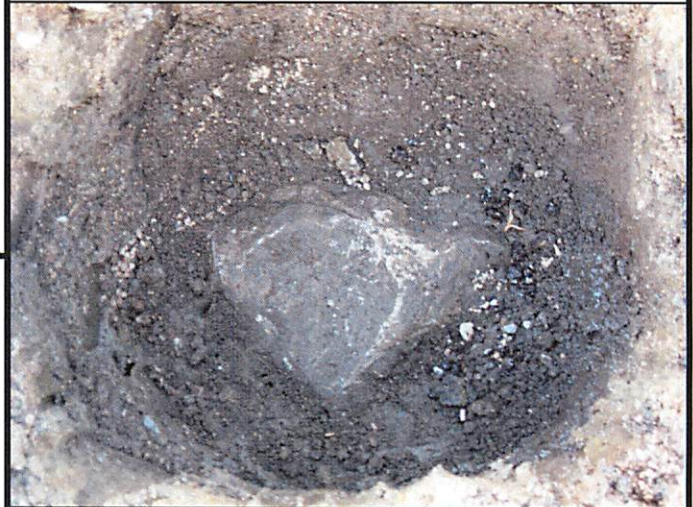
DATE / WEATHER / TEMP:
DECEMBER 3, 2009
CLDY - W
43° F



MONUMENT INFORMATION

MONUMENT TYPE: FD. 7"x8-1/2" FLAT TRIANGULAR LIMESTONE
ON SURFACE - BELOW: 1.69'
LEFT - CL PAV'T - RIGHT: 3.50'

USED CENTER OF STONE



MISC. INFORMATION

FD. PK NAIL 0.18' BELOW SURFACE, TIED WITH X-TIES AND DUG FOR STONE. PK NAIL WAS 1.2' W AND 0.55' S OF CENTER OF STONE.

DECEMBER 3, 2009

SET 1" SQUARE IRON PIN
IN MONUMENT BOX OVER
STONE

