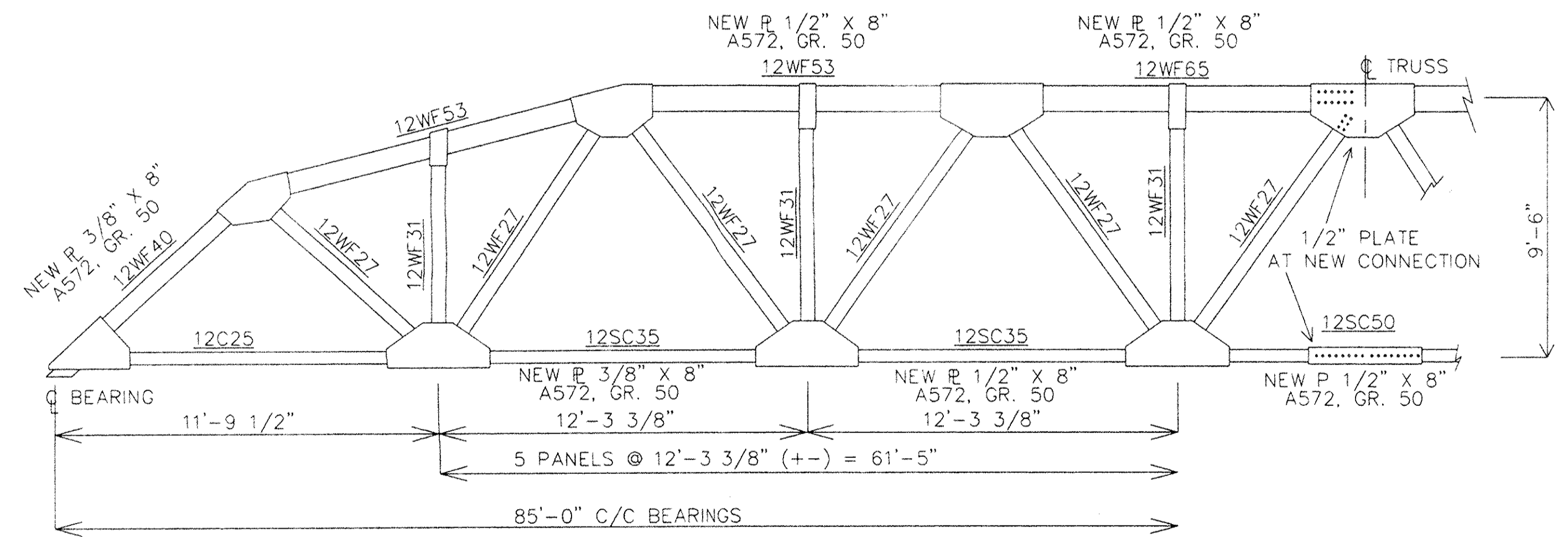


TRUSS BRIDGE SECTION VIEWS

TRUSS SHOE REACTION

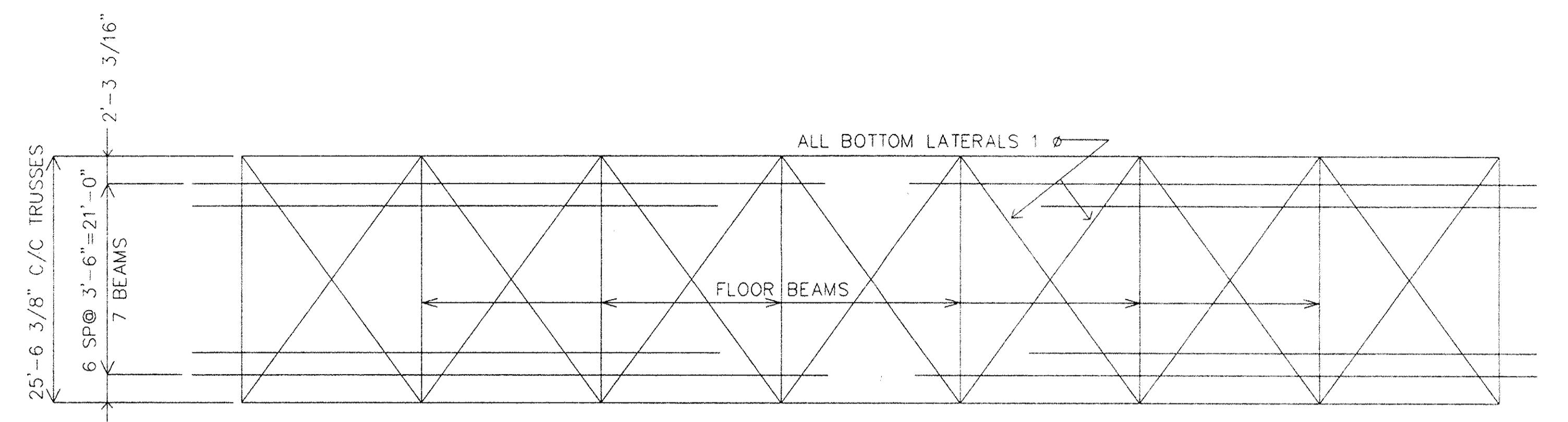
LIVE LOAD	41.8 K
IMPACT	9.7 K
DEAD LOAD	40.4 K
TOTAL	91.5 K



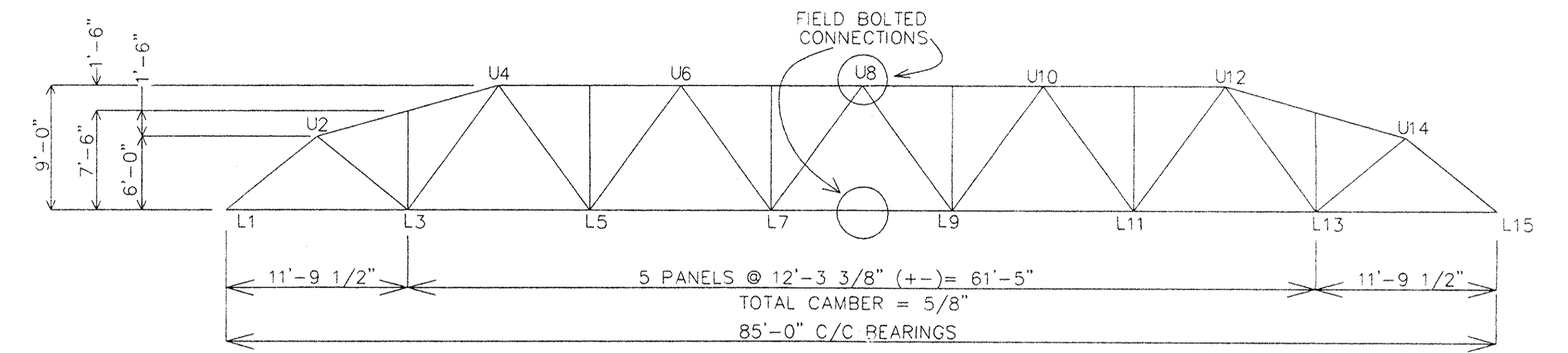
TRUSS DETAIL
TOTAL TRUSS STEEL WEIGHT 14.8 K

DESIGN DEAD LOADS

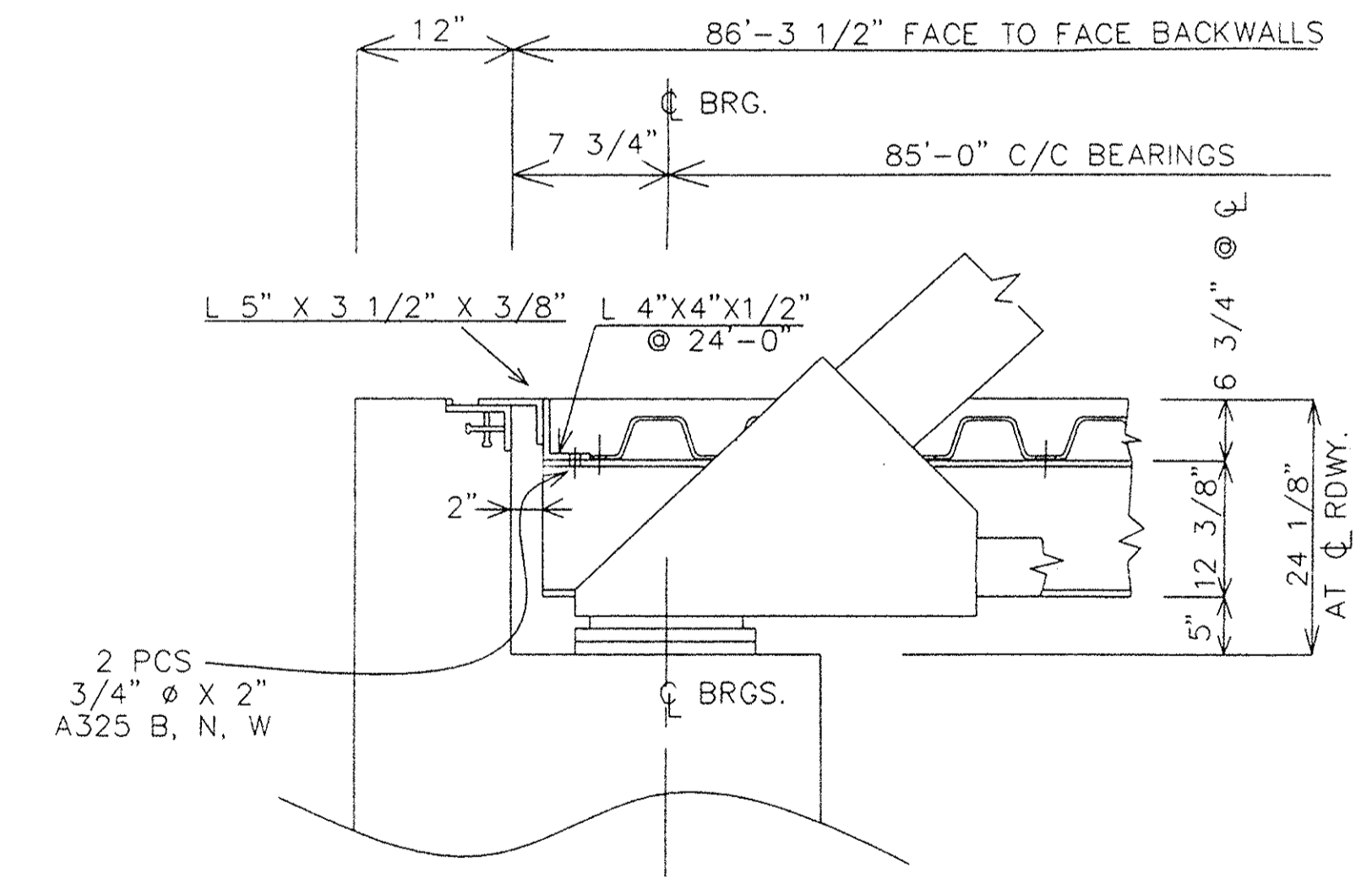
STEEL FLOOR	15 PSF
ASPHALT WEARING SURFACE	40 PSF
FUTURE WEARING SURFACE	25 PSF



FRAMING PLAN



ELEVATION



ABUTMENT DETAIL

GENERAL NOTES

- ALL A572 GALVANIZED TRUSS BRIDGE BRIDGE DESIGNED IN COMPLIANCE WITH AASHTO HS 20-44 LOADING
- ALL NEW STRUCTURAL STEEL TO BE ASTM A572 GR 50 GALVANIZED STEEL
- ALL WELDING PERFORMED IN COMPLIANCE WITH AMERICAN WELDING SOCIETY SPECIFICATIONS
- 5 GA 3" X 9" GALVANIZED CORRUGATED ASTM A-570 STEEL PLATE FLOOR WITH EDGE DAMS SECTION MODULUS 3.288 IN³/FT
- 12 GAGE DEEP BEAM GUARDRAIL GALVANIZED RAIL AND HARDWARE ONLY
- ALL STRUCTURAL BOLTS TO BE ASTM A325 TYPE 1 GALVANIZED UNLESS OTHER NOTED

WELD MEMBERS TO GUSSET PLATES WITH MINIMUM 5/16 INCH FILLET WELDS AT EACH END OF EACH MEMBER.

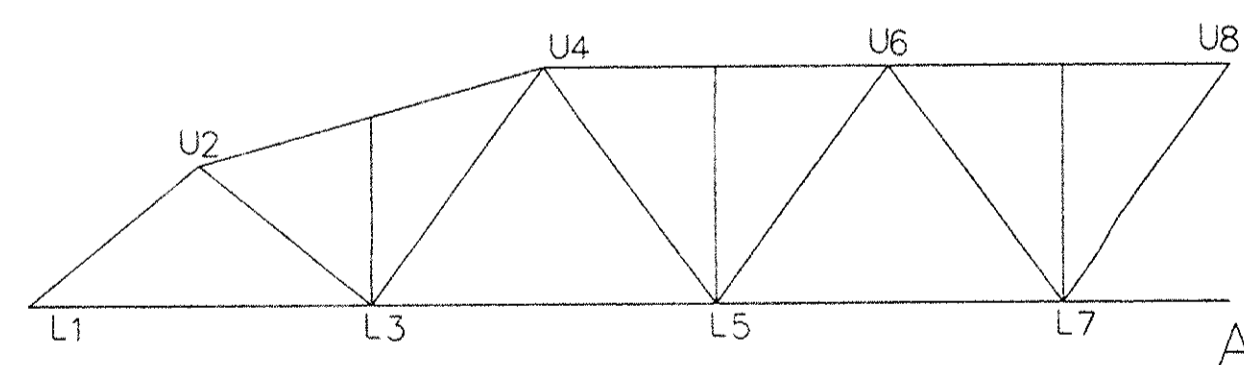
ALL GUSSET PLATES 3/8 INCHES THICK EXCEPT AS NOTED WITH SUFFICIENT FLAT AREAS TO RESIST STRESSES AND SO SHAPED TO PRODUCE AN AESTHETIC ARCHITECTURAL APPEARANCE.

NOTE: DRAWINGS RELATIVE DO NOT SCALE

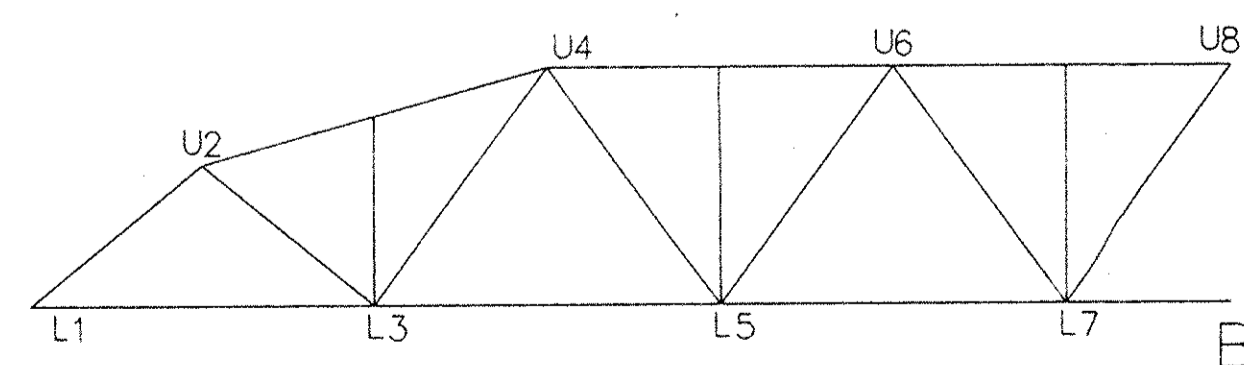
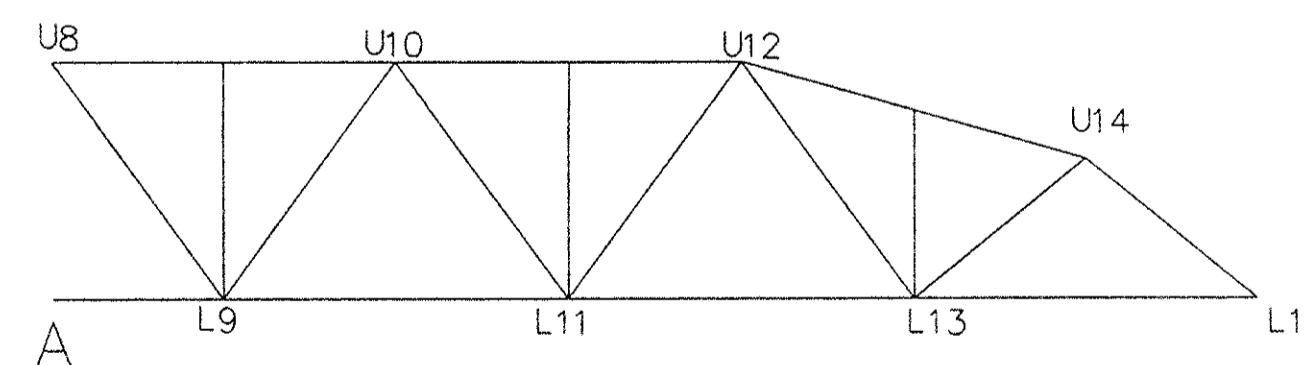
NO.	DATE	REVISIONS	BY	85'-0" TRUSS BRIDGE		24'-0" ROADWAY	
				OPFER-LENTZ ROAD, T.R. # 214			
				OTTAWA COUNTY, OHIO			
				DESIGN AG	DRAWN AG	DATE APRIL 1, 2002	DRAWING OPFER LENTZ
				CHECK/DATE SAF 4/1/02	FABRICATOR OHIO BRIDGE CORP.		SHEET 1 OF 5

BOLT CHART	BOLT TYPE - 3/4"Ø A325 TYPE 1 GALVANIZED					
	SIZE					
LOCATION	1 3/4"	2"	2 1/4"	2 1/2"	2 3/4"	3"
FLOOR BEAM TO TRUSS				96		
KNEE BRACE TO TRUSS				96		
KNEE BRACE TO FLOOR BEAM				72		
STRINGER TO FLOOR BEAM				168		
STRINGER TO STR. END BEAM			56			
EXP. JOINT TO STRINGERS		28				
TOTAL REQ'D		28	56	432		
TOTAL ORDERED		38	66	454		

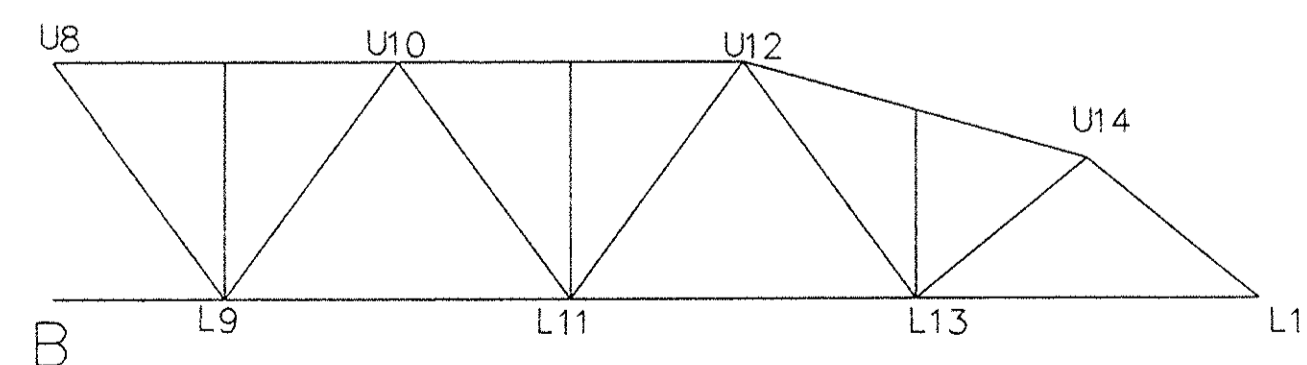
BOLT CHART	BOLT TYPE - 1"Ø A325 TYPE 1 GALVANIZED					
	SIZE					
LOCATION	2 1/4"	2 1/2"	2 3/4"	3"	3 1/2"	4"
TOP CHORD TRUSS CONN.		24	48			
BOTTOM CHORD TRUSS CONN.			64			64
TOTAL REQ'D		24	112			64
TOTAL ORDERED		34	122			74



TRUSS 1
TRUSS MARKING DIAGRAM



TRUSS 2
TRUSS MARKING DIAGRAM

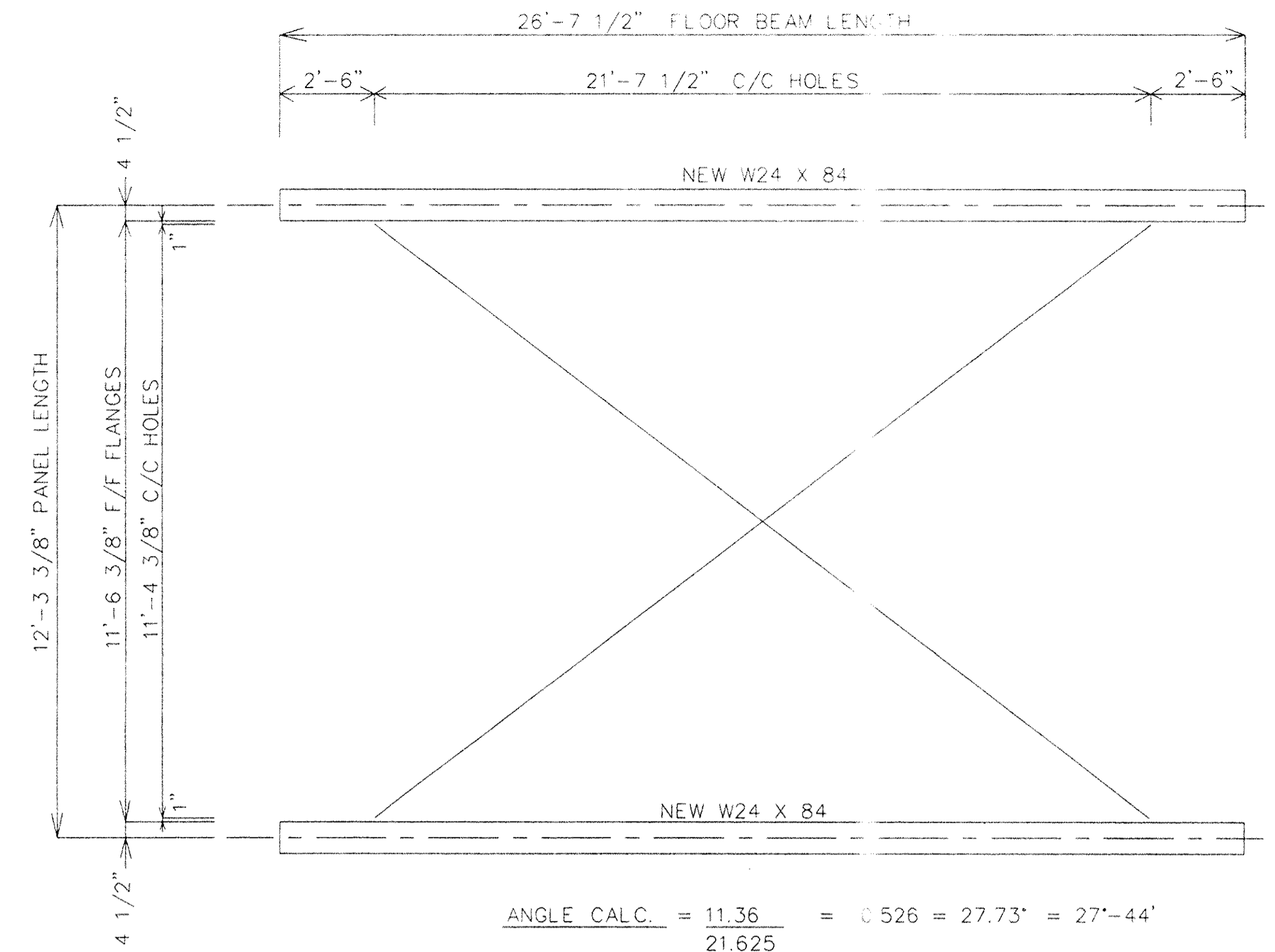
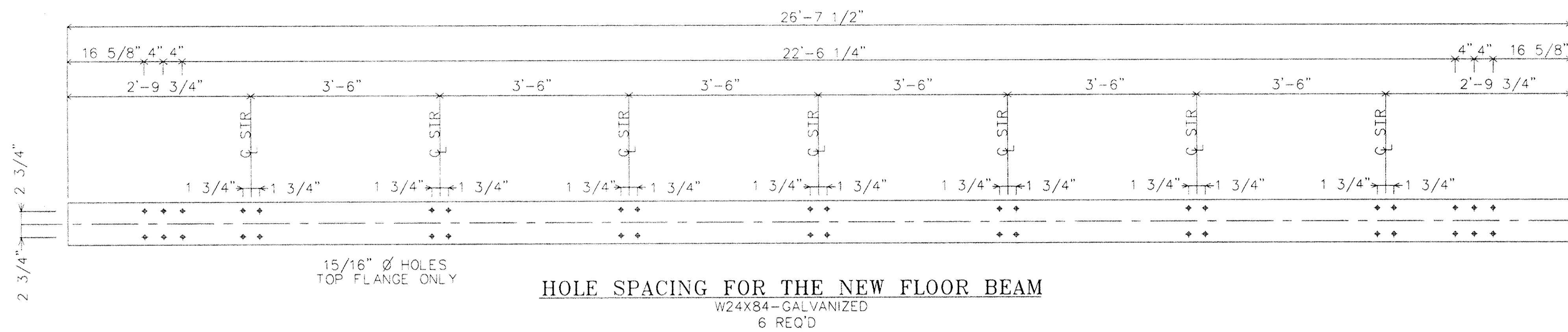


NOTE: DRAWINGS RELATIVE DO NOT SCALE

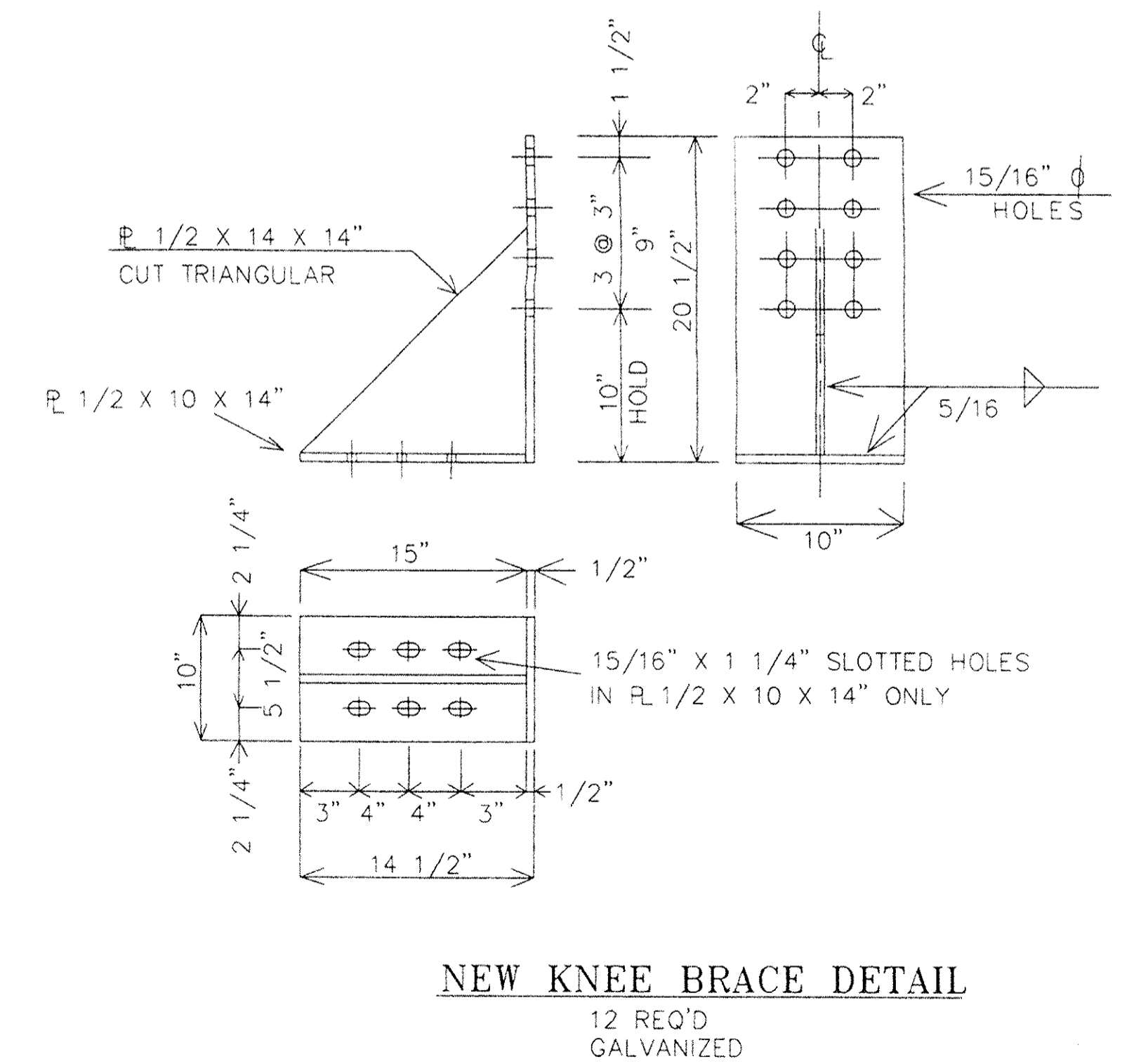
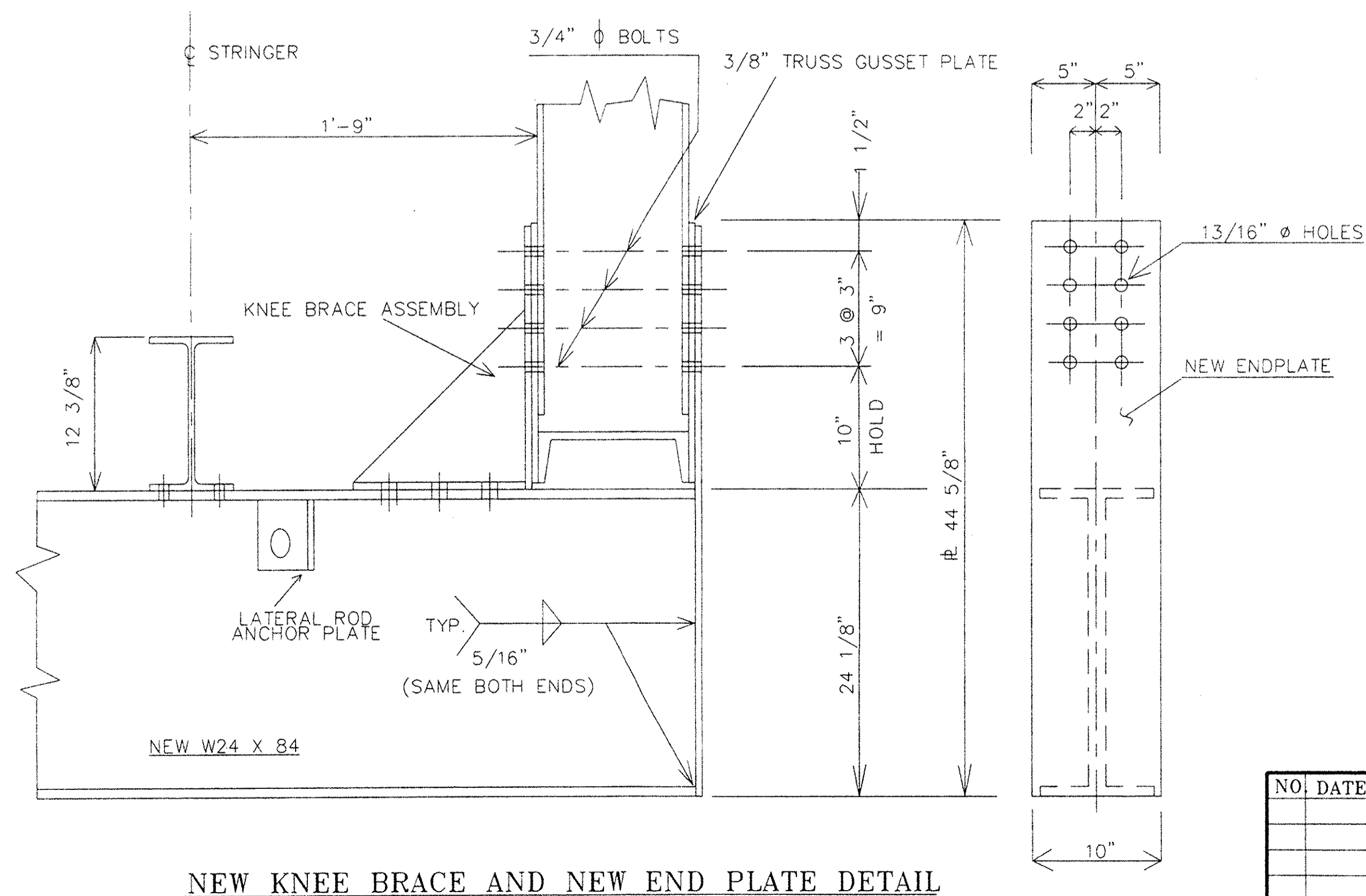
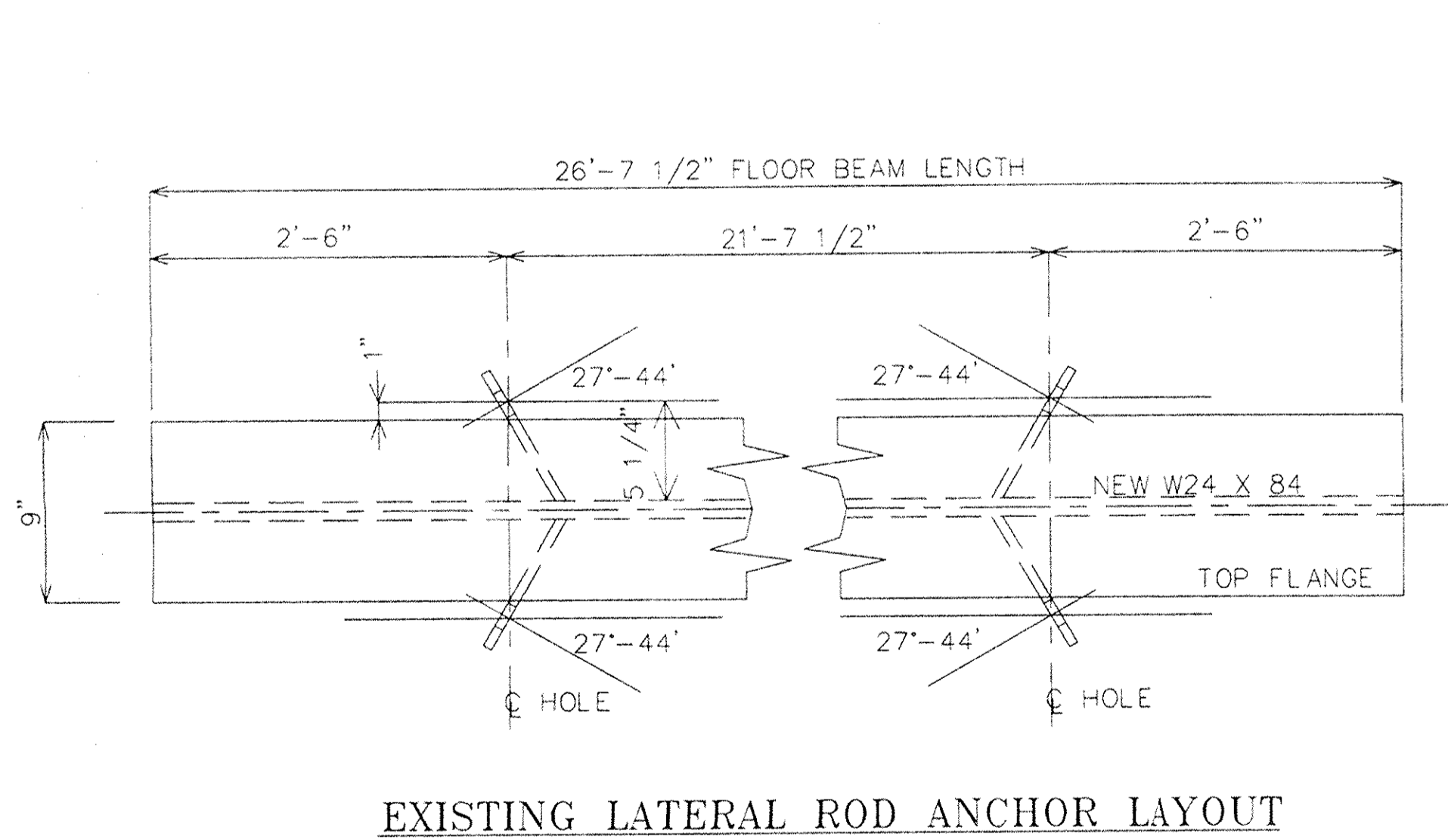
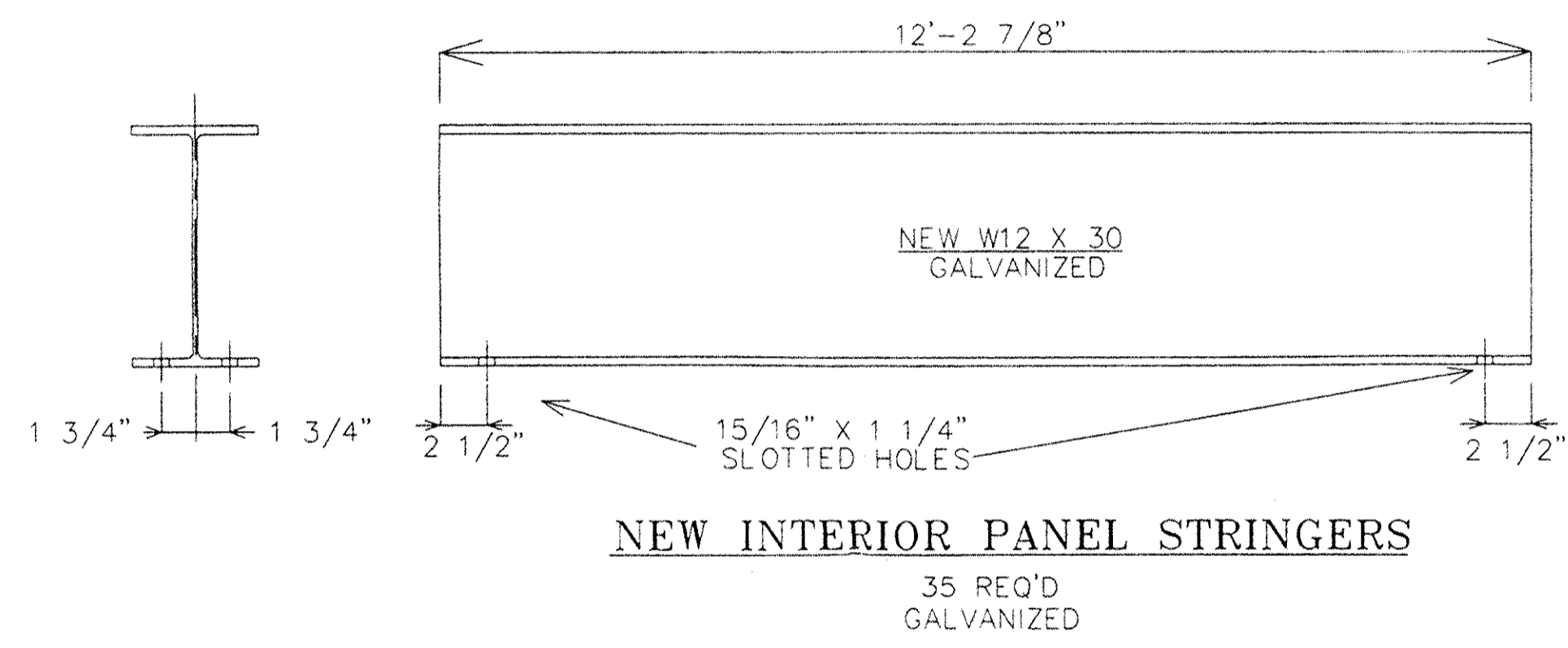
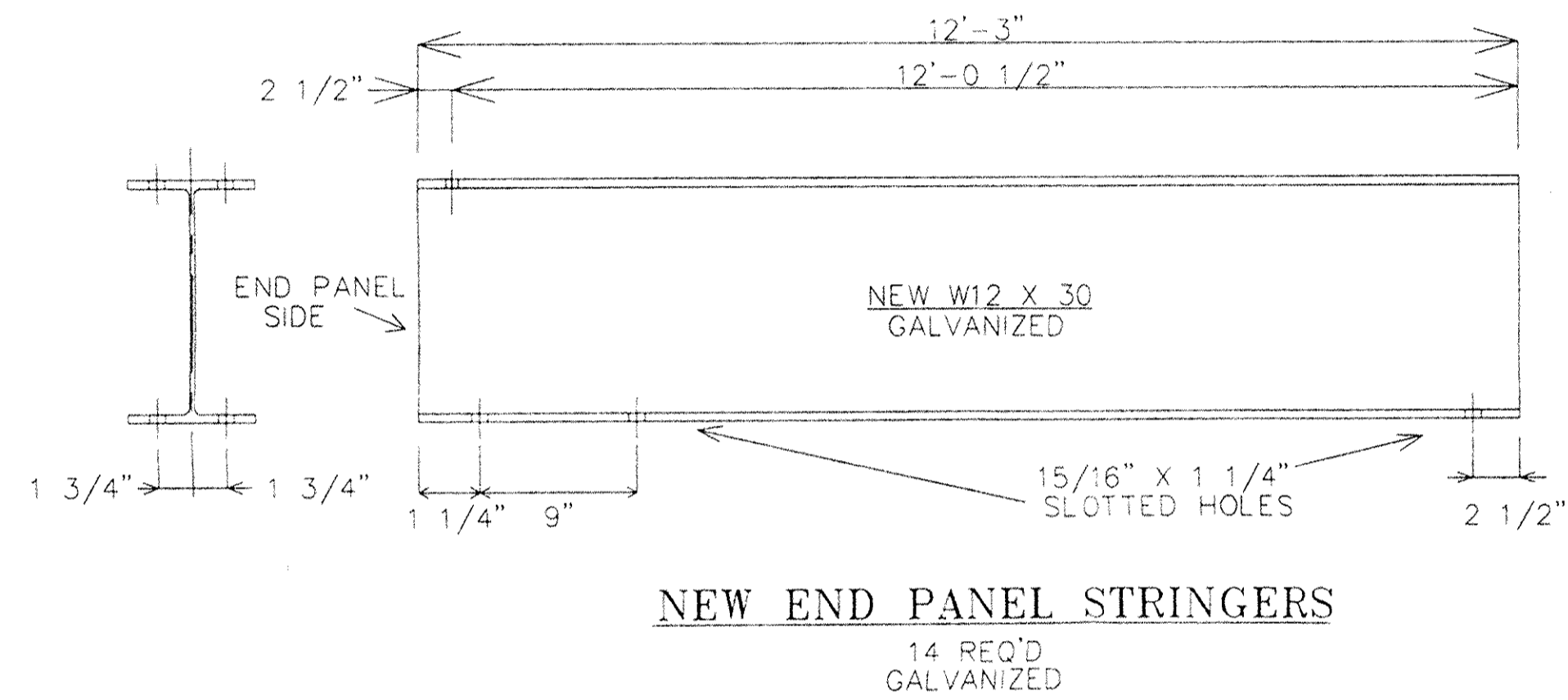
MATERIAL SCHEDULE	
QUANTITY	DESCRIPTION
1 PC.	EXISTING TRUSS 1 - SECTION A - MALE TOP CHORD - GALVANIZED
1 PC.	EXISTING TRUSS 1 - SECTION A - FEMALE TOP CHORD - GALVANIZED
1 PC.	EXISTING TRUSS 2 - SECTION B - MALE TOP CHORD - GALVANIZED
1 PC.	EXISTING TRUSS 2 - SECTION B - FEMALE TOP CHORD - GALVANIZED
6 PCS	NEW FLOOR BEAMS-W24 X 84 @ 26'-7 1/2" WITH 2 END PLATES - R 1/2" X 10" X 44 5/8" - GALVANIZED
35 PCS	NEW INTERIOR PANEL STRINGERS - W12 X 30 @ 12'-2 7/8" - GALVANIZED
14 PCS	NEW END PANEL STRINGERS - W12 X 30 @ 12'-3" - GALVANIZED
12 PCS	NEW KNEE BRACE ASSEMBLY 1 PC. - R 1/2" X 10" X 20, 1/2" - GALVANIZED 1 PC. - R 1/2" X 14" X 14" - GALVANIZED 1 PC. - R 1/2" X 10" X 14" - GALVANIZED
14 PCS	NEW LATERAL RODS - 1" ROUND X 25'-0" WITH 2 WASHERS & 2 NUTS - GALVANIZED
2 PCS	NEW STRINGER END BEAM - TS 4 X 4 X 3/8" @ 23'-0" - GALVANIZED
12 PCS	NEW ANGLE A - L 5" X 3 1/2" X 3/8" @ 6" - GALVANIZED
1 PC.	NEW ANGLE C - L 4" X 4" X 3/8" @ 6 1/2" - GALVANIZED
1 PC.	NEW ANGLE D - L 4" X 4" X 3/8" @ 6 1/2" - GALVANIZED
14 PCS	NEW PLATE A - R 1/2" X 7" X 11 1/2" - GALVANIZED
14 PCS	NEW PLATE B - R 1/2" X 6" X 6" - GALVANIZED
2 PCS	NEW SHELF ANGLE - L 4" X 4" X 1/2" @ 24'-0" - GALVANIZED
4 PCS	NEW OVER ANGLE - L 5" X 3 1/2" X 3/8" @ 12'-0" - GALVANIZED
2 ASSYS.	NEW TRUSS EXPANSION BEARINGS ASSEMBLY
2 ASSYS.	NEW TRUSS FIXED BEARINGS ASSEMBLY
38 PCS	NEW A325 TYPE 1 GALV. B, N, W - 3/4 Ø X 2"
66 PCS	NEW A325 TYPE 1 GALV. B, N, W - 3/4 Ø X 2 1/4"
454 PCS	NEW A325 TYPE 1 GALV. B, N, W - 3/4 Ø X 2 1/2"
34 PCS	NEW A325 TYPE 1 GALV. B, N, W - 1 Ø X 2 1/2"
122 PCS	NEW A325 TYPE 1 GALV. B, N, W - 1 Ø X 2 3/4"
74 PCS	NEW A325 TYPE 1 GALV. B, N, W - 1 Ø X 4"
24 PCS	NEW ANCHOR BOLT - 3/4 Ø X 16" - GALVANIZED
8 PCS	NEW ANCHOR BOLT - 1 1/4 Ø X 22" - GALVANIZED
14 PCS	NEW GUARDRAIL @ 12'-6" - GALVANIZED
4 PCS	NEW 5/8 Ø X 10" POST BOLT, NUT &, WASHER - GALVANIZED
28 PCS	NEW 5/8 Ø X 2" POST BOLT, NUT &, WASHER - GALVANIZED
128 PCS	NEW 5/8 Ø X 1 1/4" GR. SPLICE BOLT AND NUT - GALVANIZED
58 PCS	NEW 5 GA 3" X 9" BRIDGE FLOOR @ 24'-0" - GALVANIZED
14 PCS	NEW EDGE DAMS - R 3/16" X 5" X 12'-0" - GALVANIZED
16 PCS	NEW SPLASH GUARD R 1/4" X 12" X 4'-0" - GALVANIZED
4 PCS	WOOD POSTS
4 PCS	FLARED ENDS
12 PCS	NEW BEARING PLATE R 1/2" X 8" X 14" - GALVANIZED
2 PCS	NEW BOTTOM CHORD SPLICE PLATE - R 1/2" X 10" X 61" - GALVANIZED
4 PCS	NEW BOTTOM CHORD SPLICE PLATE - R 1/2" X 5" X 57 1/2"

NO.	DATE	REVISIONS	BY

85'-0" TRUSS BRIDGE		24'-0" ROADWAY	
OPFER-LENTZ ROAD, T.R. # 214			
OTTAWA COUNTY, OHIO			
DESIGN AG	DRAWN AG	DATE APRIL 1, 2002	DRAWING OPFER LENTZ
CHECK/DATE SAF 4/1/02	FABRICATOR OHIO BRIDGE CORP.	SHEET 2 OF 5	



LATERAL ROD LENGTHS
14 RODS - 1" Ø @ 25'-0" WITH 8" THREAD EACH END



NOTE: DRAWINGS RELATIVE DO NOT SCALE

NO.	DATE	REVISIONS	BY	85'-0" TRUSS BRIDGE		24'-0" ROADWAY	
				OPFER-LENTZ ROAD, T.R. # 214			
				OTTAWA COUNTY, OHIO			
				DESIGN AG	DRAWN AG	DATE APRIL 1, 2002	DRAWING OPFER LENTZ
				CHECK/DATE SAF 4/1/02	FABRICATOR OHIO BRIDGE CORP.		SHEET 3 OF 5

