

OTTAWA COUNTY ENGINEERS OFFICE

REFERENCE NO. 30-7-15-D
WEST QUARTER POST SEC. 30
CARROLL TWP.
SHEET 1 OF 1.

ROUTE: C-23 BENTON-CARROLL RD.
@ T-97 BIER RD.

TOWNSHIP: CARROLL

SECTION: 30

T 7 NR 15 E.

NORTHING:

EASTING:

DATUM:

PERSONNEL:
M. WITTMAN, P.S.
J. ALLEN
E. KOCH
C. MILLER

DATE / WEATHER / TEMP:
MAY 29, 2009
SUNNY W
70° F



MONUMENT INFORMATION

MONUMENT TYPE: FD STONE
ON SURFACE - BELOW: 1.02'
LEFT - CL PAV'T - RIGHT: 6.90'
TRIANGULAR STONE: 5" x 6"

USED CENTER OF STONE

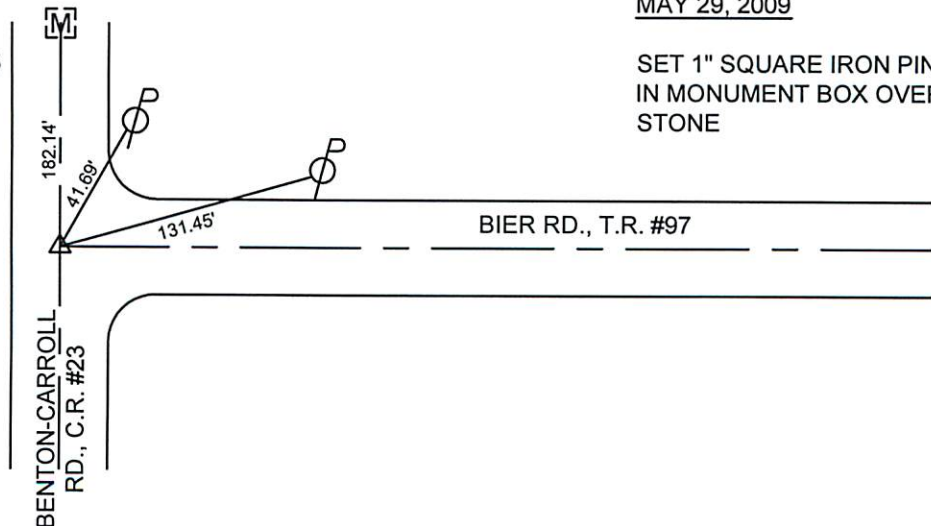


MISC. INFORMATION

STONE WAS COVERED AND SURROUNDED BY
PIECES OF CLAY TILE

THIS IS A CLOSING CORNER

FD. 1" SQ. IRON PIN
IN MON. BOX
EAST 1/4 POST BENTON 25



MAY 29, 2009

SET 1" SQUARE IRON PIN
IN MONUMENT BOX OVER
STONE