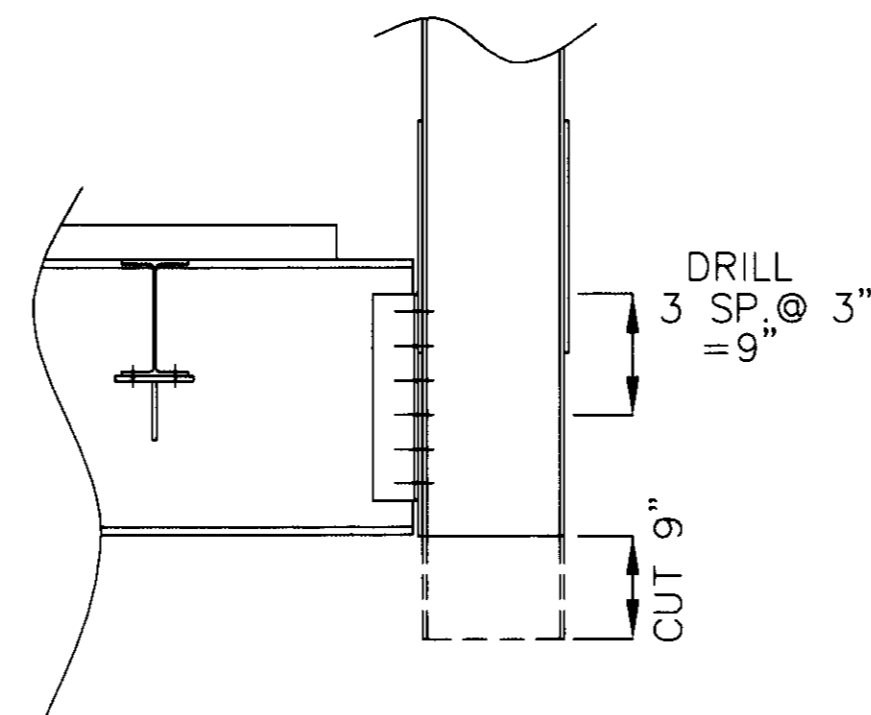
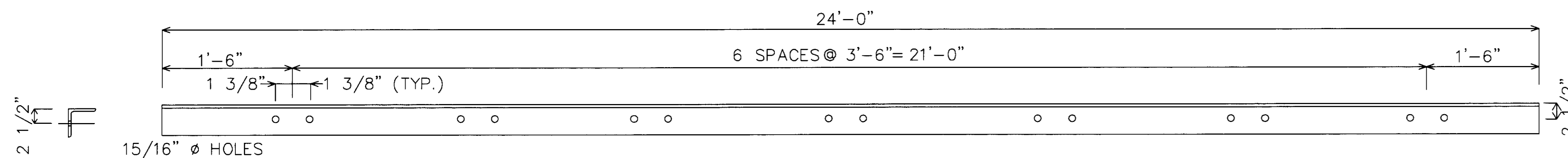


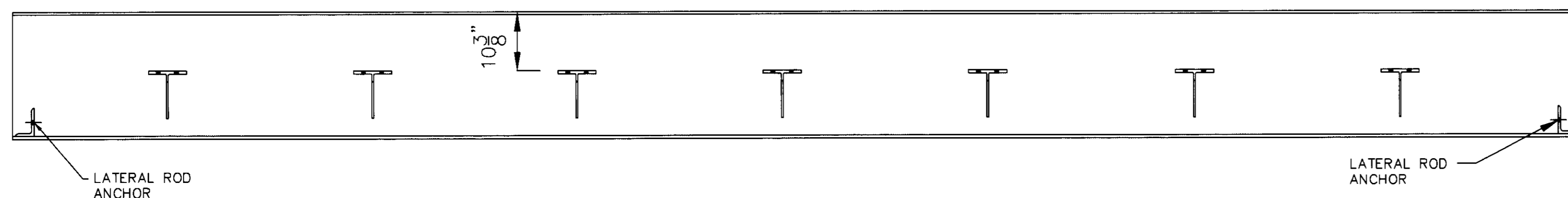
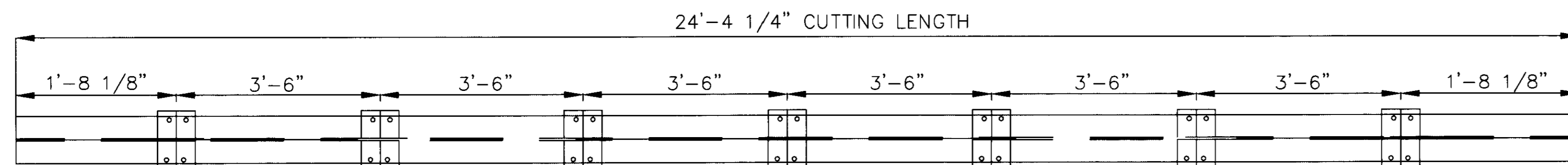
EXISTING FLOOR BEAM CONNECTION DETAIL



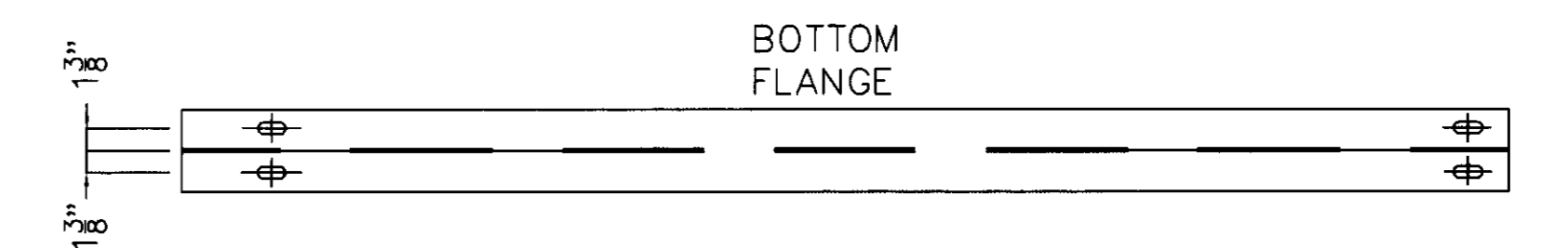
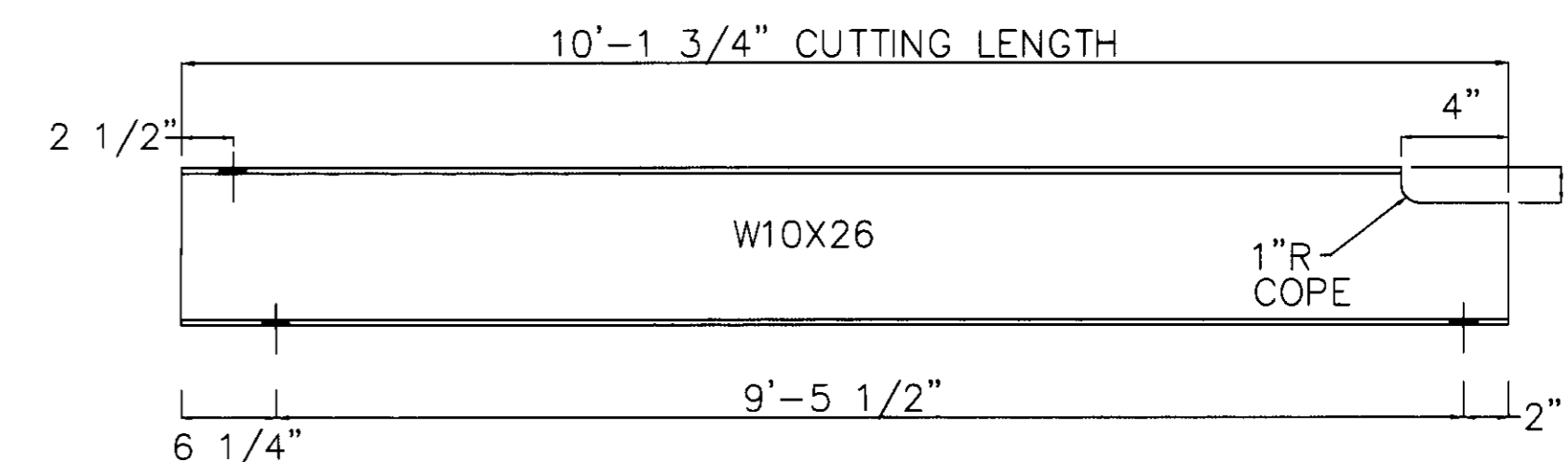
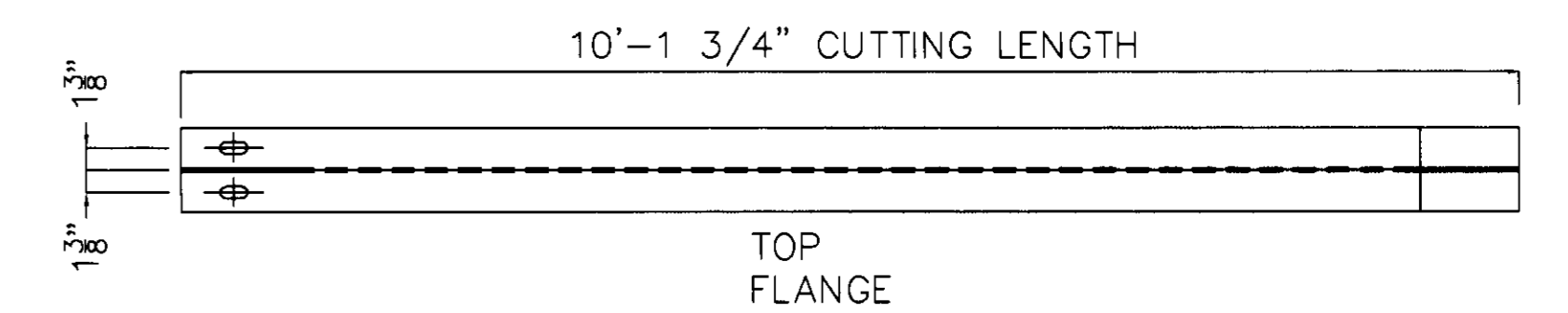
NEW FLOOR BEAM CONNECTION DETAIL



**SHELF ANGLE**  
L 4 X 4 X 3/8"  
2 REQ'D

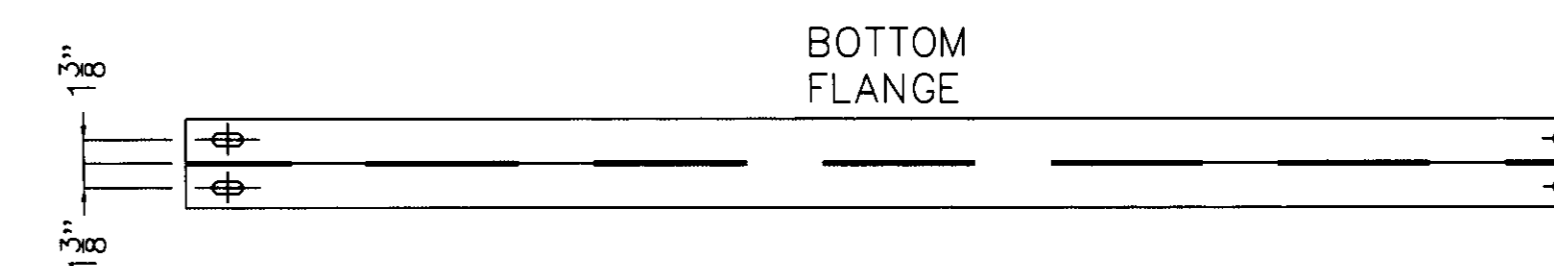
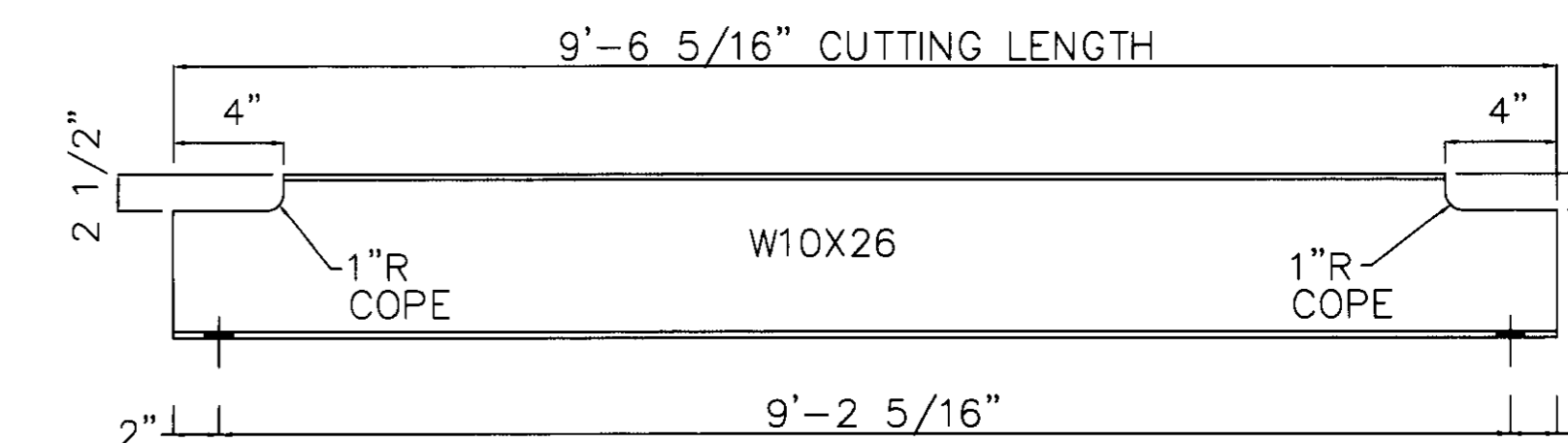
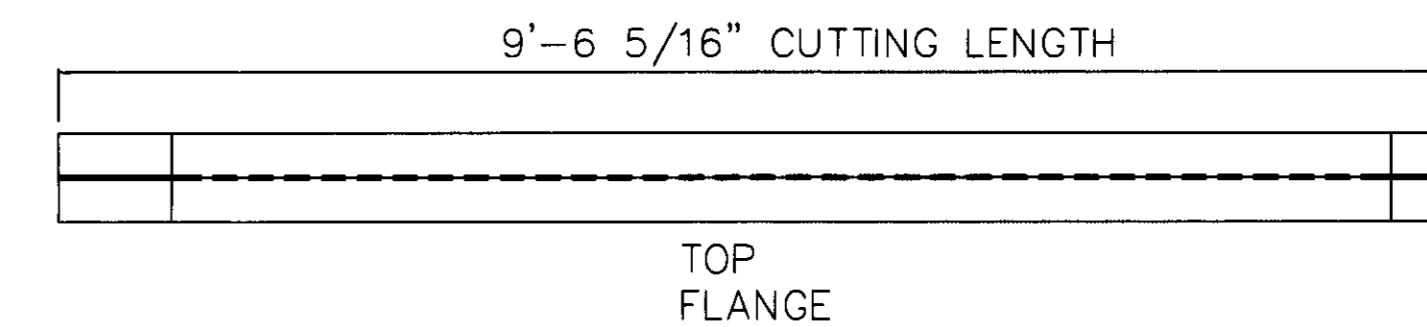


**FLOOR BEAM SIDE DETAIL-3 REQ'D**  
W24X76



ALL HOLES  
15/16" X 1 1/4"  
SLOTTED

**END PANEL STRINGERS - 14 REQ'D**



ALL HOLES  
15/16" X 1 1/4"  
SLOTTED

**INTERIOR PANEL STRINGERS - 14 REQ'D**

NOTE: DRAWINGS RELATIVE DO NOT SCALE

NO	DATE	REVISIONS	BY	38'-11" TRUSS BRIDGE 24'-0" ROADWAY WIDTH			
1	6/7/01	NO. OF BEAMS REQ'D CHANGED	AG	CARROLL TOWNSHIP ROAD 102			
				BRIDGE NO. CAR-102-1.60			
				OTTAWA COUNTY, OHIO			
		DESIGN AG		DRAWN AG	DATE JUNE 6, 2001	DRAWING NO. CAR-102-1.60	SHEET
		CHECK/DATE SAF		OHIO BRIDGE CORP.			4 OF 4