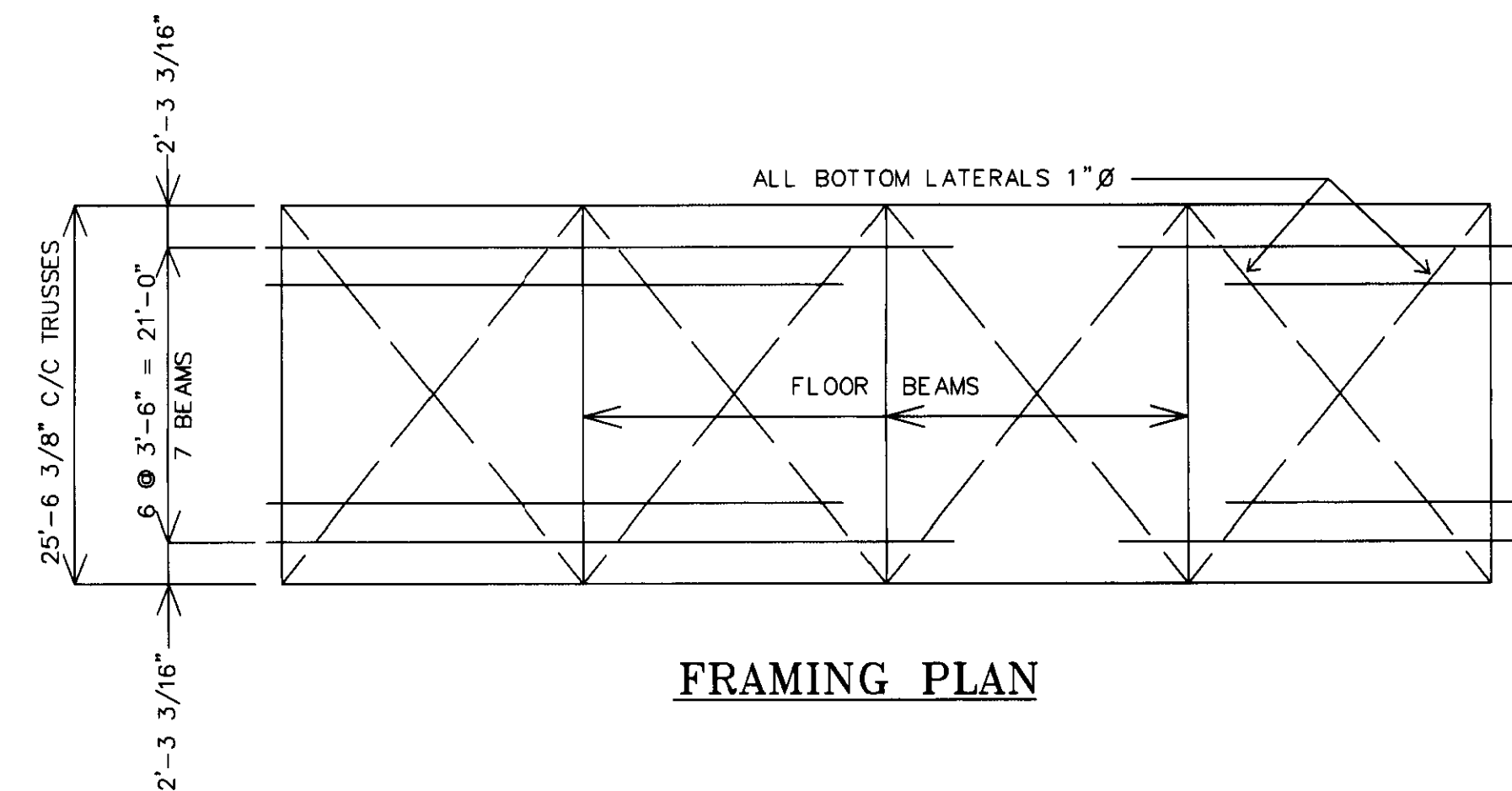
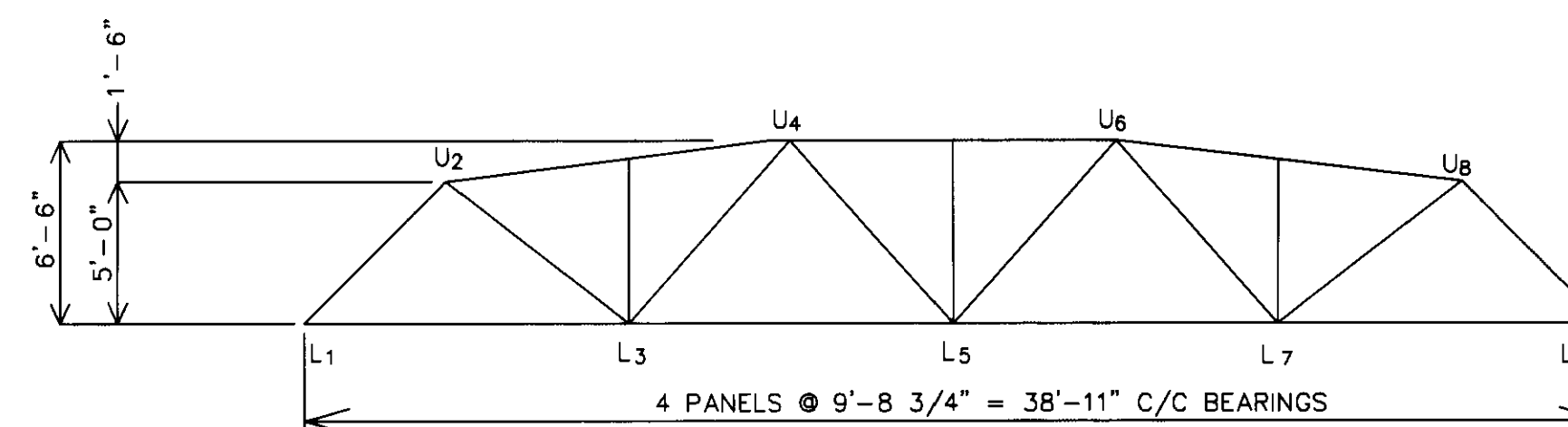


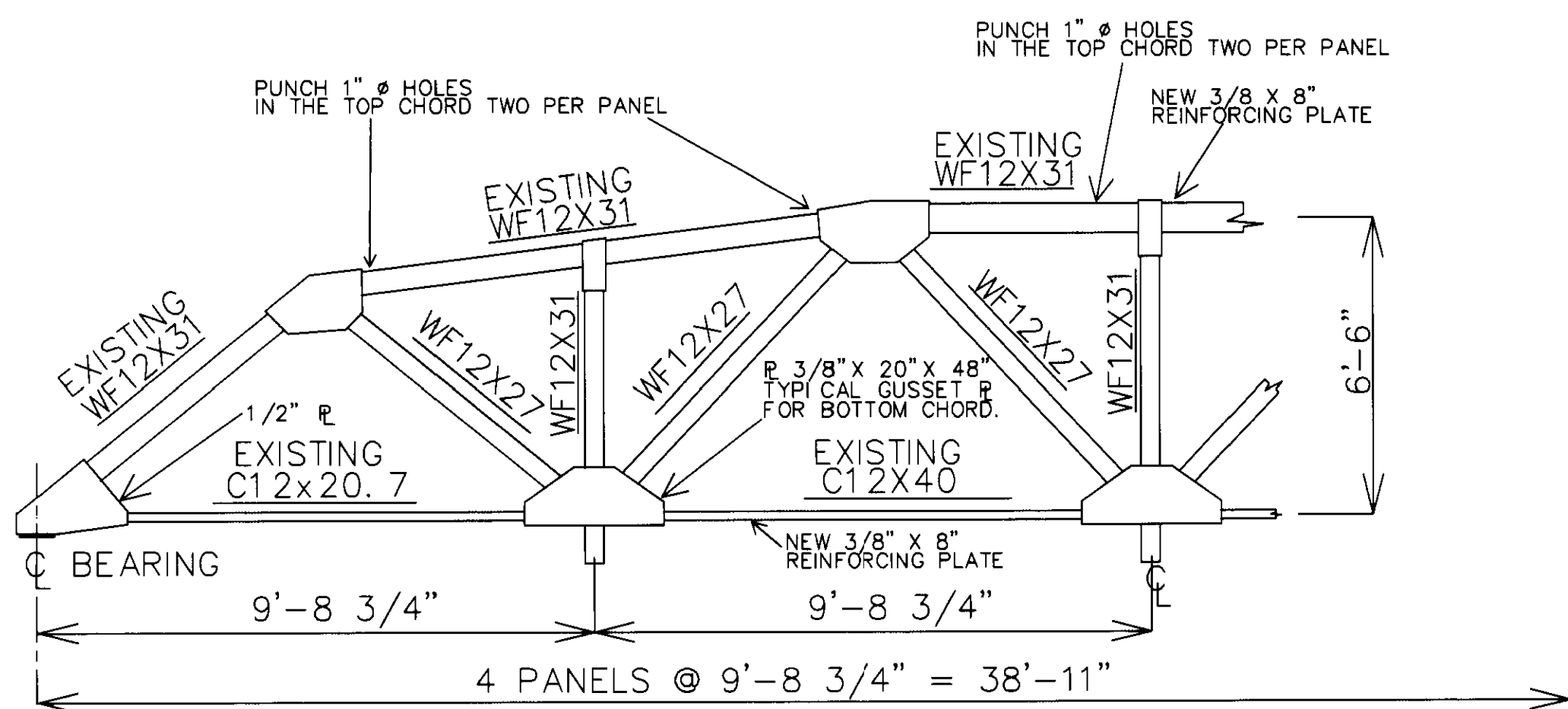
TRUSS BRIDGE SECTION VIEWS



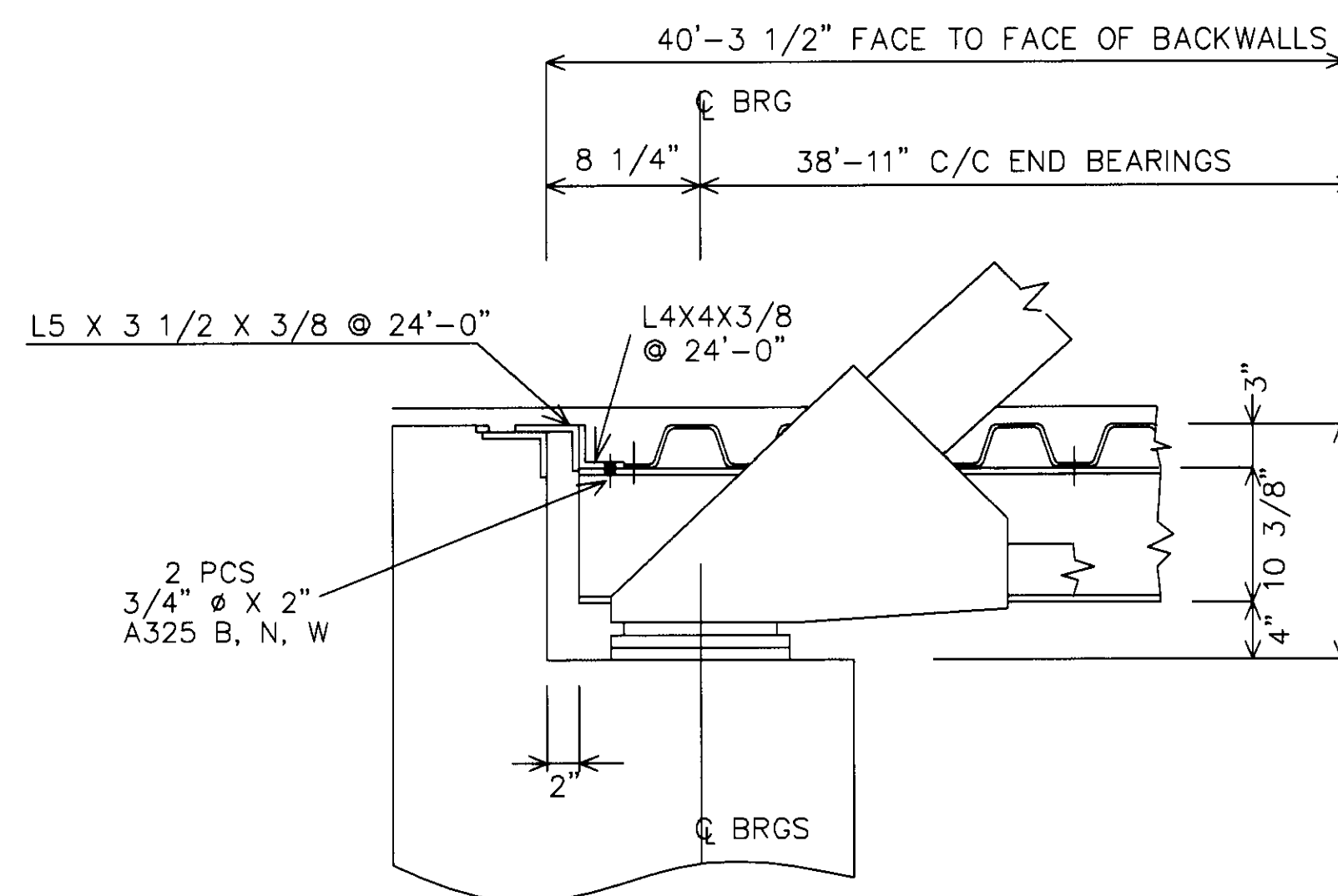
FRAMING PLAN



ELEVATION



TRUSS BRIDGE DETAIL



ABUTMENT DETAIL

- GENERAL NOTES**
- EXISTING TRUSS GALVANIZED
 - BRIDGE DESIGNED IN COMPLIANCE WITH AASHTO HS-20-44 LOADING
 - ALL SUPERSTRUCTURE STRUCTURAL STEEL ASTM A572 GR 50 GALVANIZED STEEL
 - ALL WELDING PERFORMED IN COMPLIANCE WITH AMERICAN WELDING SOCIETY SPECIFICATIONS
 - 5 GA 3" X 9" GALVANIZED CORRUGATED ASTM A-570 STEEL PLATE FLOOR WITH EDGE DAMS SECTION MODULUS 3.288 IN³/FT DECK LAYING WIDTH TO BE 18"
 - 12 GAGE DEEP BEAM GUARDRAIL GALVANIZED RAIL AND HARDWARE ONLY
 - ALL STRUCTURAL BOLTS TO BE ASTM A325 TYPE 1 GALVANIZED UNLESS OTHER NOTED

DESIGN DEAD LOADS

STEEL FLOOR	15 PSF
ASPHALT WEARING SURFACE	40 PSF
FUTURE WEARING SURFACE	25 PSF

NOTE: DRAWINGS RELATIVE DO NOT SCALE

NO	DATE	REVISIONS	BY	38'-11" TRUSS BRIDGE 24'-0" ROADWAY WIDTH CARROLL TOWNSHIP ROAD 102 BRIDGE NO. CAR-102-1.60 OTTAWA COUNTY, OHIO			
				DESIGN AG	DRAWN AG	DATE JUNE 6, 2001	DRAWING NO. CAR-102-1.60
				CHECK/DATE SAF	OHIO BRIDGE CORP.		SHEET 1 OF 4