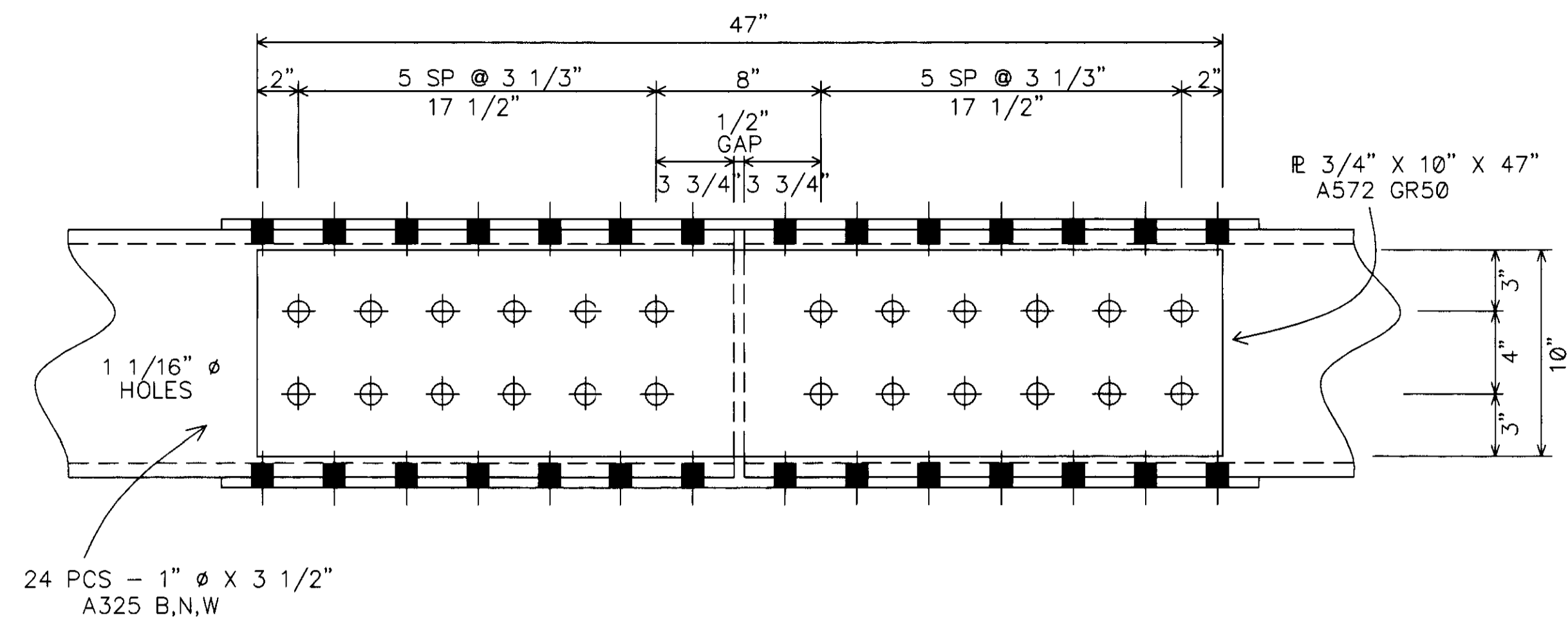
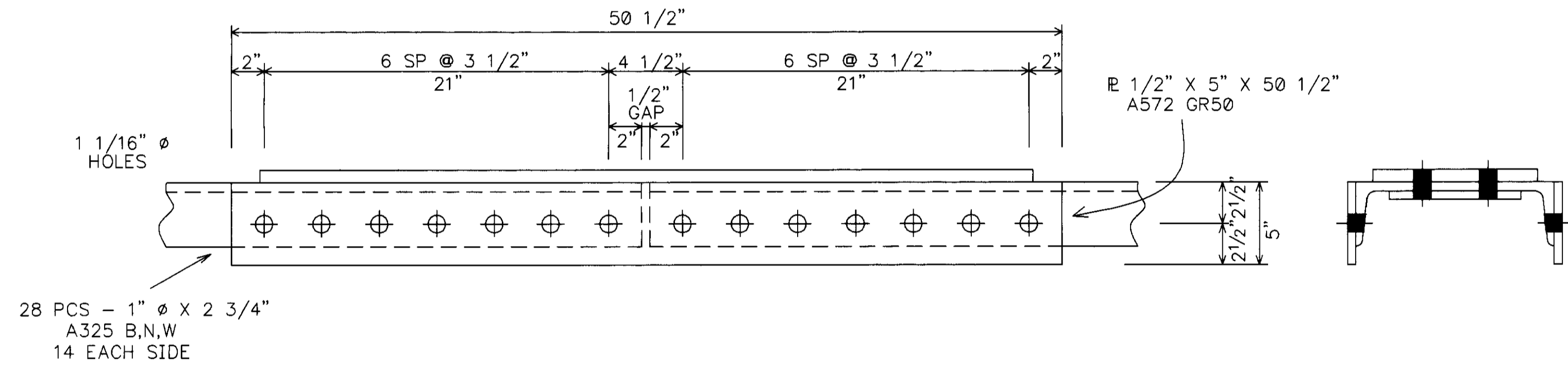


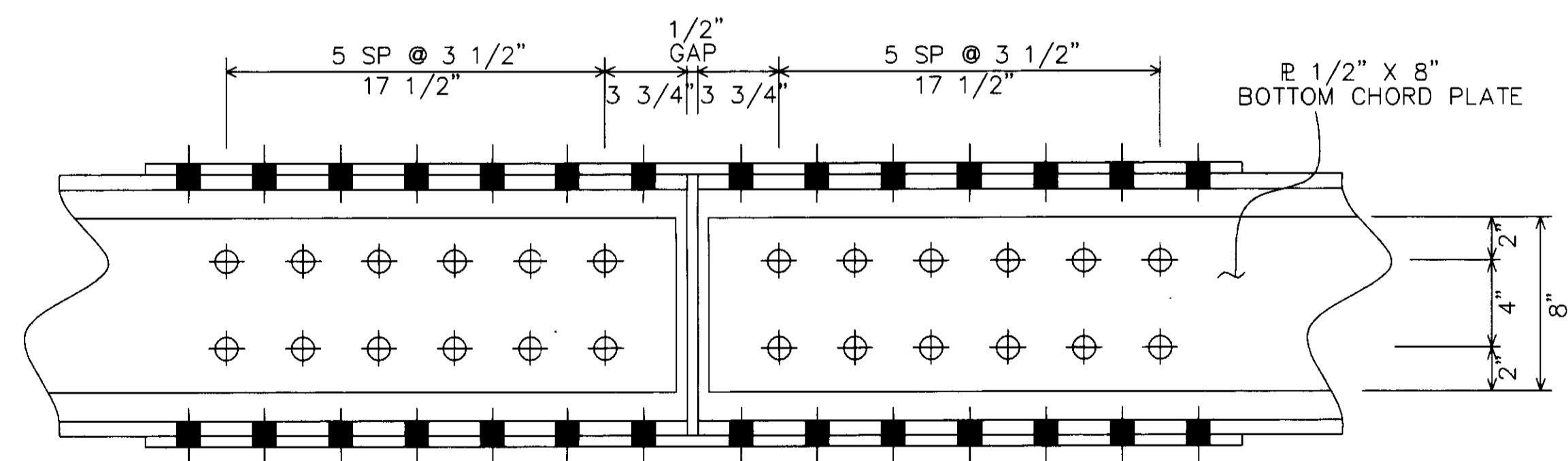
TOP VIEW



SIDE VIEW

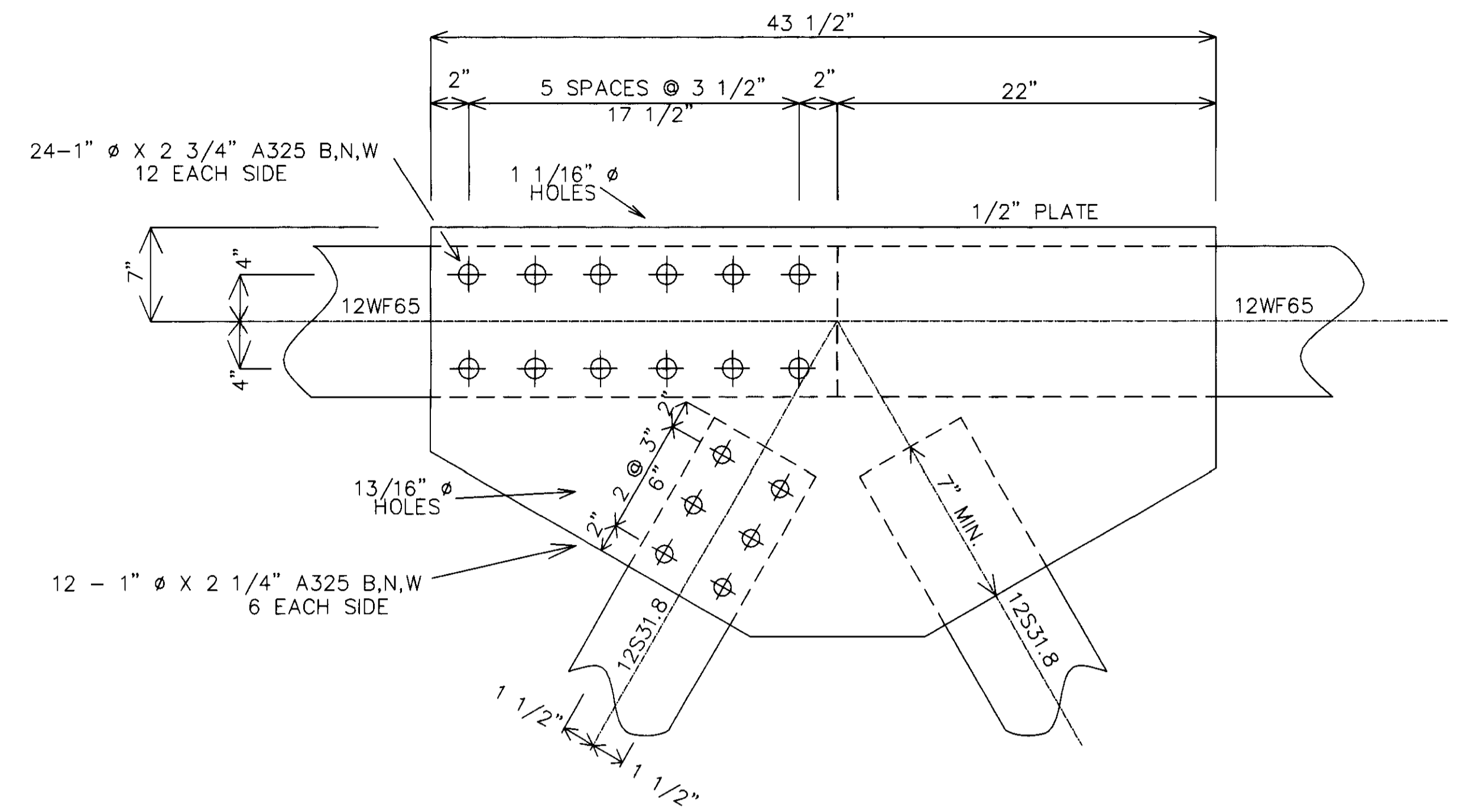


BOTTOM VIEW



L5-L7 CONNECTION DETAIL

NOTE: DRAWINGS RELATIVE (DO NOT SCALE)



U6 GUSSET PLATE

NO.	DATE	REVISIONS	BY	77' TRUSS REHAB. 24' ROADWAY WIDTH	
				DUFF - WASHA ROAD	
				BRIDGE NO. BEN-24-0.07	
				OTTAWA COUNTY, OHIO	
				DESIGN SAF	DRAWN SAF
				DATE APR. 8, 2002	DRAWING NO. DUFF-WASHA
				CHECK/DATE	FABRICATOR OHIO BRIDGE
					SHEET 6 OF 8