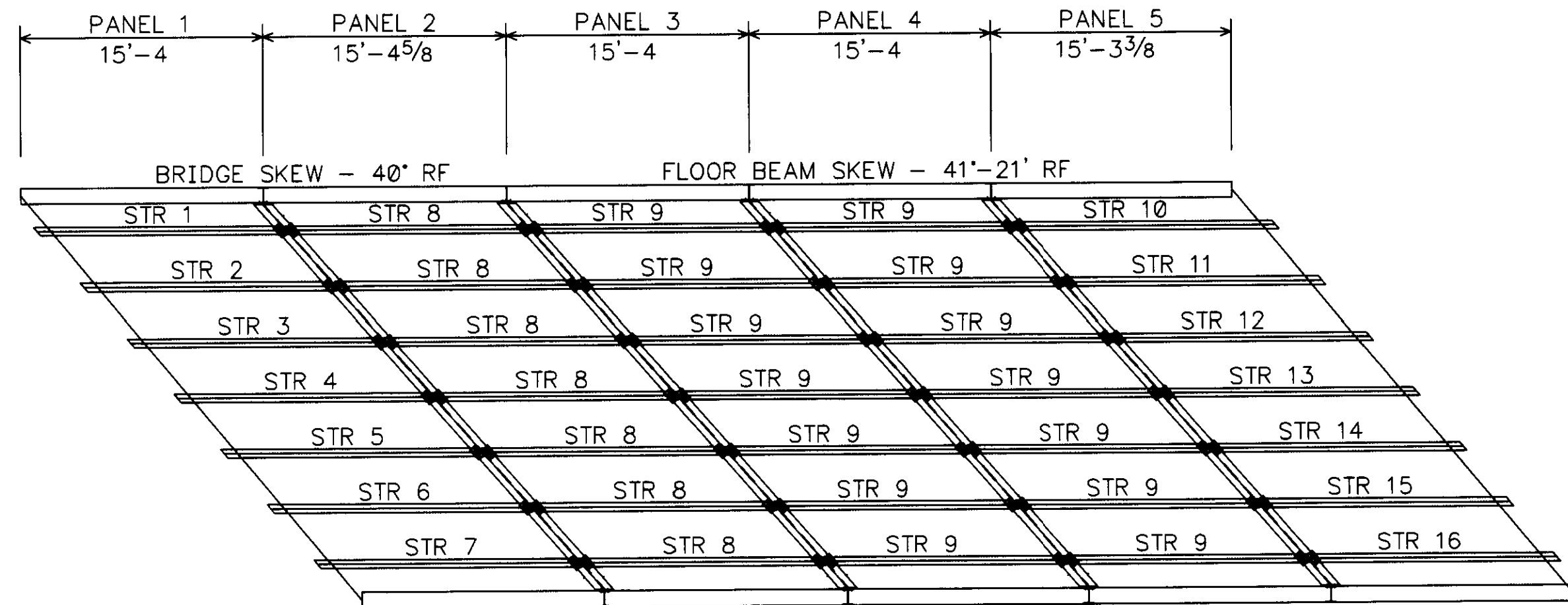
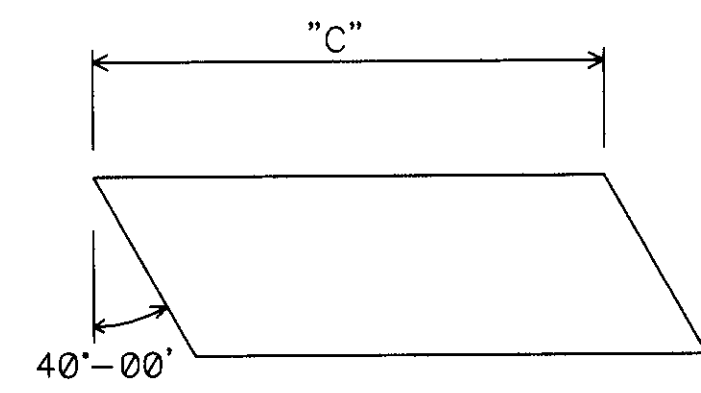


EXPANSION CHANNEL

MC6X15.1
2 REQ'D



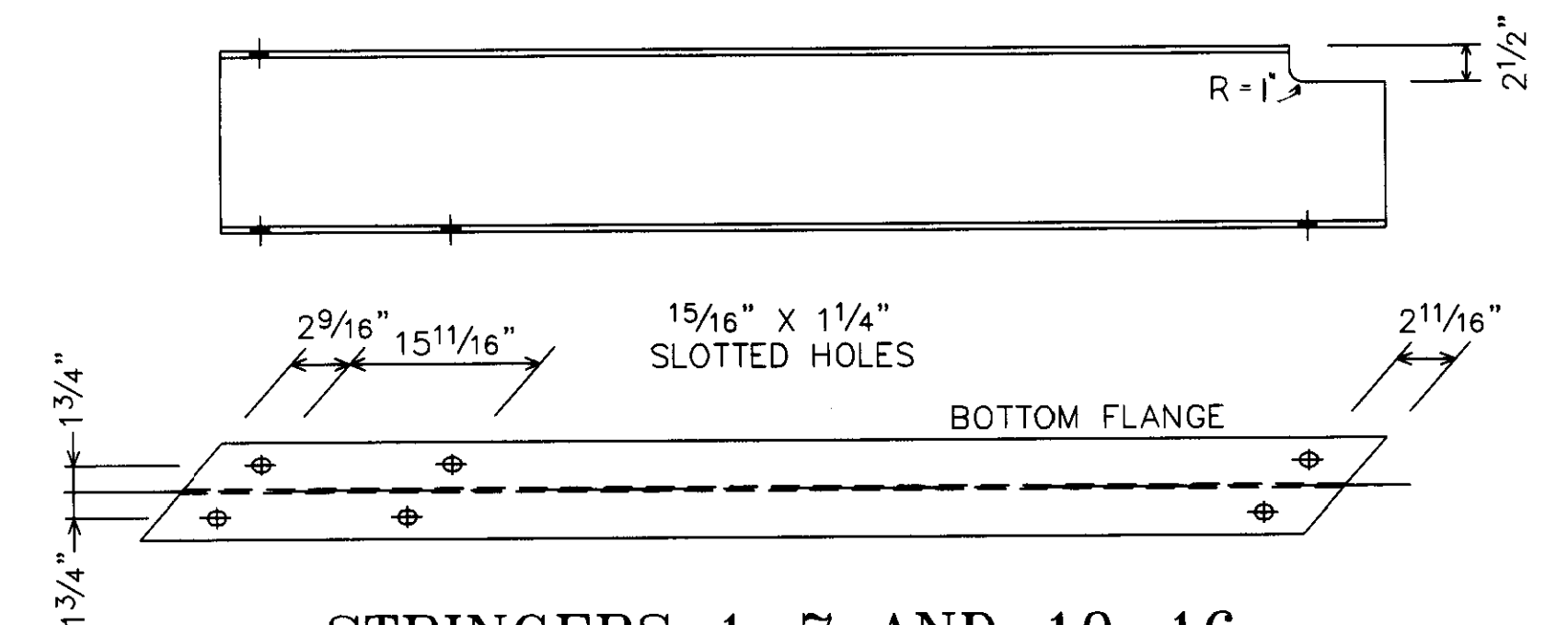
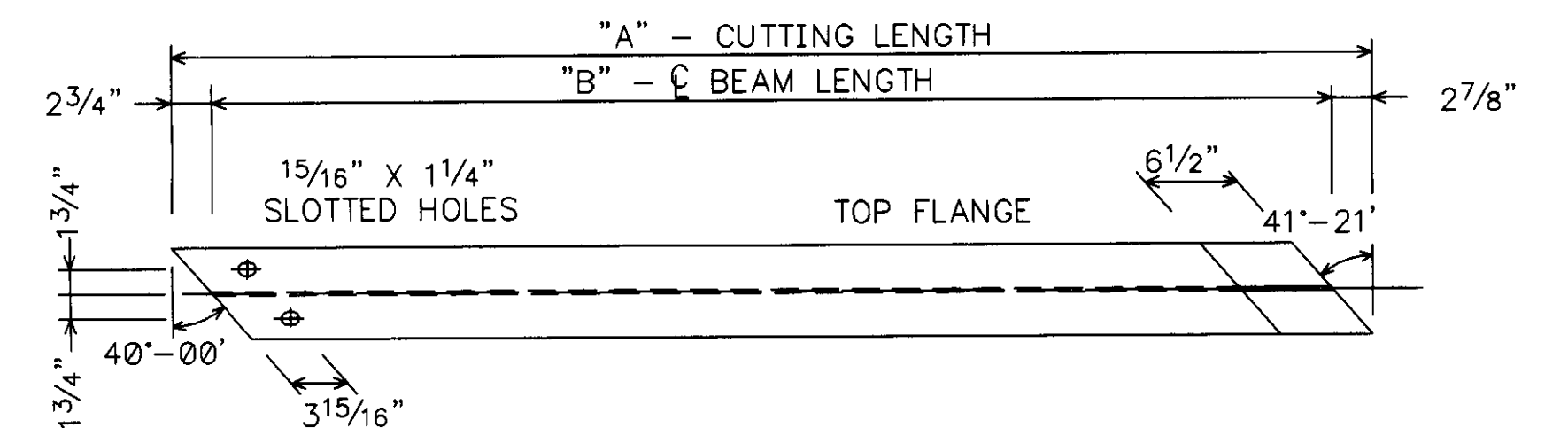
STRINGER LAYOUT



EXPANSION CHANNEL PLATES

R 3/8" X 6"

MARK	QTY	"C"
R A	2	1'-6 3/16"
R B	12	3'-8"
R C	2	1'-6 1/8"

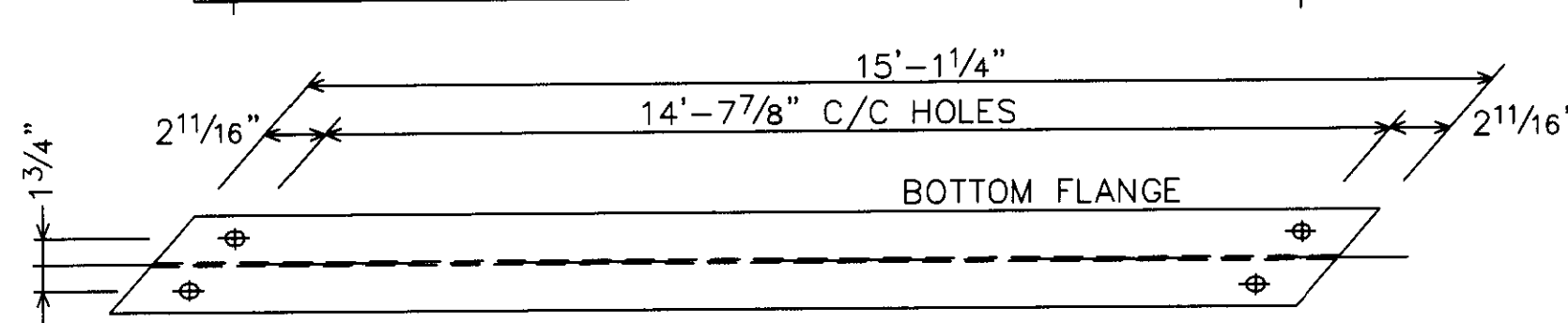
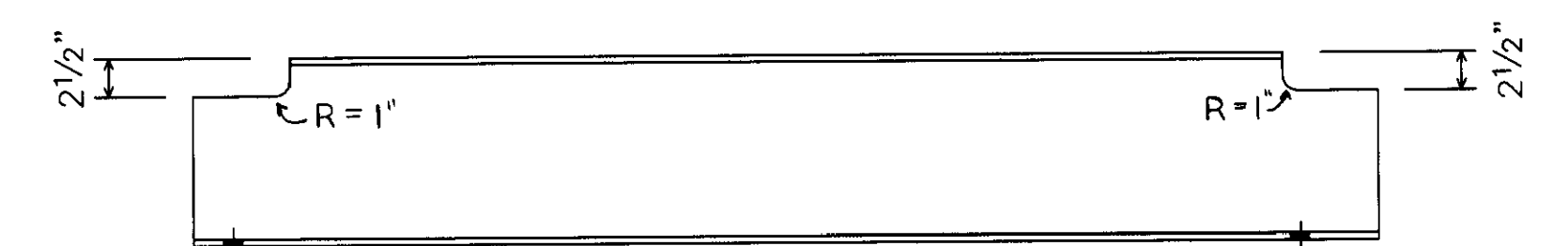
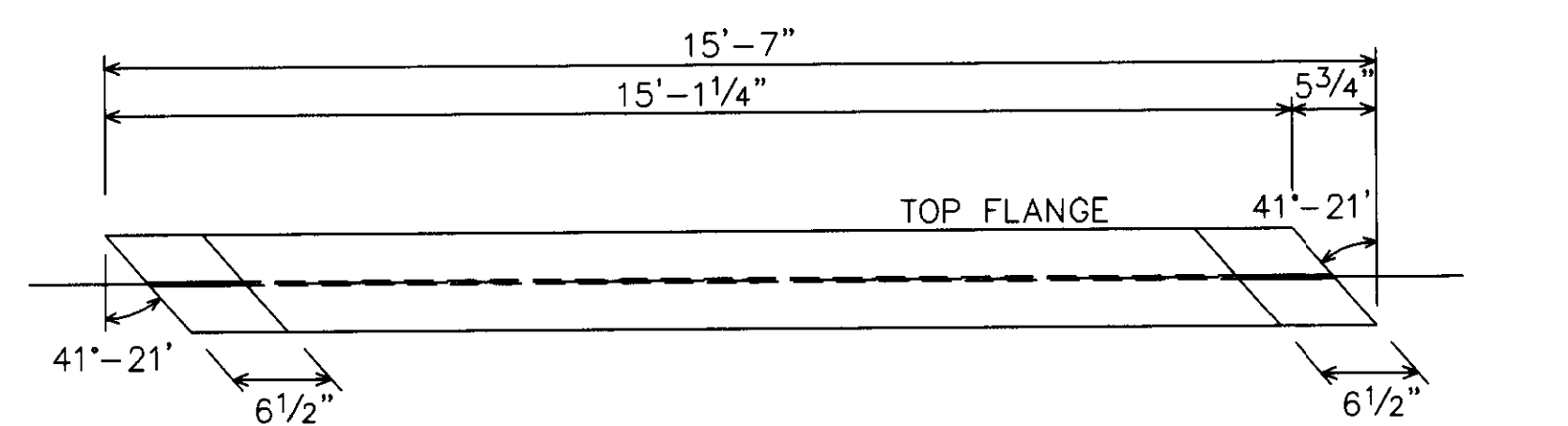


STRINGERS 1-7 AND 10-16

W12X30
1 REQ'D EACH

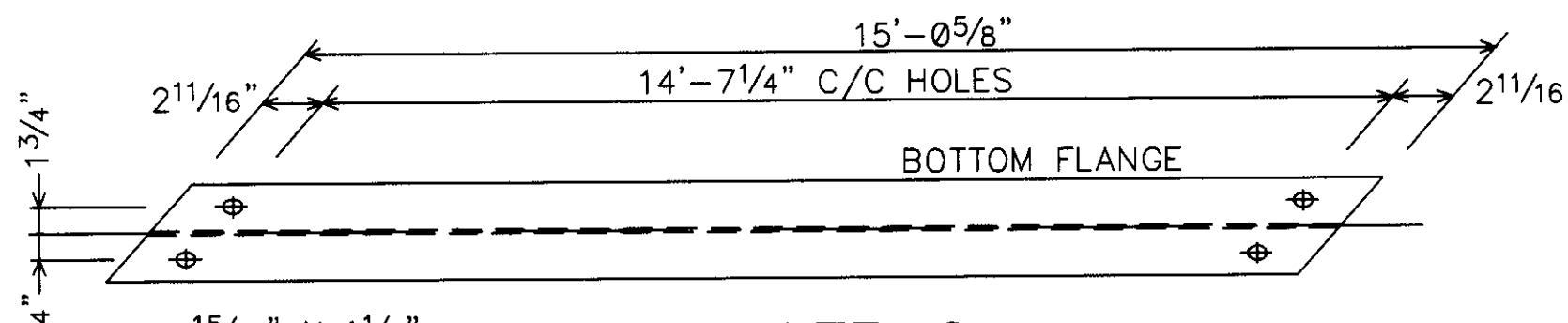
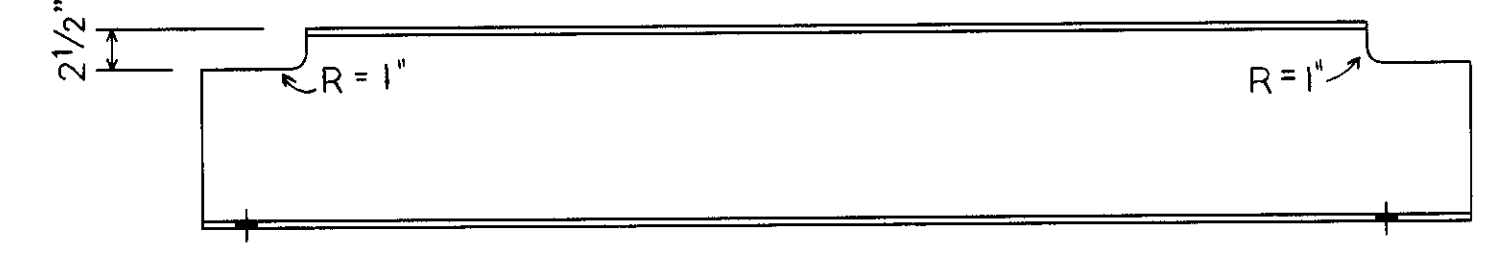
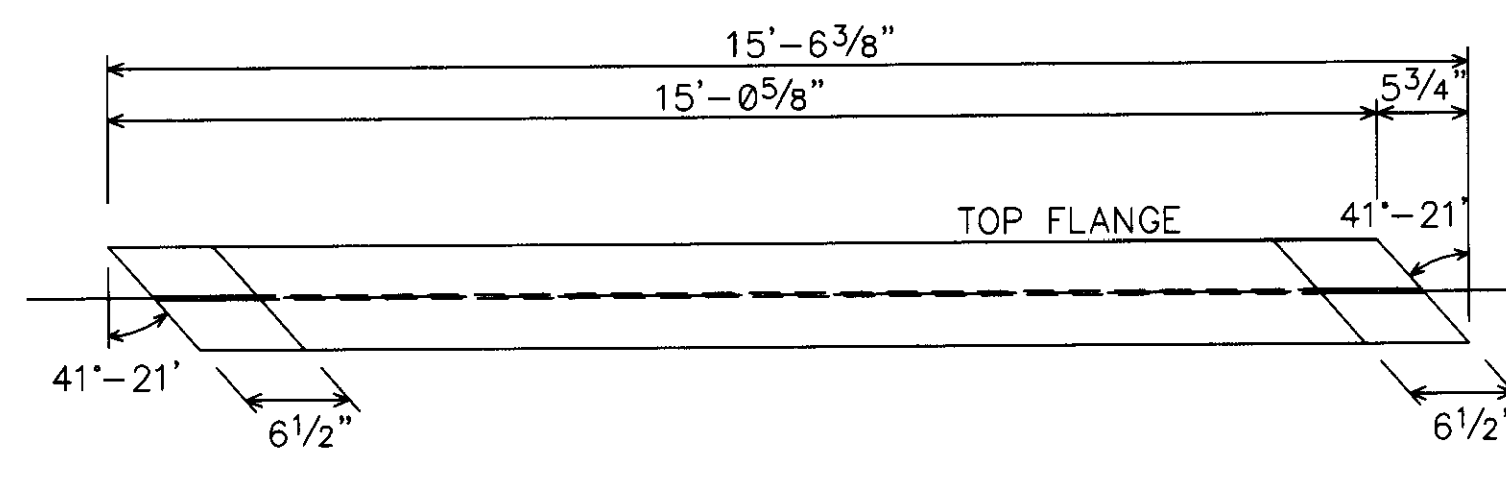
STRINGER DIMENSIONS

MARK	A CUTTING LENGTH	B WEB LENGTH
1	16'-1 1/8"	15'-7 1/2"
2	16'-2 7/8"	15'-9 1/4"
3	16'-4 9/16"	15'-10 15/16"
4	16'-6 5/16"	16'-0 11/16"
5	16'-8"	16'-2 3/8"
6	16'-9 3/4"	16'-4 1/8"
7	16'-11 7/16"	16'-5 13/16"
10	16'-10 13/16"	16'-5 3/16"
11	16'-9 1/8"	16'-3 1/2"
12	16'-7 3/8"	16'-1 3/4"
13	16'-5 11/16"	16'-0 1/16"
14	16'-3 15/16"	15'-10 5/16"
15	16'-2 1/4"	15'-8 5/8"
16	16'-0 1/2"	15'-6 7/8"



STRINGER 8

W12X30
7 REQ'D



STRINGER 9

W12X30
14 REQ'D

NO.	DATE	REVISIONS	BY

77' TRUSS REHAB. 24' ROADWAY WIDTH
DUFF - WASHA ROAD
BRIDGE NO. BEN-24-0.07
OTTAWA COUNTY, OHIO

DESIGN SAF	DRAWN SAF	DATE MAY 6, 2002	DRAWING NO. DUFF-WASHA
CHECK/DATE	FABRICATOR OHIO BRIDGE		

SHEET 4 OF 8

NOTE: DRAWINGS RELATIVE (DO NOT SCALE)