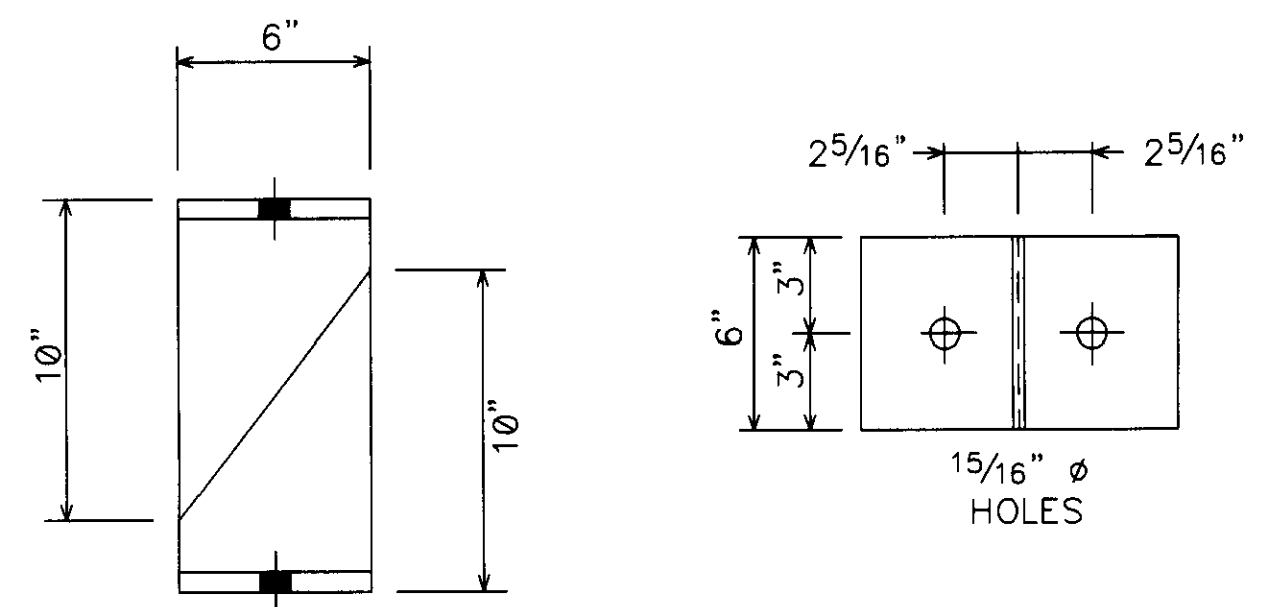
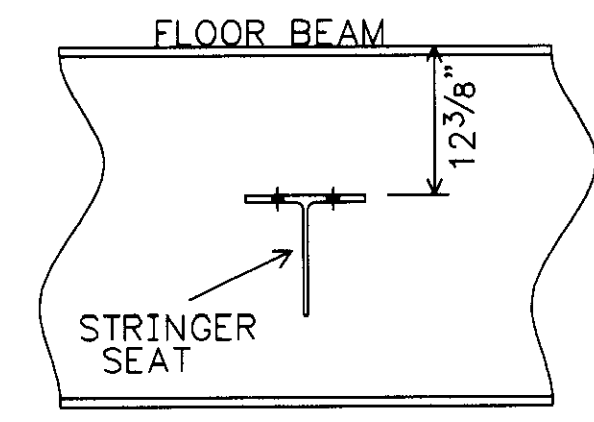


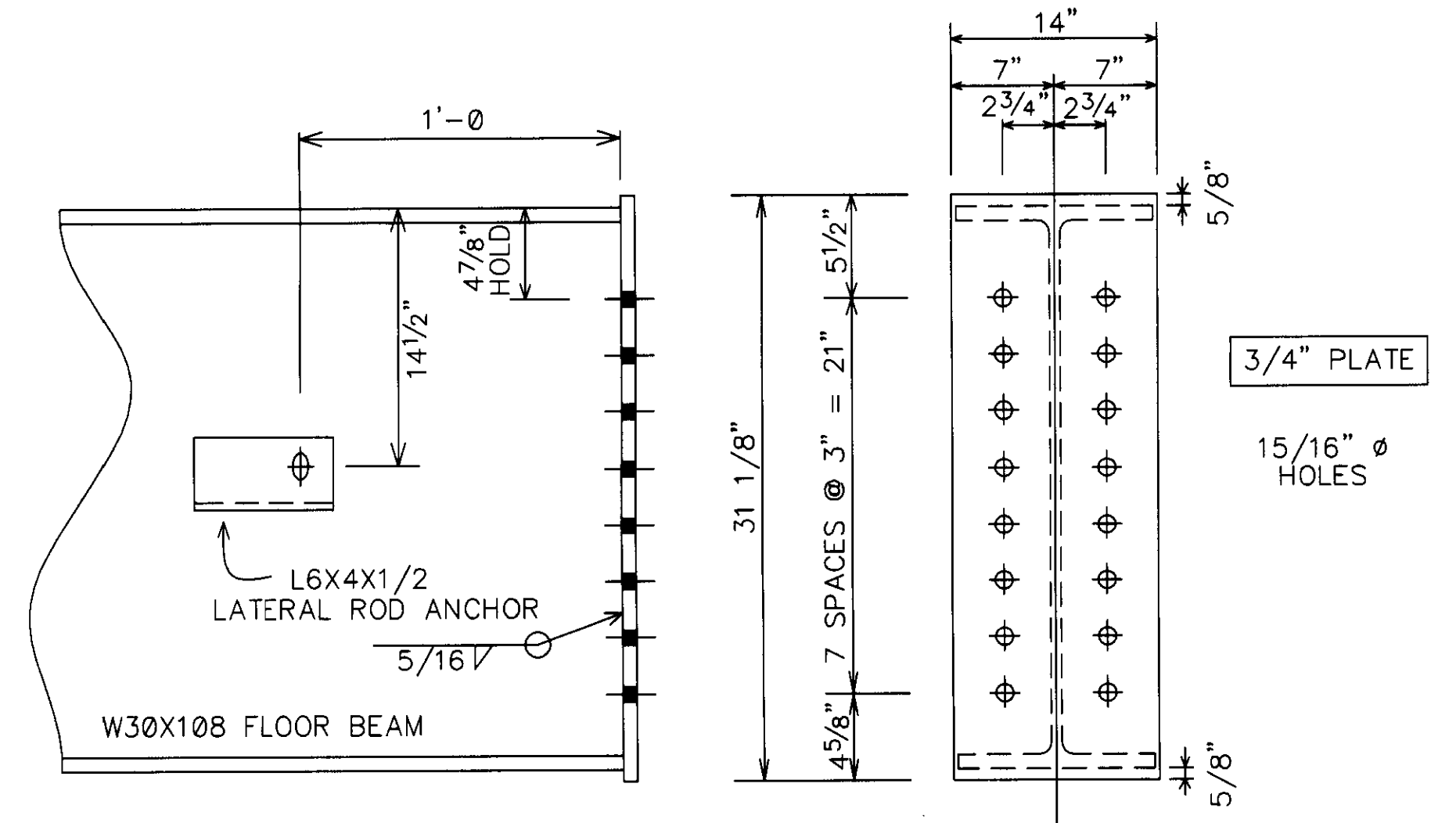
FLOOR BEAM DETAIL
W30X108
4 REQ'D



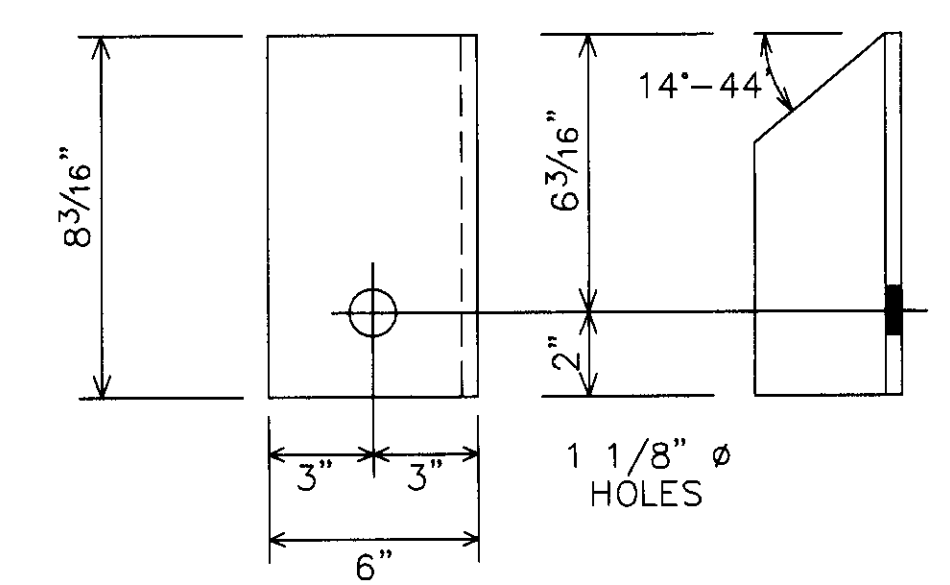
STRINGER SEAT DETAIL
W12X58
56 SEATS REQ'D
CUT 28 PCS - W12X58 @ 6"



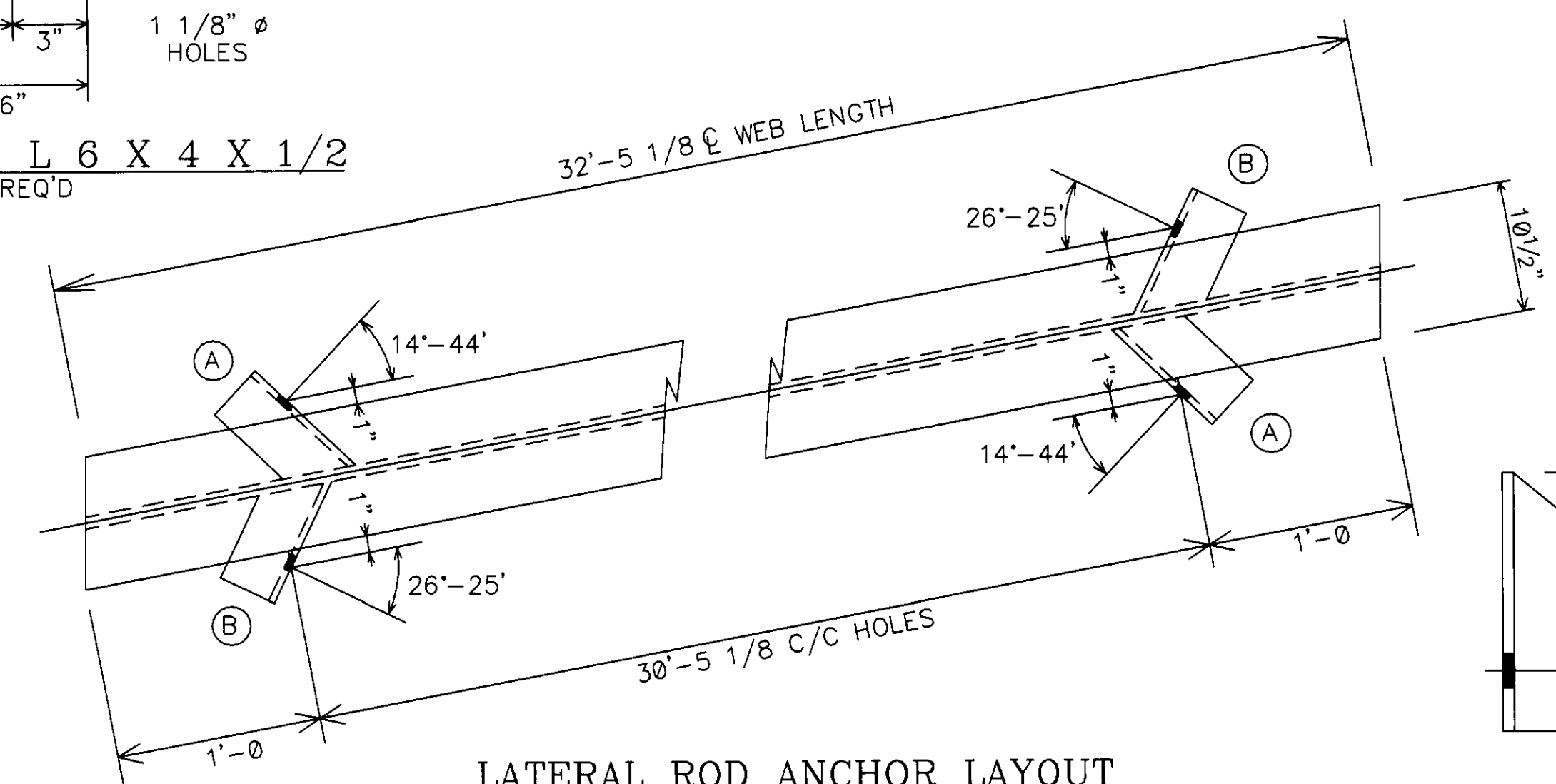
TYPICAL STRINGER SEAT ATTACHMENT TO FLOOR BEAM



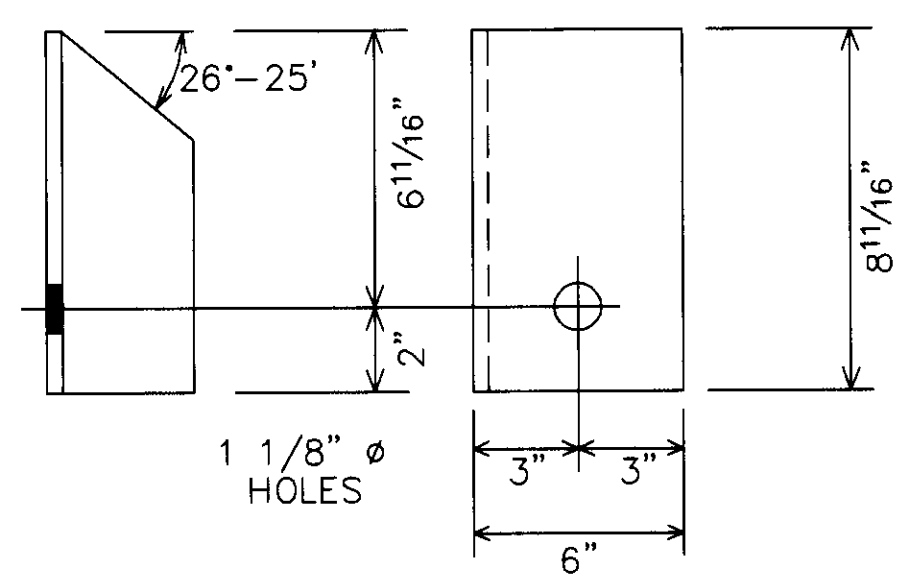
FLOOR BEAM END PLATE DETAIL
LATERAL ROD ANCHOR LOCATION



ANGLE A - L 6 X 4 X 1/2
8 REQ'D



LATERAL ROD ANCHOR LAYOUT



ANGLE B - L 6 X 4 X 1/2
8 REQ'D

LATERAL ROD LENGTHS

- INTERIOR PANEL**
3 PCS - 1" Ø ROD 41'-8" LONG WITH 6" THREAD EACH END
3 PCS - 1" Ø ROD 24'-0" LONG WITH 6" THREAD EACH END
- END PANEL**
2 PCS - 1" Ø ROD 21'-6" LONG WITH 6" THREAD EACH END
2 PCS - 1" Ø ROD 39'-4" LONG WITH 6" THREAD EACH END

NOTE: DRAWINGS RELATIVE (DO NOT SCALE)

NO.	DATE	REVISIONS	BY	77' TRUSS REHAB.	24' ROADWAY WIDTH
				DUFF - WASHA ROAD	
				BRIDGE NO. BEN-24-0.07	
				OTTAWA COUNTY, OHIO	
				DESIGN SAF	DRAWN SAF
				DATE MAY 3, 2002	DRAWING NO. DUFF-WASHA
				CHECK/DATE	FABRICATOR OHIO BRIDGE
					SHEET 3 OF 8