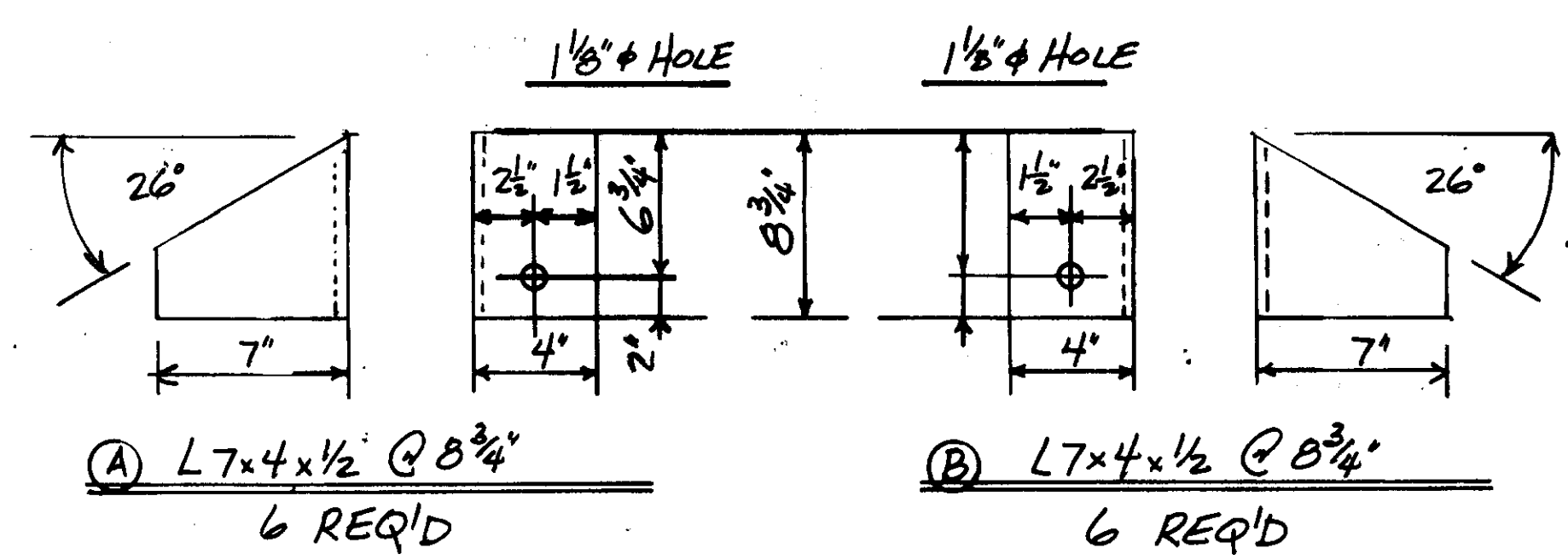
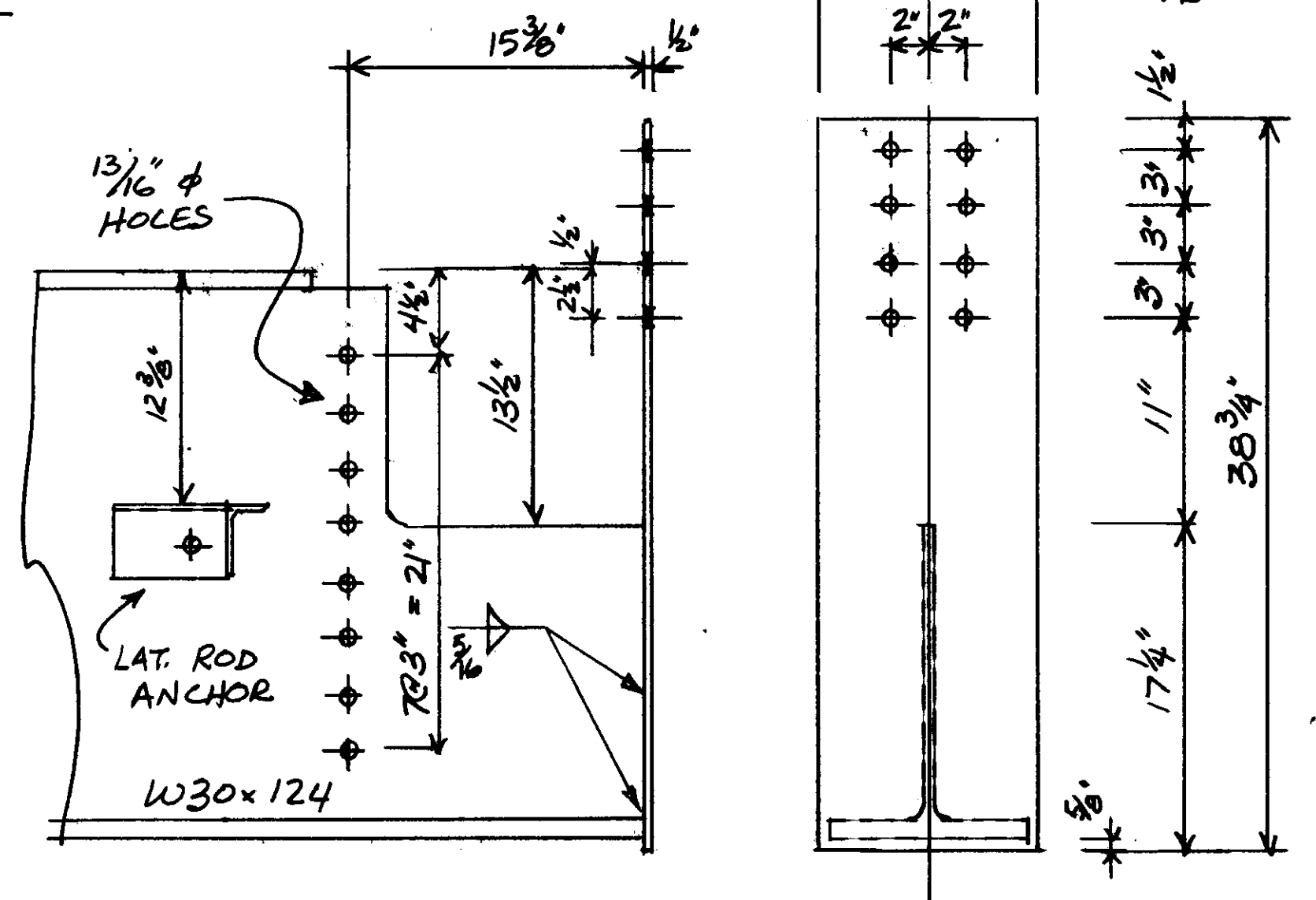
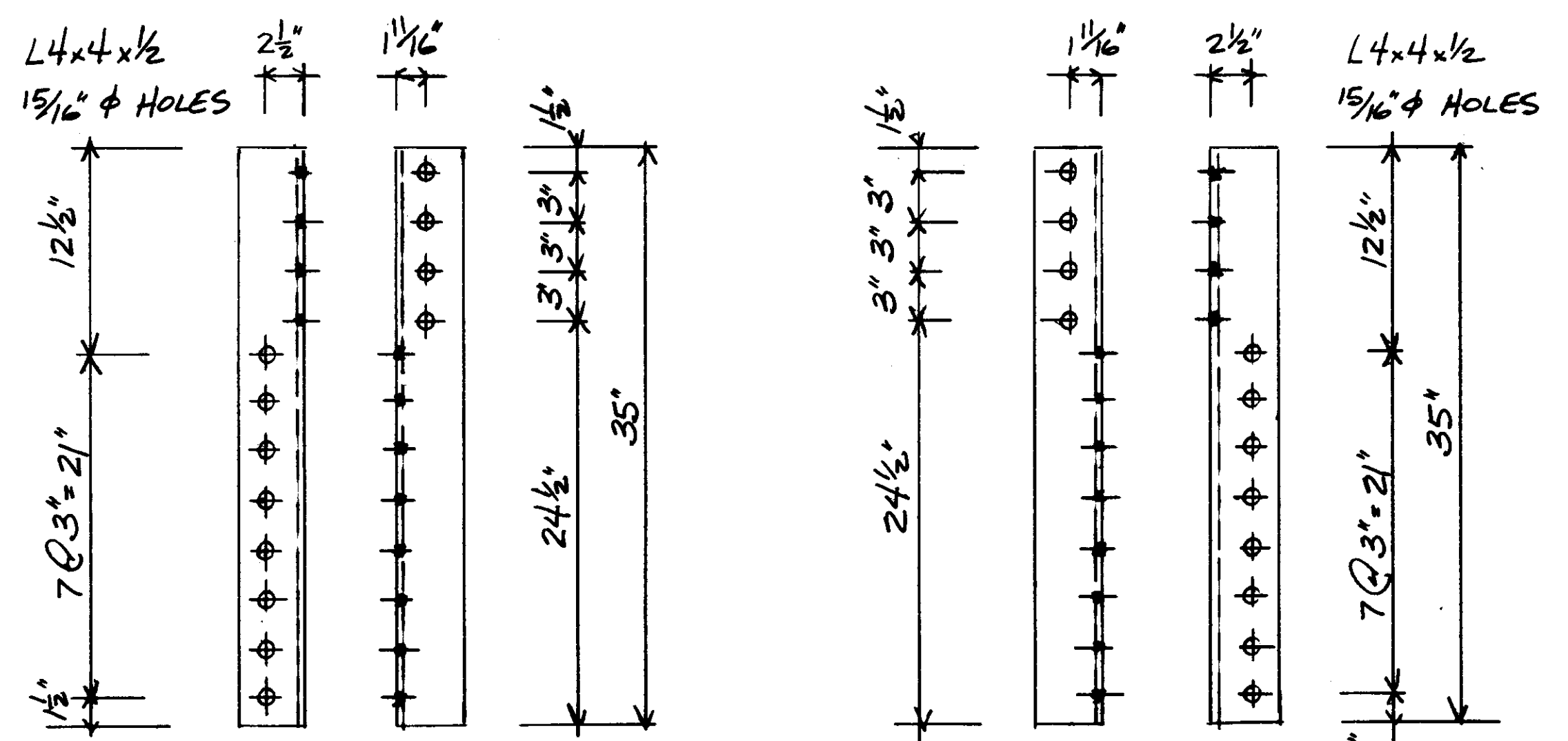


FLOOR BEAM DETAIL - 3 REQ'D



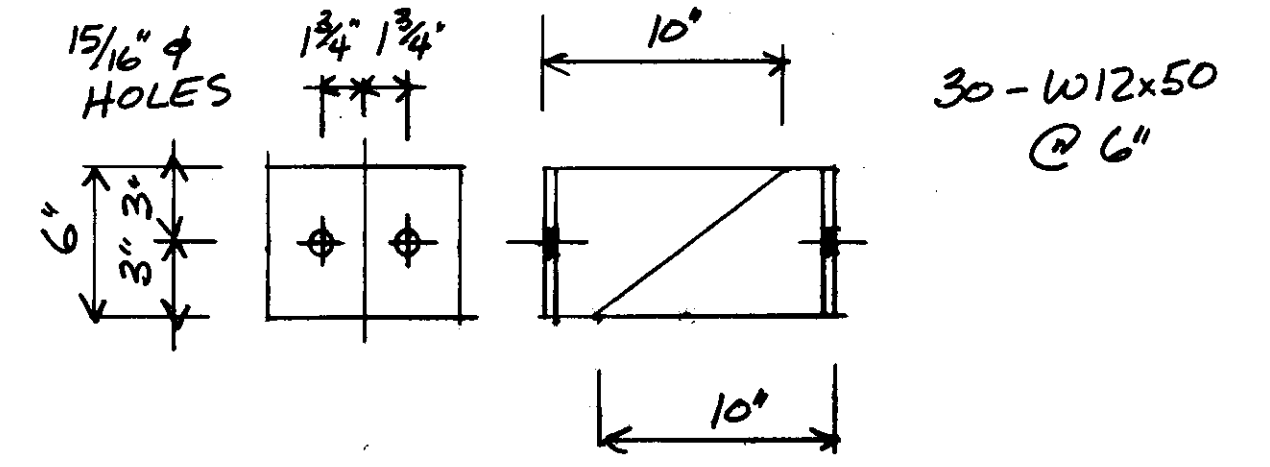
ANGLE A - 6 REQ'D

ANGLE B - 6 REQ'D

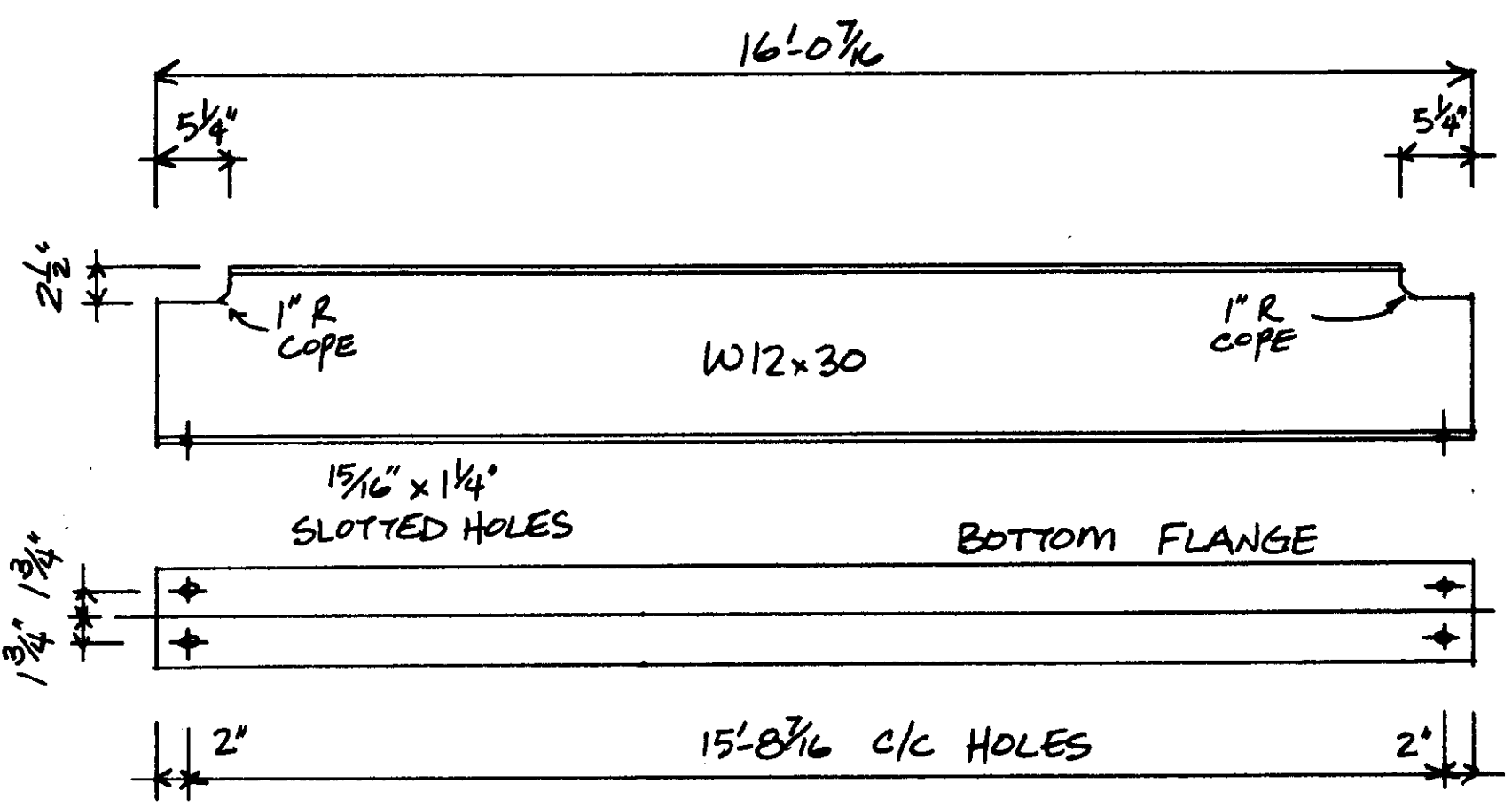
FLOOR BEAM END PLATE - 6 REQ'D

A L7x4x1/2 @ 8 3/4. 6 REQ'D

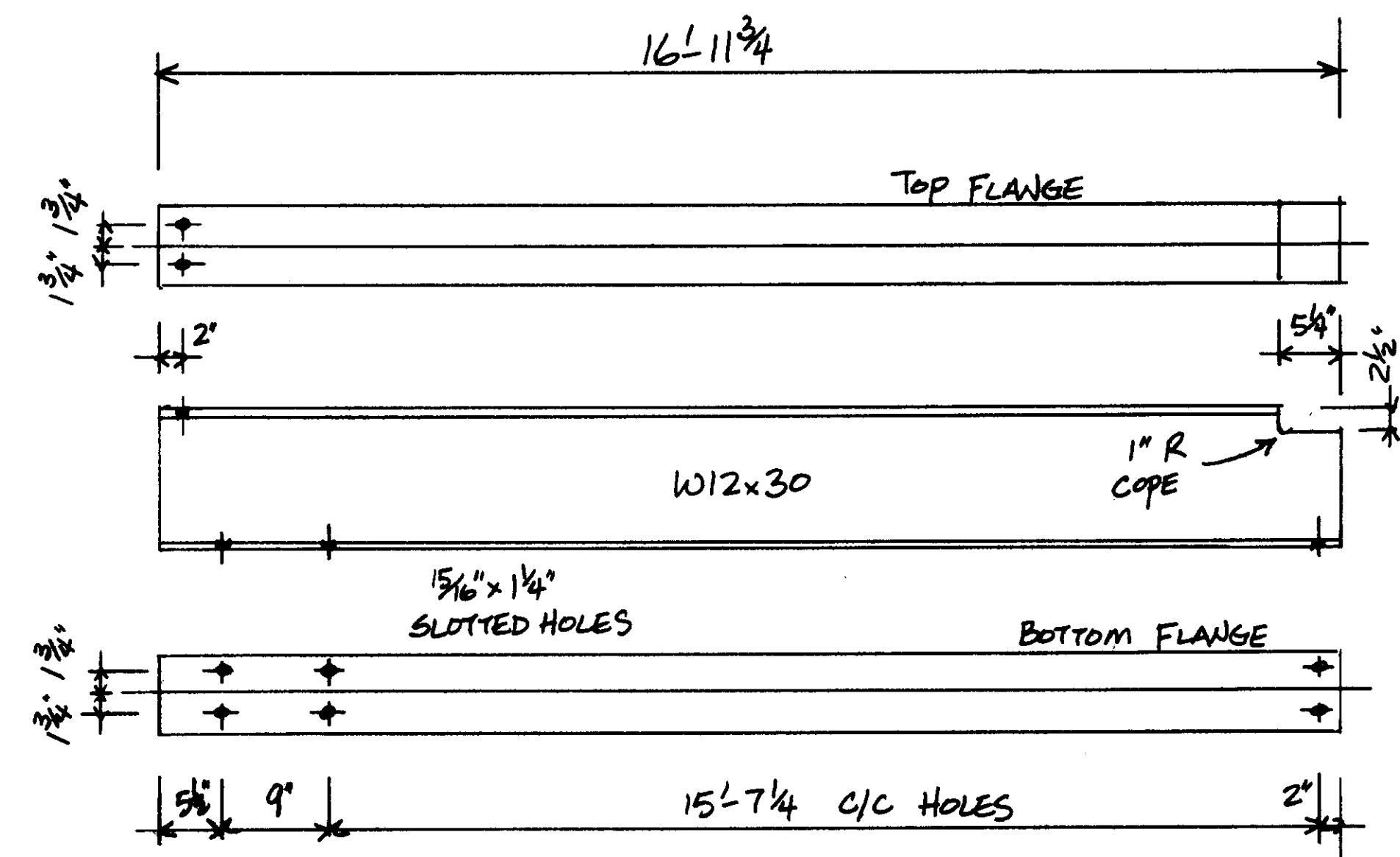
B L7x4x1/2 @ 8 3/4. 6 REQ'D



STRINGER SEATS - 60 REQ'D



INTERIOR PANEL STRINGERS - 20 REQ'D



END PANEL STRINGERS - 20 REQ'D

LATERAL ROD LENGTHS
B RODS - 1" x 35'-2 WITH 6" THREAD EACH END

NOTE: DRAWINGS RELATIVE TO (C) NOT SCALE

NO	DATE	REVISIONS	BY	65' TRUSS REHAB 32' ROADWAY WIDTH BENTON - CARROLL ROAD BENTON TWP OTTAWA COUNTY, OHIO			
				DESIGN	DRAWN	DATE	DRAWING NO
				DLM	DLM	APR 3, 2000	65x32EX
				REVIEWED			
							SHEET
							3 OF 4