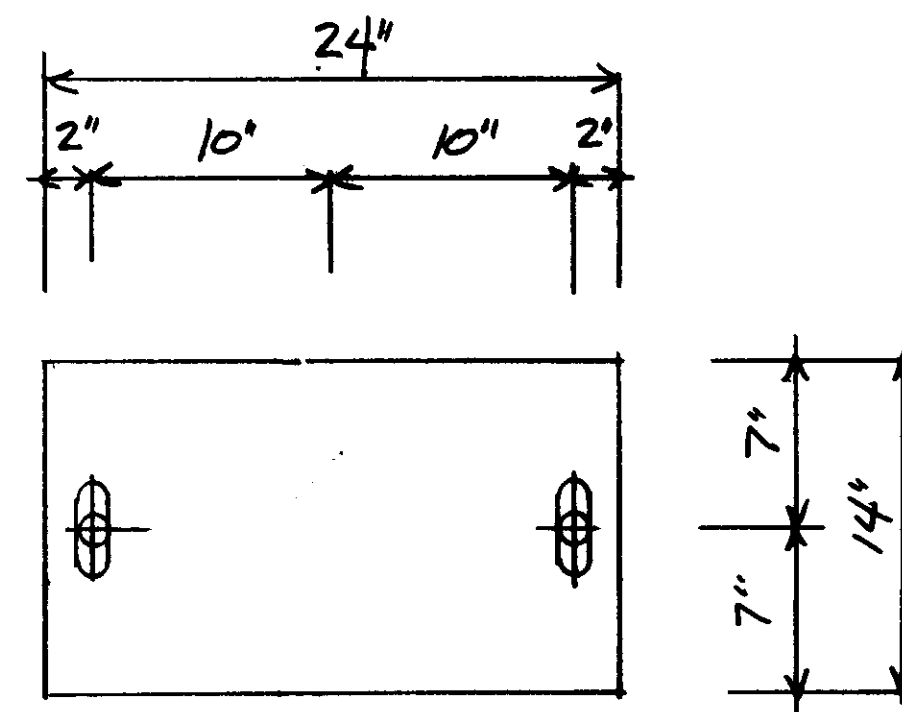
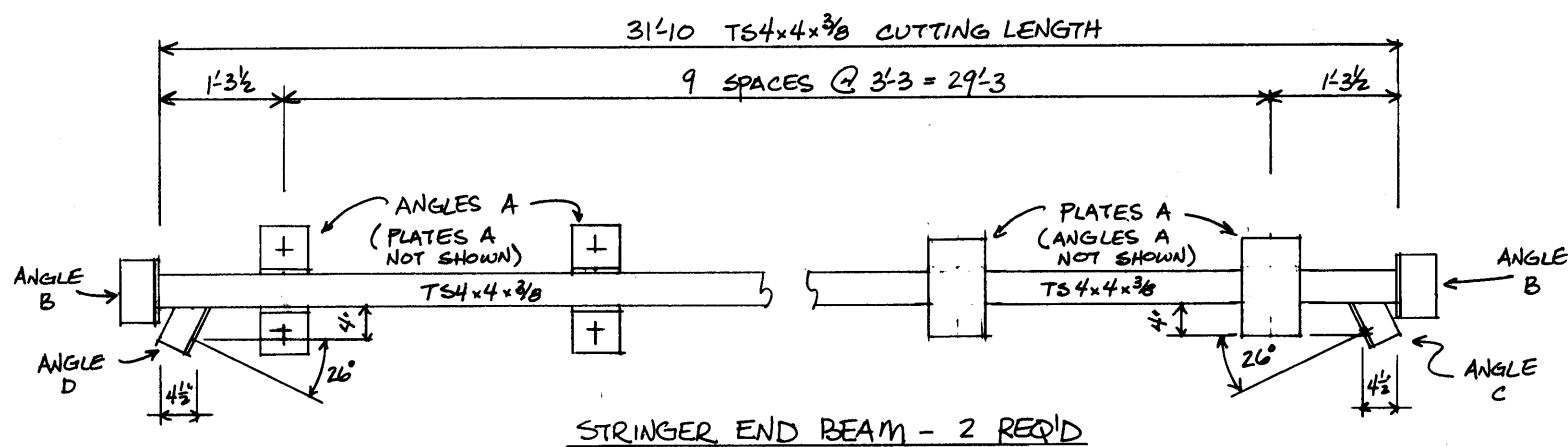


ABUTMENT PLAN VIEW

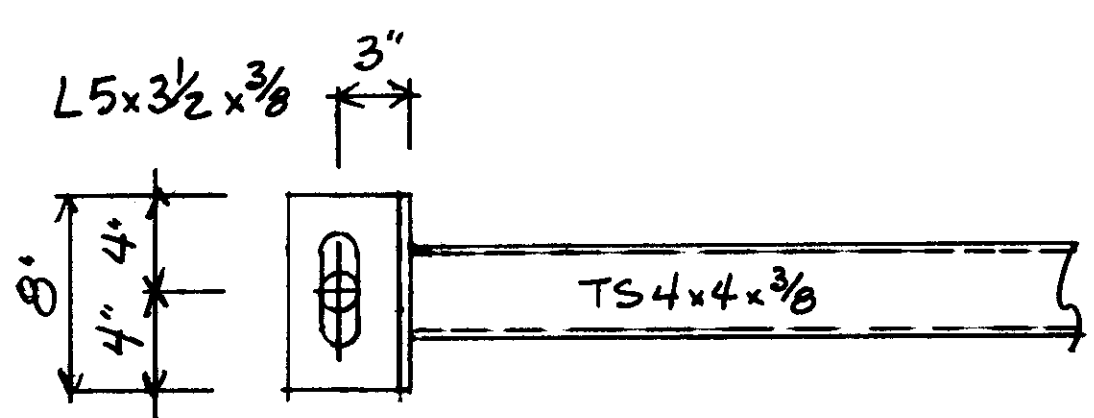


TRUSS BEARING PLATES

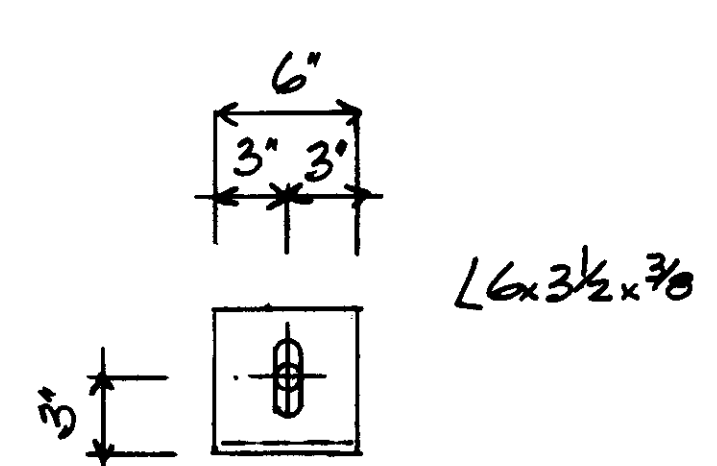
- 2 pcs -  $\frac{3}{4}$ " x 14" x 24" WITH  $\frac{5}{8}$ " x  $4\frac{1}{2}$ " HOLES
- 2 pcs -  $\frac{1}{4}$ " x 12" x 24" BRONZE  $\frac{1}{8}$ " WITH  $\frac{5}{8}$ " HOLES
- 2 pcs -  $\frac{1}{2}$ " x 14" x 24" WITH  $\frac{5}{8}$ " HOLES
- 4 pcs -  $\frac{3}{4}$ " x 14" x 24" WITH  $\frac{5}{8}$ " HOLES



STRINGER END BEAM - 2 REQ'D



ANGLE B - 4 REQ'D  
2 WITH  $\frac{5}{8}$ " x  $4\frac{1}{2}$ " SLOT HOLES  
2 WITH  $\frac{5}{8}$ " HOLES



ANGLE A - 40 REQ'D  
20 WITH  $\frac{1}{8}$ " x 3" SLOT HOLES  
20 WITH  $\frac{1}{8}$ " HOLES

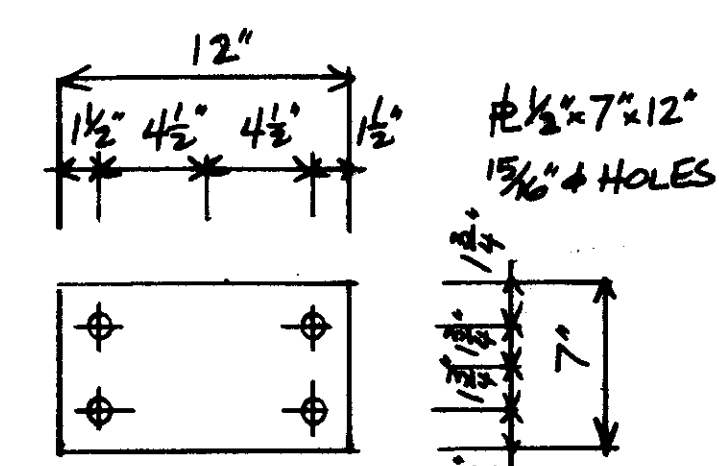
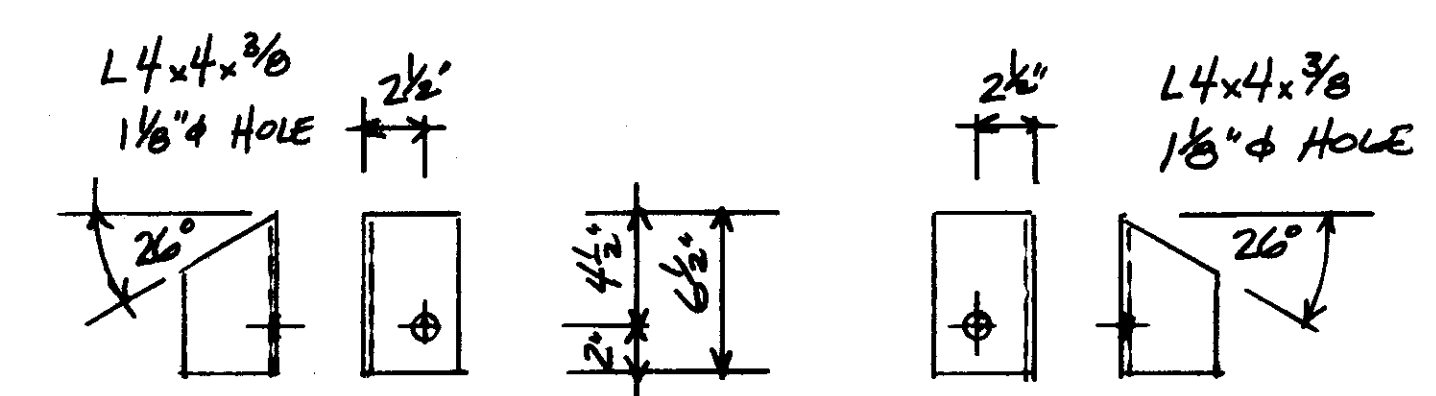
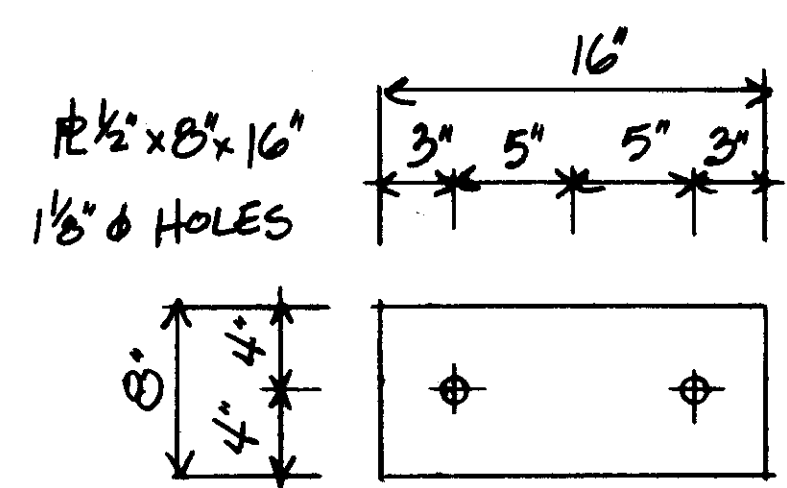


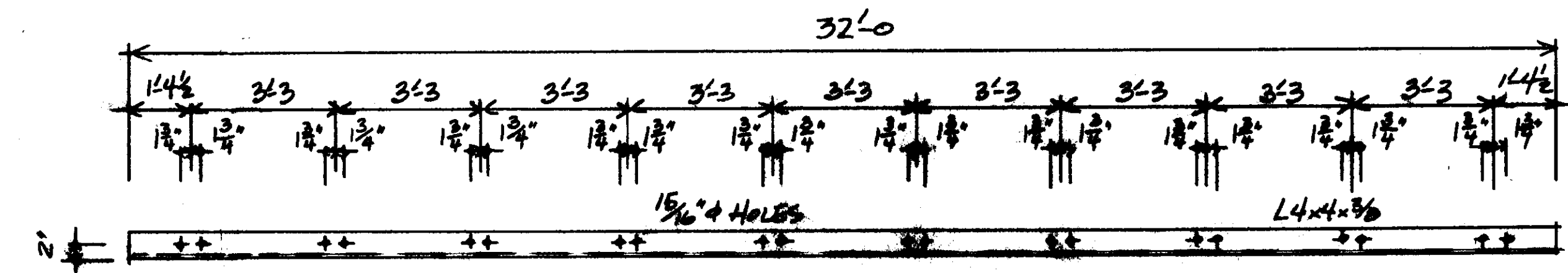
PLATE A - 20 REQ'D



ANGLE C - 2 REQ'D  
ANGLE D - 2 REQ'D



STRINGER BRG PLATE - 20 REQ'D



SHELF ANGLE - 2 REQ'D

MATERIAL SCHEDULE	
QUANTITY	DESCRIPTION
3 pcs	FLOOR BEAM W30x124 @ 35° 2 - $\frac{1}{2}$ " x $1\frac{1}{2}$ "
4 - L7x4x1/2 @ 35°	20 - STRINGER SEATS
6 pcs	ANGLE A L4x4x1/2 @ 35°
6 pcs	ANGLE B L4x4x1/2 @ 35°
20 pcs	INTERIOR PANEL STRG W12x30 @ 16°-0 3/16
20 pcs	END PANEL STRG W12x30 @ 16°-11 3/4
8 pcs	LAT. RODS 1" ROD x 35° 2 WITH 2 NUTS
2 pcs	STRG END BEAM TS4x4x3/8 @ 31°-10
	2 - L5x3 1/2 x 3/8 @ 0° 4 - L4x4x3/8 @ 6 1/2°
	20 - L6x3 1/2 x 3/8 @ 6° 10 - $\frac{1}{2}$ " x 7" x 12"
20 pcs	STRG BRG PLATES $\frac{1}{2}$ " x 8" x 16"
6 pcs	$\frac{3}{4}$ " x 14" x 24"
2 pcs	BRONZE $\frac{1}{4}$ " x 12" x 24"
2 pcs	$\frac{1}{2}$ " x 14" x 24"
2 pcs	SHELF ANGLE L4x4x3/8 @ 32°-0
2 pcs	OVER ANGLE L5x3 1/2 x 3/8 @ 32°-0
8 pcs	TRUSS ANCHOR BOLT 1/4" x 20" BOLT, NUT, WASH
40 pcs	STRG ANCHOR BOLT 3/4" x 16" BOLT, NUT, WASH
18 pcs	1" x 2 1/2" B,N,W A325 TYPE 1 GALV.
60 pcs	1" x 2 3/4" B,N,W A325 TYPE 1 GALV.
50 pcs	1" x 3" B,N,W A325 TYPE 1 GALV.
60 pcs	1" x 3 1/2" B,N,W A325 TYPE 1 GALV.
34 pcs	3/4" x 2" B,N,W A325 TYPE 1 GALV.
252 pcs	3/4" x 2 1/4" B,N,W A325 TYPE 1 GALV.
100 pcs	3/4" x 2 1/2" B,N,W A325 TYPE 1 GALV.
50 pcs	3/4" x 2 3/4" B,N,W A325 TYPE 1 GALV.
44 pcs	BRIDGE FLOOR 5 GA 3" x 9" GALV @ 32°-0
10 pcs	SPLASH GUARDS $\frac{1}{4}$ " x 12" x 48" GALV.
8 pcs	EDGE DAM $\frac{1}{4}$ " x 5" x 12'3 GALV.
12 pcs	GUARDRAIL 12'-6 GALV.
4 pcs	FLARED ENDS
4 pcs	WOOD POSTS
16 pcs	GR BRACKET
4 pcs	5/8" x 10" POST BOLT, NUT, WASHER
16 pcs	5/8" x 2" POST BOLT, NUT, WASHER
144 pcs	5/8" x 1 1/4" GR BOLT & NUT

NO	DATE	REVISIONS	BY	65' TRUSS REHAB	32' ROADWAY WIDTH
				BENTON-CARROLL ROAD	
				BENTON TWP.	
				OTTAWA COUNTY, OHIO	
				DESIGN DLM	DRAWN DLM
				DATE APR 3, 2000	DRAWING NO 65x32EX
				REVIEWED	

NOTE: DRAWINGS RELATIVE TO (NOT SCALE)