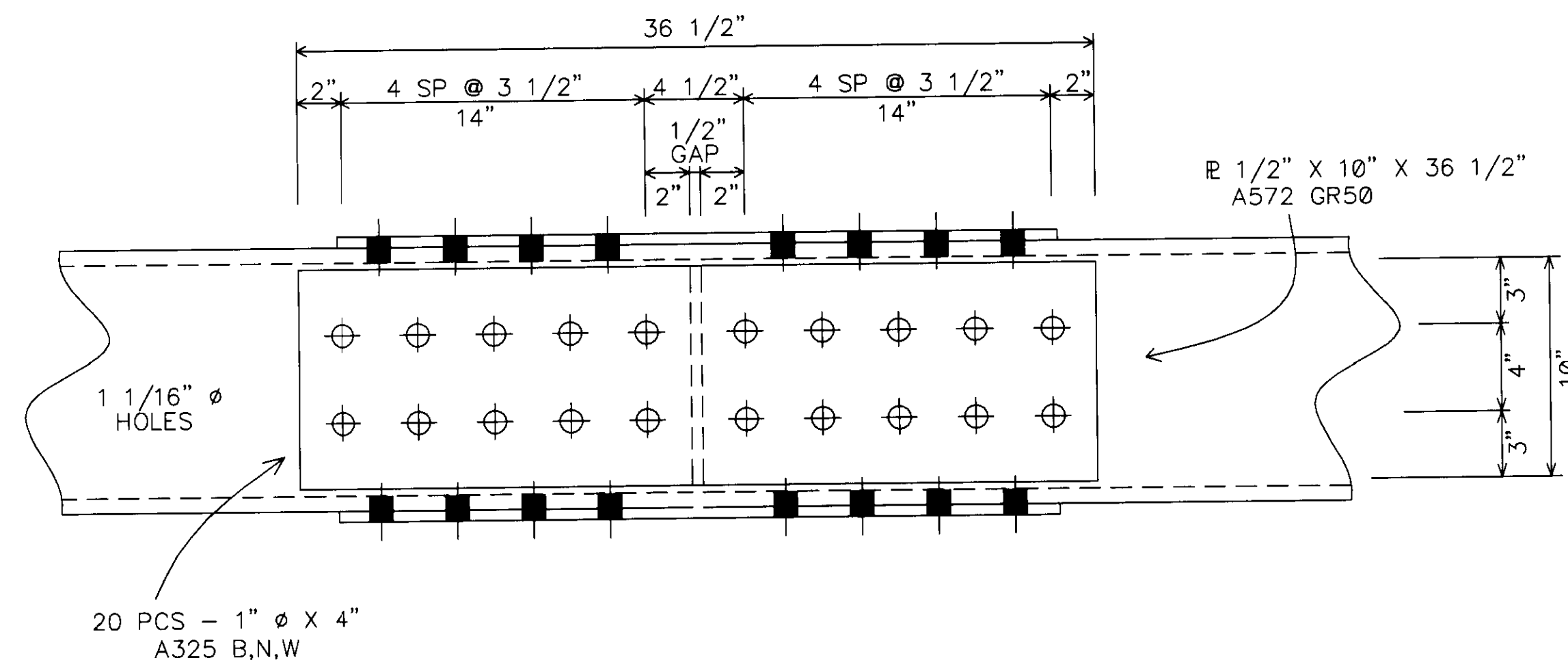
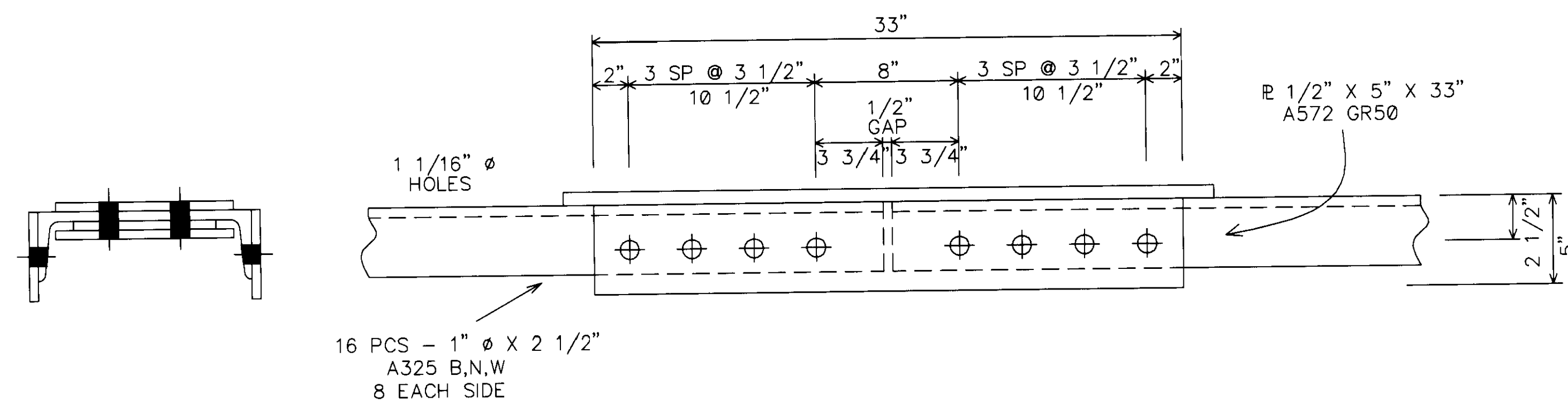


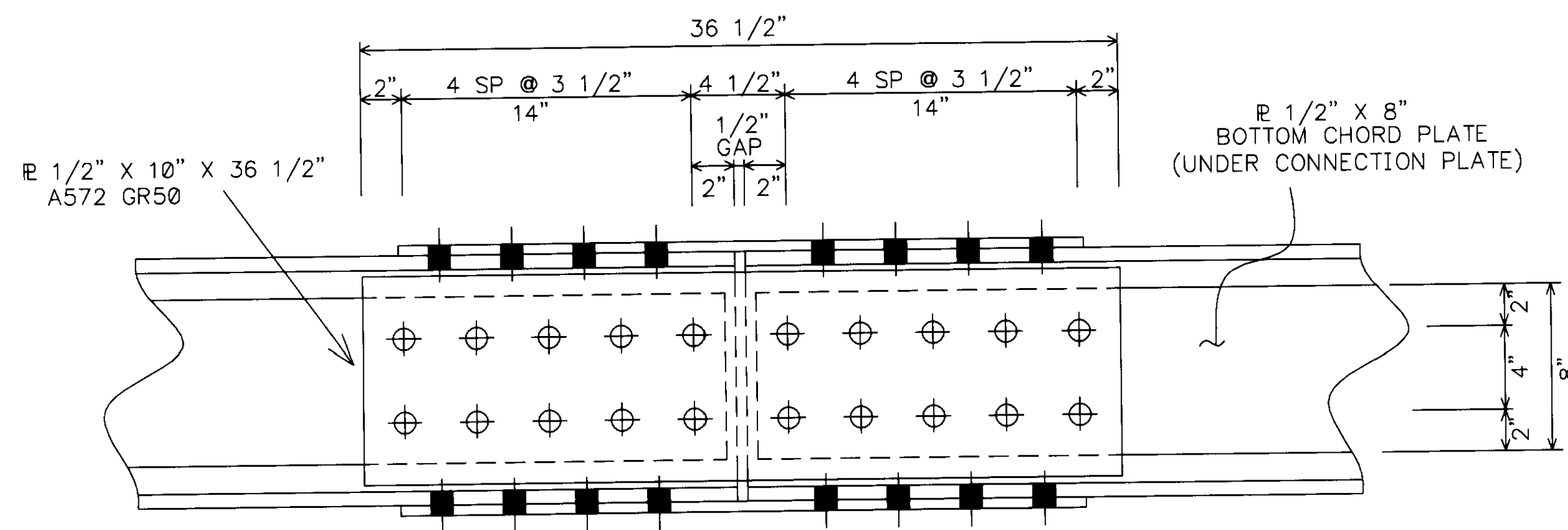
TOP VIEW



SIDE VIEW

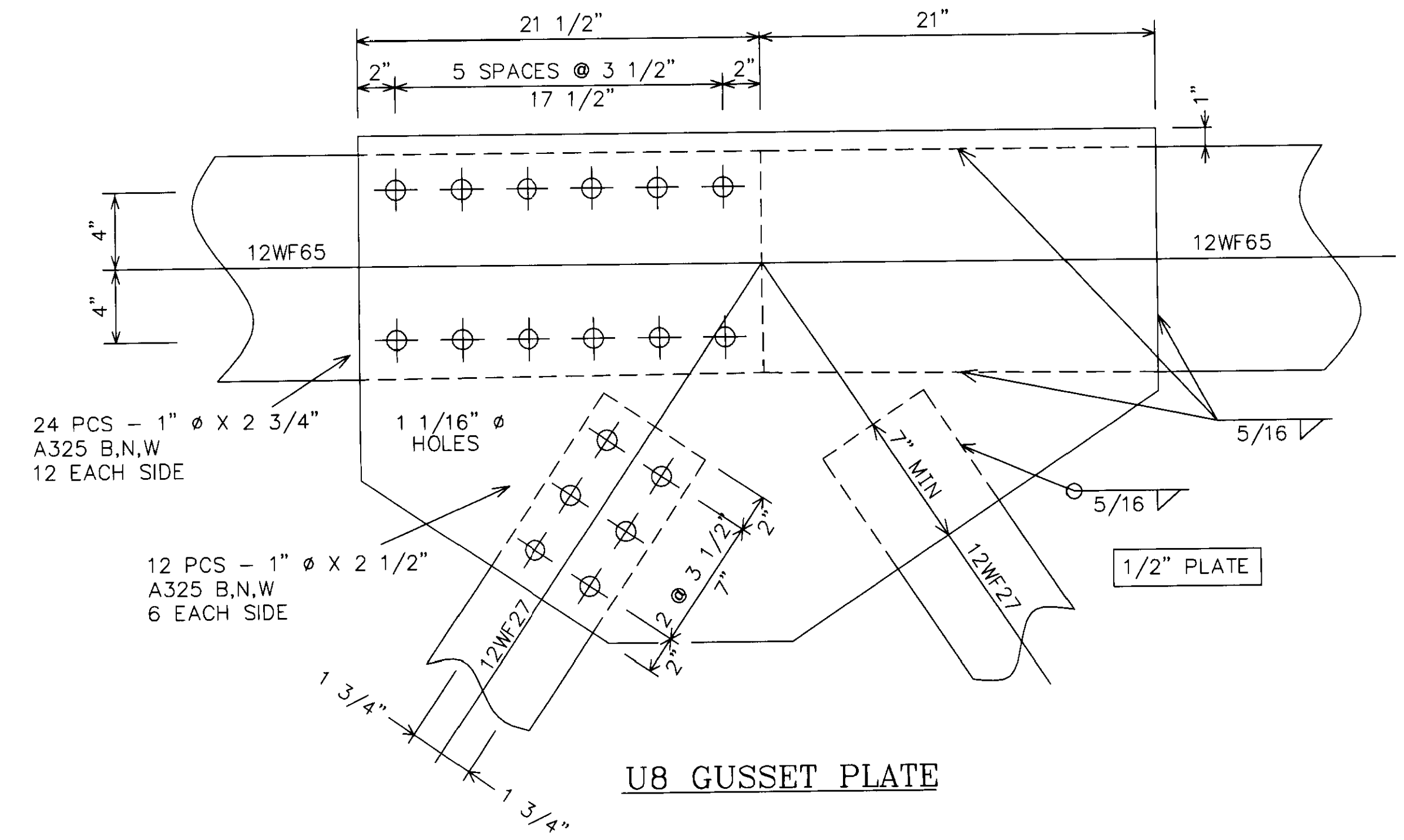


BOTTOM VIEW



L7-L9 CONNECTION DETAIL

NOTE: DRAWINGS RELATIVE (DO NOT SCALE)



NO.	DATE	REVISIONS	BY	85' TRUSS REHAB		24' ROADWAY WIDTH	
				LICKERT-HARDER ROAD		TWP. RD. 22	
				BENTON TWP.			
				OTTAWA COUNTY, OHIO			
		DESIGN SAF	DRAWN SAF	DATE MAY 15, 2001	DRAWING NO. LICKERT		SHEET
		CHECK/DATE	FABRICATOR OHIO BRIDGE				5 OF 5