

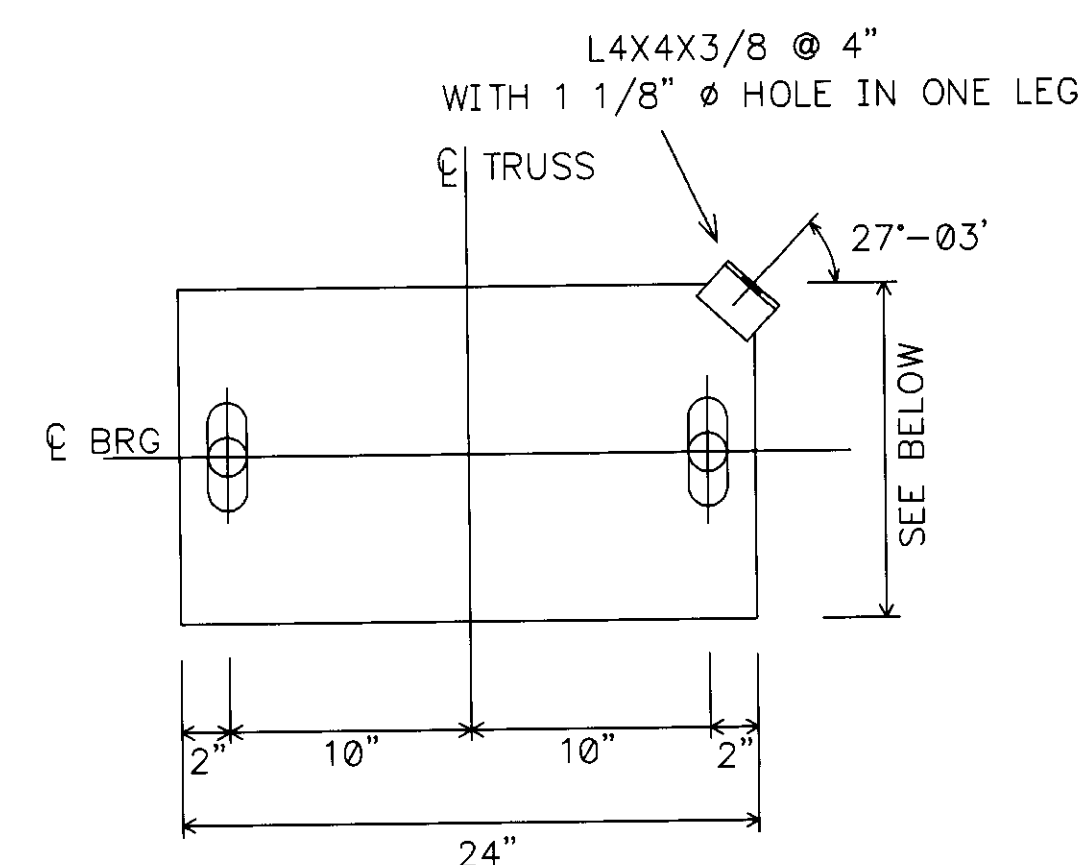
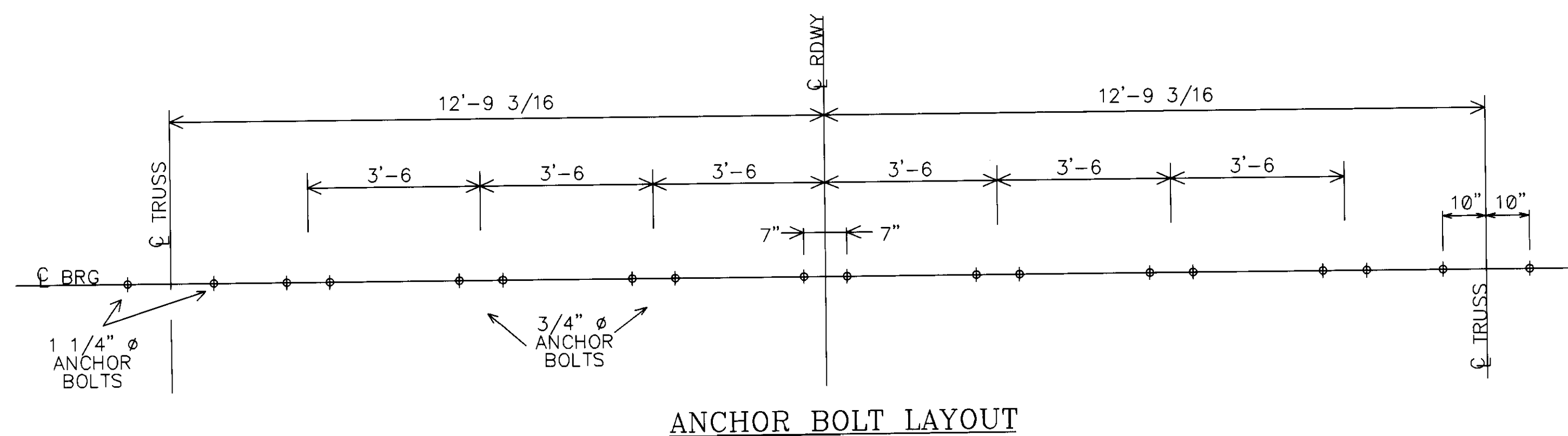
BEARING PLATE DETAIL

FIXED END

7 PLATES WITH 1 1/8" Ø HOLES AND CHANNEL - TOP PLATES
7 PLATES WITH 1 1/8" Ø HOLES - BOTTOM PLATES

EXPANSION END

7 PLATES WITH 1 1/8" X 3" SLOTTED HOLES AND CHANNEL - TOP PLATES
7 PLATES WITH 1 1/8" Ø HOLES - BOTTOM PLATES



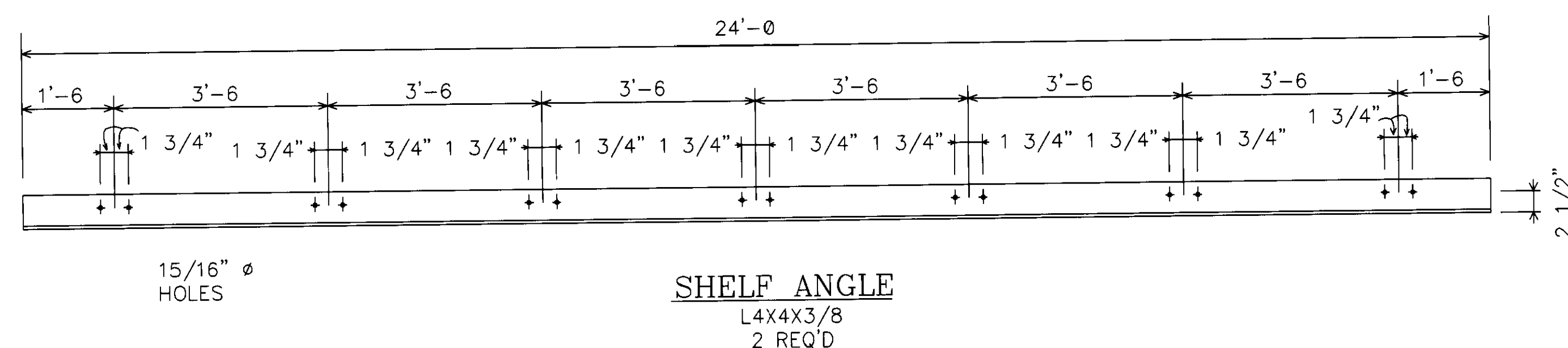
TRUSS BEARING PLATES

FIXED ABUTMENT

4 - R 3/4" X 14" X 24" WITH 1 5/8" Ø HOLES (TOP & BOTTOM PLATES)

EXP. ABUTMENT

2 - R 3/4" X 14" X 24" WITH 1 5/8" X 4 1/2" SLOTTED HOLES (TOP PLATES)
2 - BRONZE R 1/4" X 12" X 24" WITH 1 5/8" Ø HOLES (MIDDLE PLATES)
2 - R 1/2" X 14" X 24" WITH 1 5/8" Ø HOLES (BOTTOM PLATES)



NOTE: DRAWINGS RELATIVE (DO NOT SCALE)

NO.	DATE	REVISIONS	BY	SAF
1	6-5-01	STRINGER LAYOUTS		

85' TRUSS REHAB
LICKERT-HARDER ROAD
BENTON TWP.
OTTAWA COUNTY, OHIO

24' ROADWAY WIDTH
TWP. RD. 22

DESIGN SAF	DRAWN SAF	DATE MAY 23, 2001	DRAWING NO. LICKERT
CHECK/DATE	FABRICATOR OHIO BRIDGE		

SHEET
4 OF 5