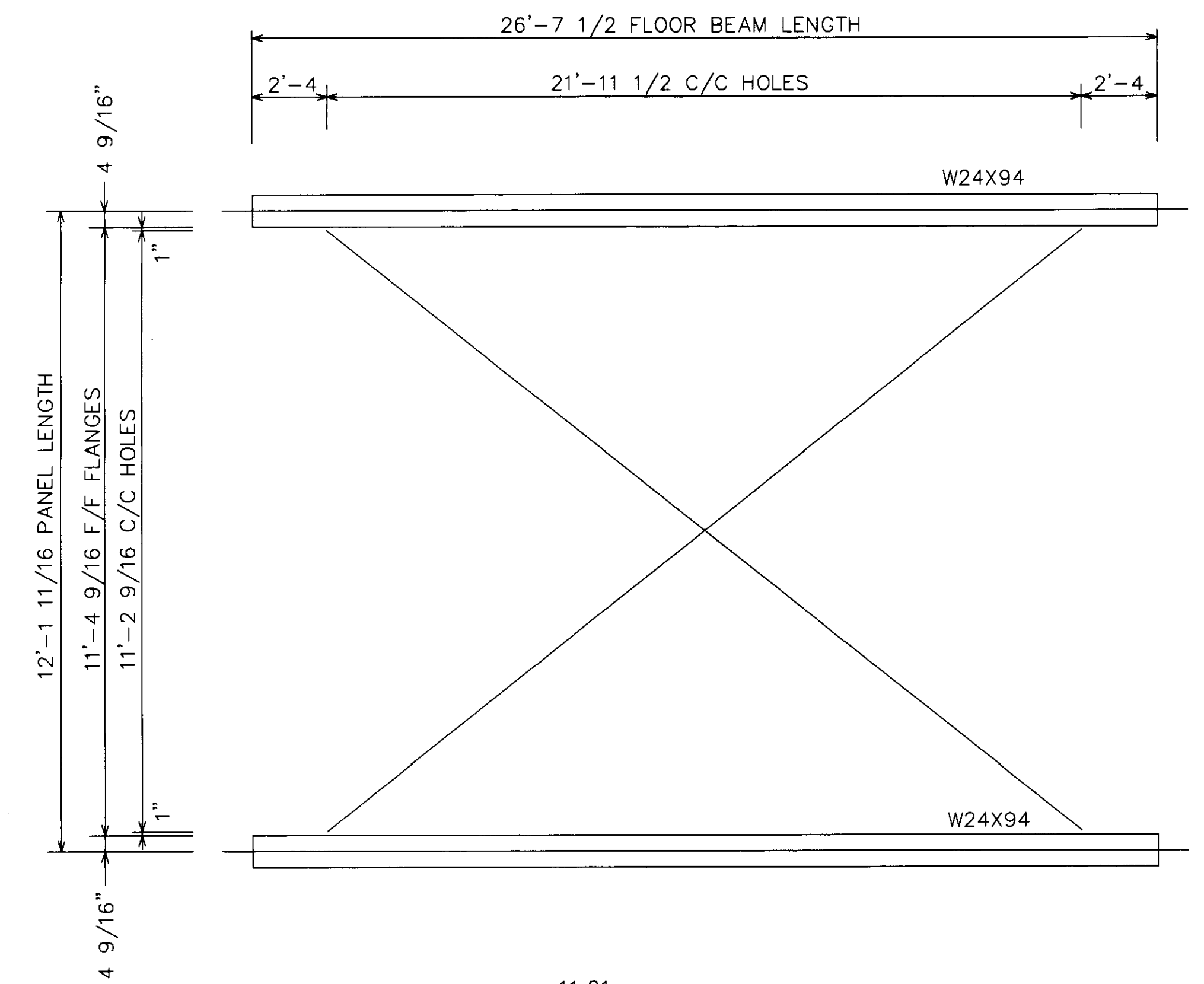
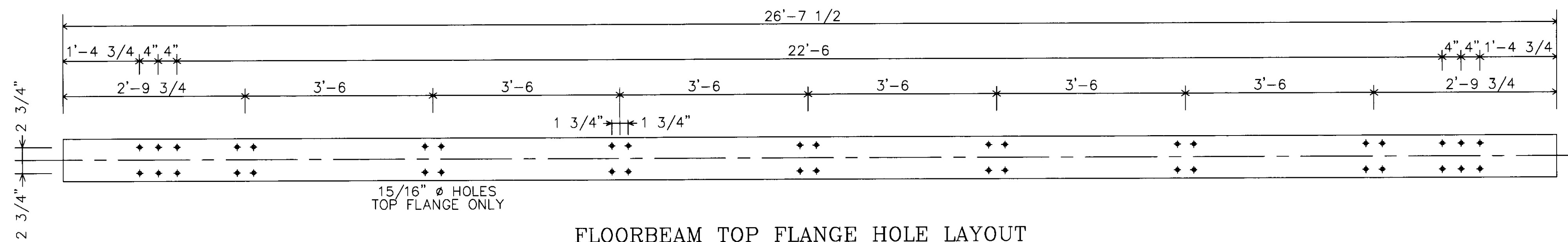


FLOORBEAM END PLATE DETAIL



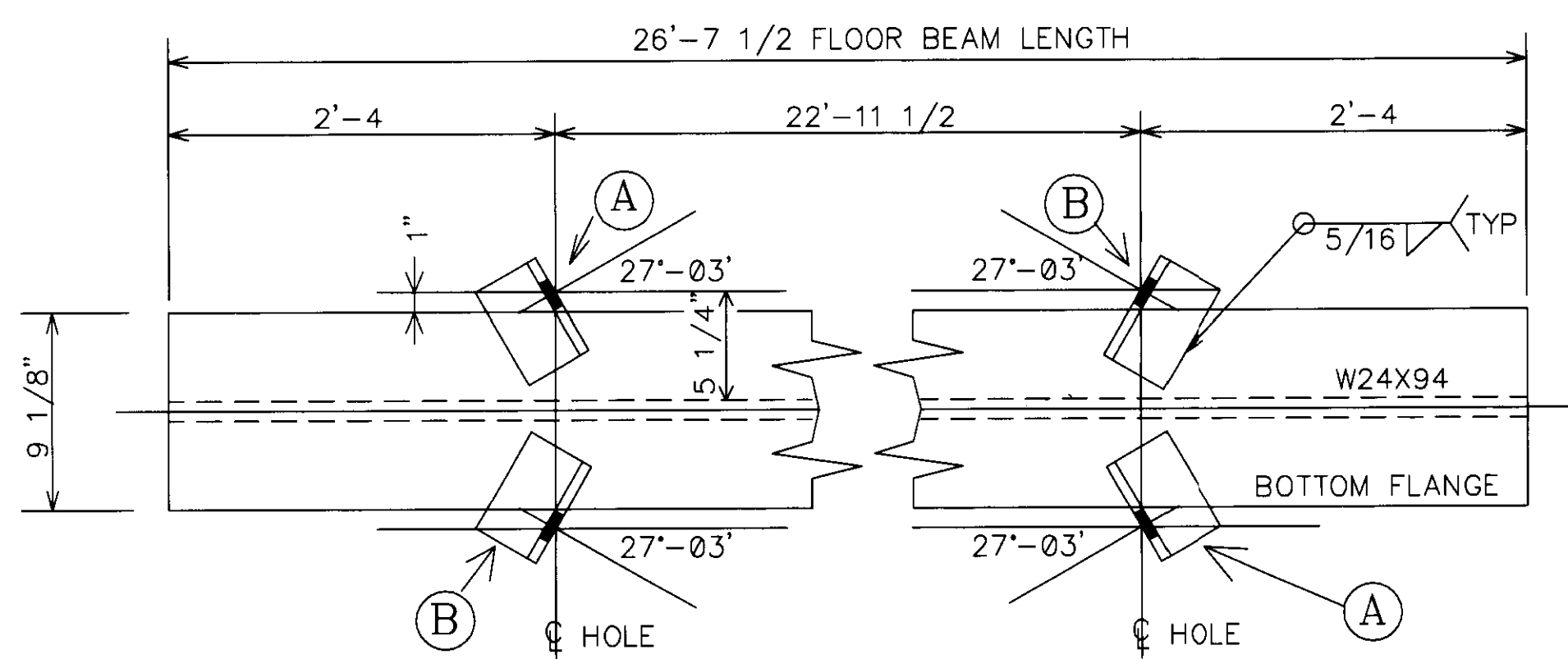
ANGLE CALC. =  $\frac{11.21}{21.96} = 0.51 = 27.05^\circ = 27'-03''$

LENGTH CALC. =  $\frac{21.96}{\cos 27.05} = 24.66'$

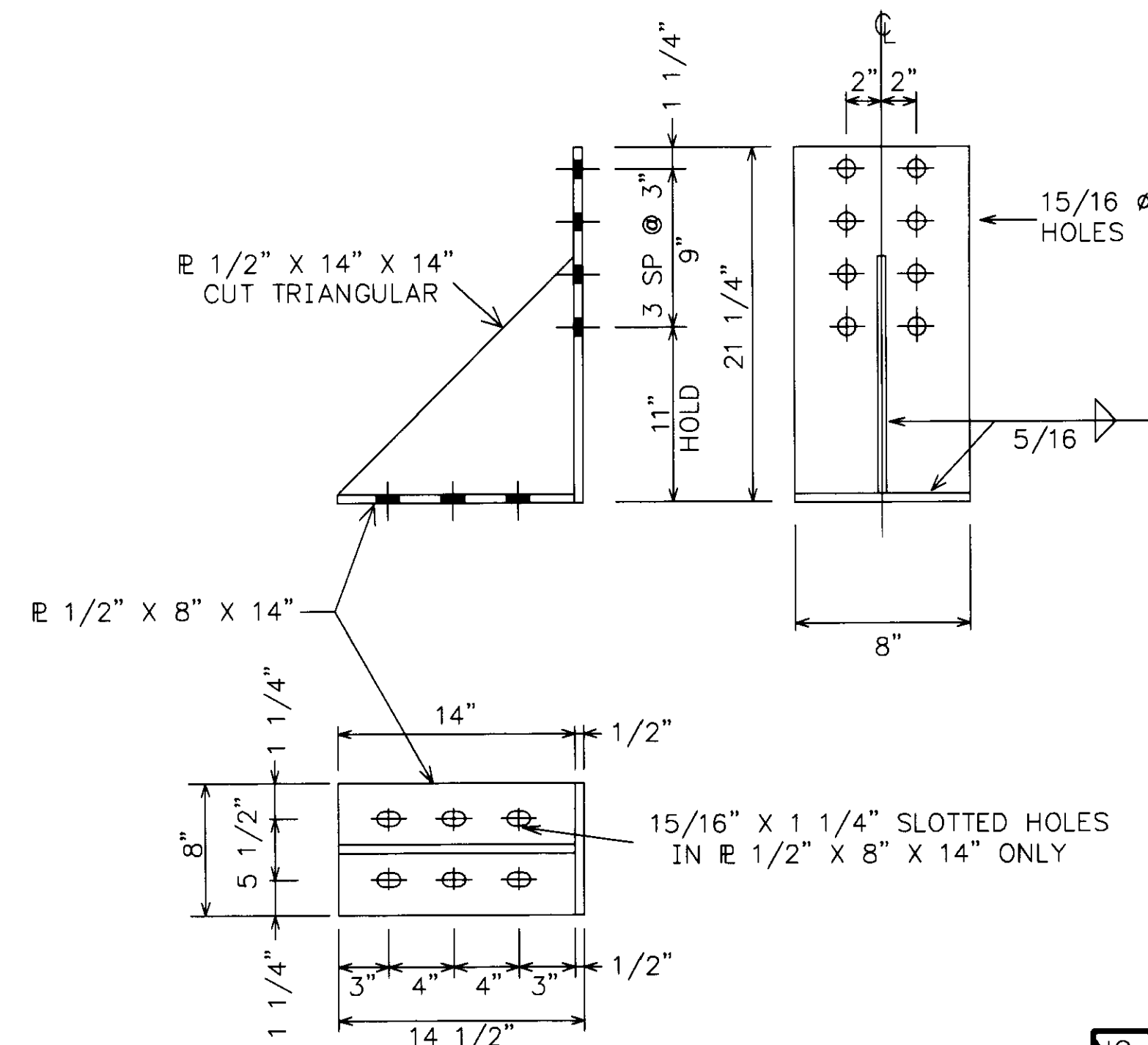


FLOORBEAM TOP FLANGE HOLE LAYOUT

W24X94  
6 REQ'D



LATERAL ROD ANCHOR LAYOUT

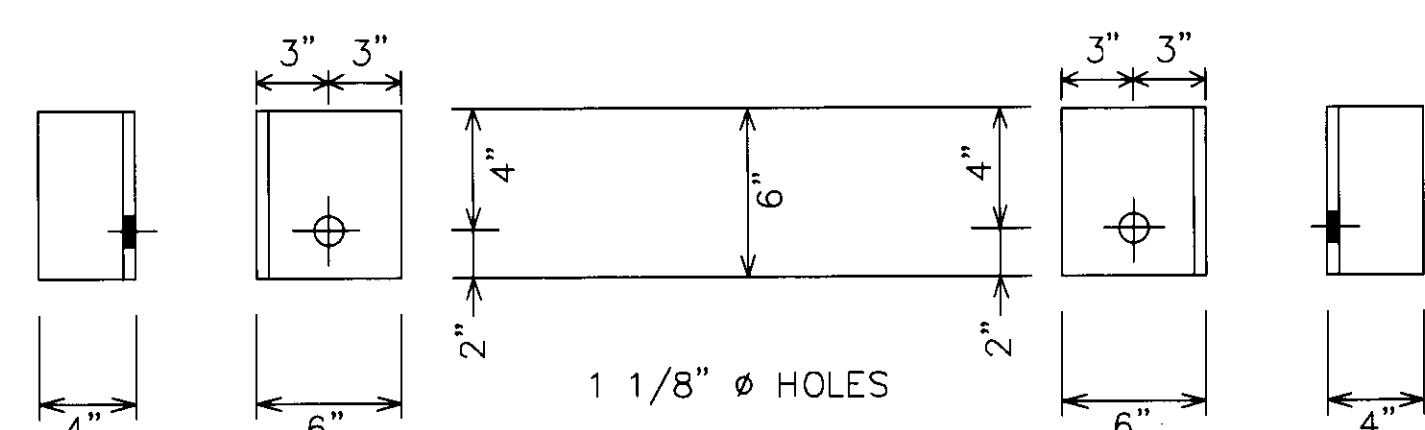


KNEE BRACKET DETAIL  
12 REQ'D

NOTE - KNEE BRACKETS 1" HIGHER THAN STANDARD KNEE BRACE TO LOWER FLOOR BEAMS 1"

LATERAL ROD LENGTHS

INTERIOR PANELS - 10 PCS - 1" Ø ROD - 25'-2" WITH 6" THREAD, NUT AND WASHER EACH END  
END PANELS - 4 PCS - 1" Ø ROD - 26'-6" WITH 6" THREAD, NUT AND WASHER EACH END



(A) L 6" X 4" X 1/2"  
12 REQ'D

(B) L 6" X 4" X 1/2"  
12 REQ'D

NOTE: DRAWINGS RELATIVE (DO NOT SCALE)

NO.	DATE	REVISIONS	BY	85' TRUSS REHAB		24' ROADWAY WIDTH	
				LICKERT-HARDER ROAD		TWP. RD. 22	
				BENTON TWP.			
				OTTAWA COUNTY, OHIO			
				DESIGN SAF	DRAWN SAF	DATE MAY 23, 2001	DRAWING NO. LICKERT
				CHECK/DATE	FABRICATOR OHIO BRIDGE		SHEET 3 OF 5