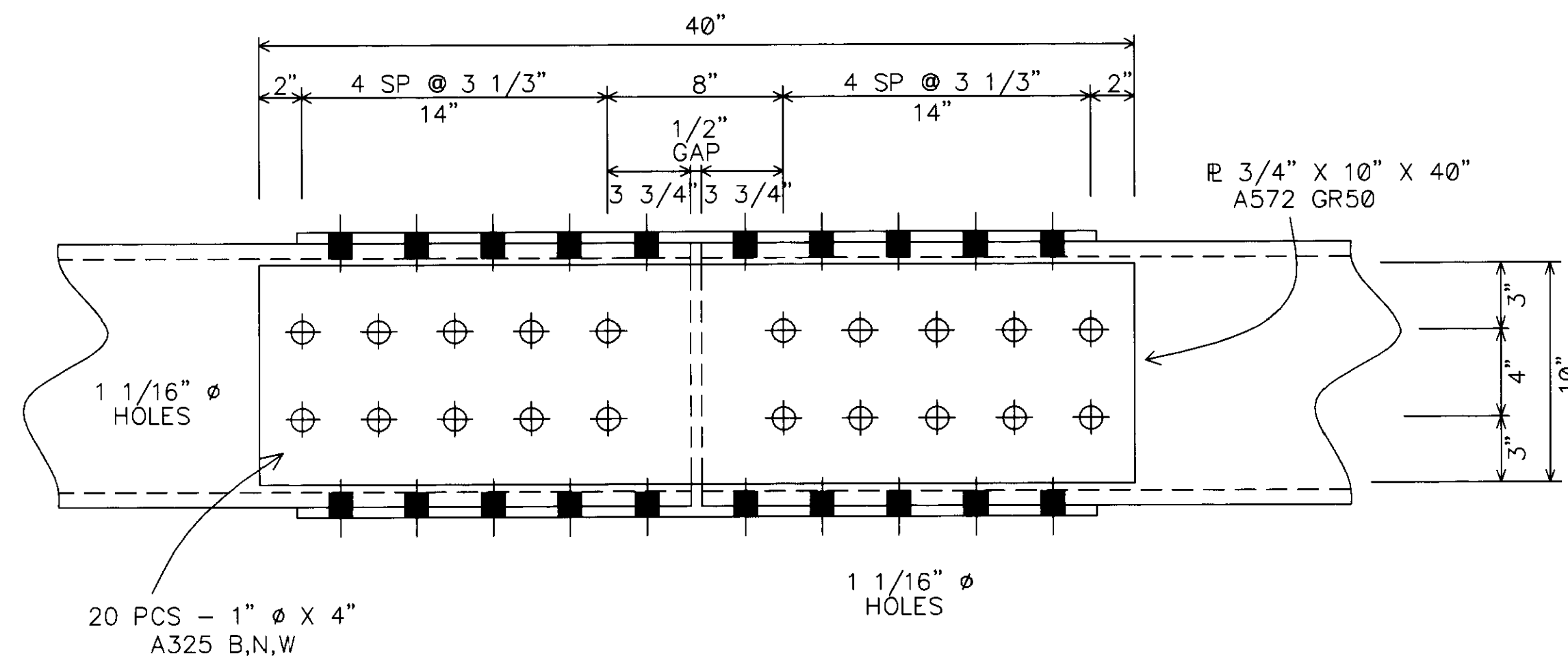
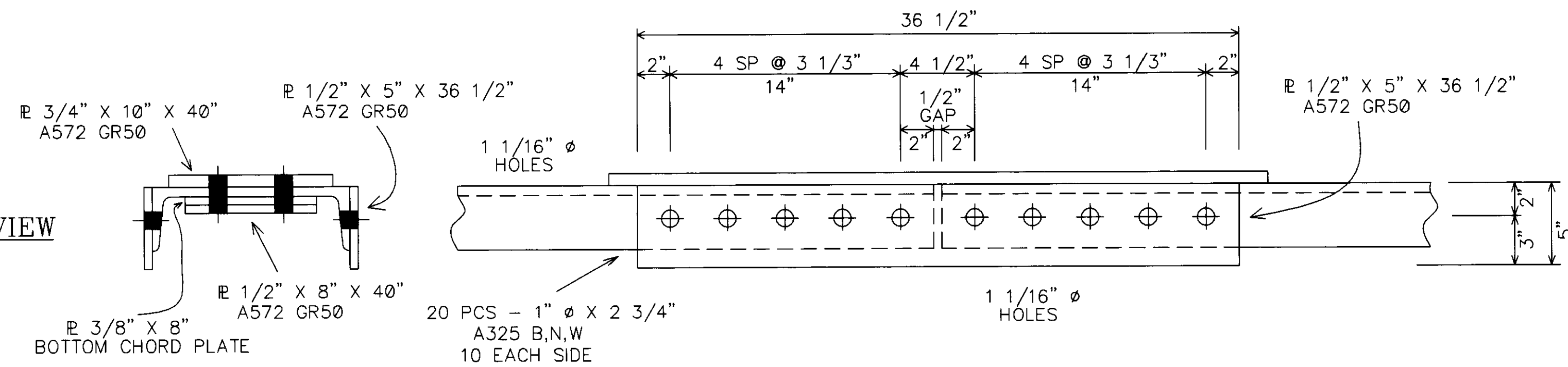


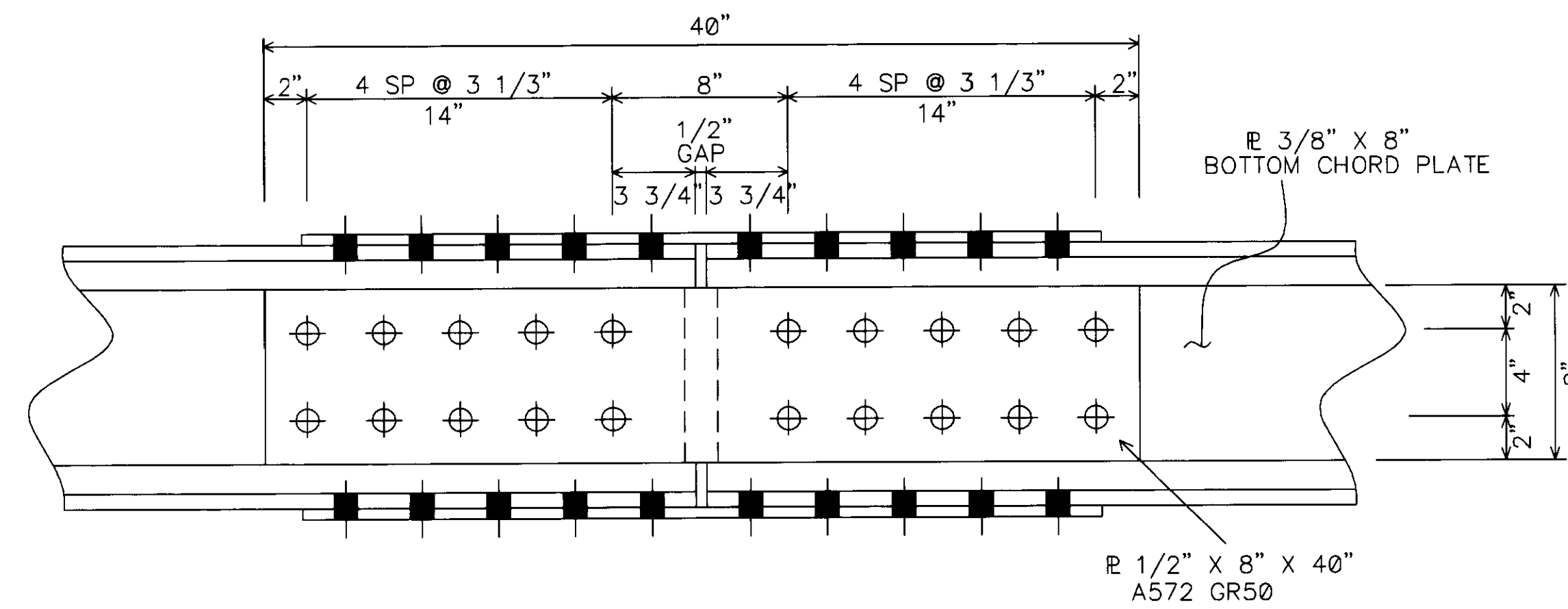
TOP VIEW



SIDE VIEW

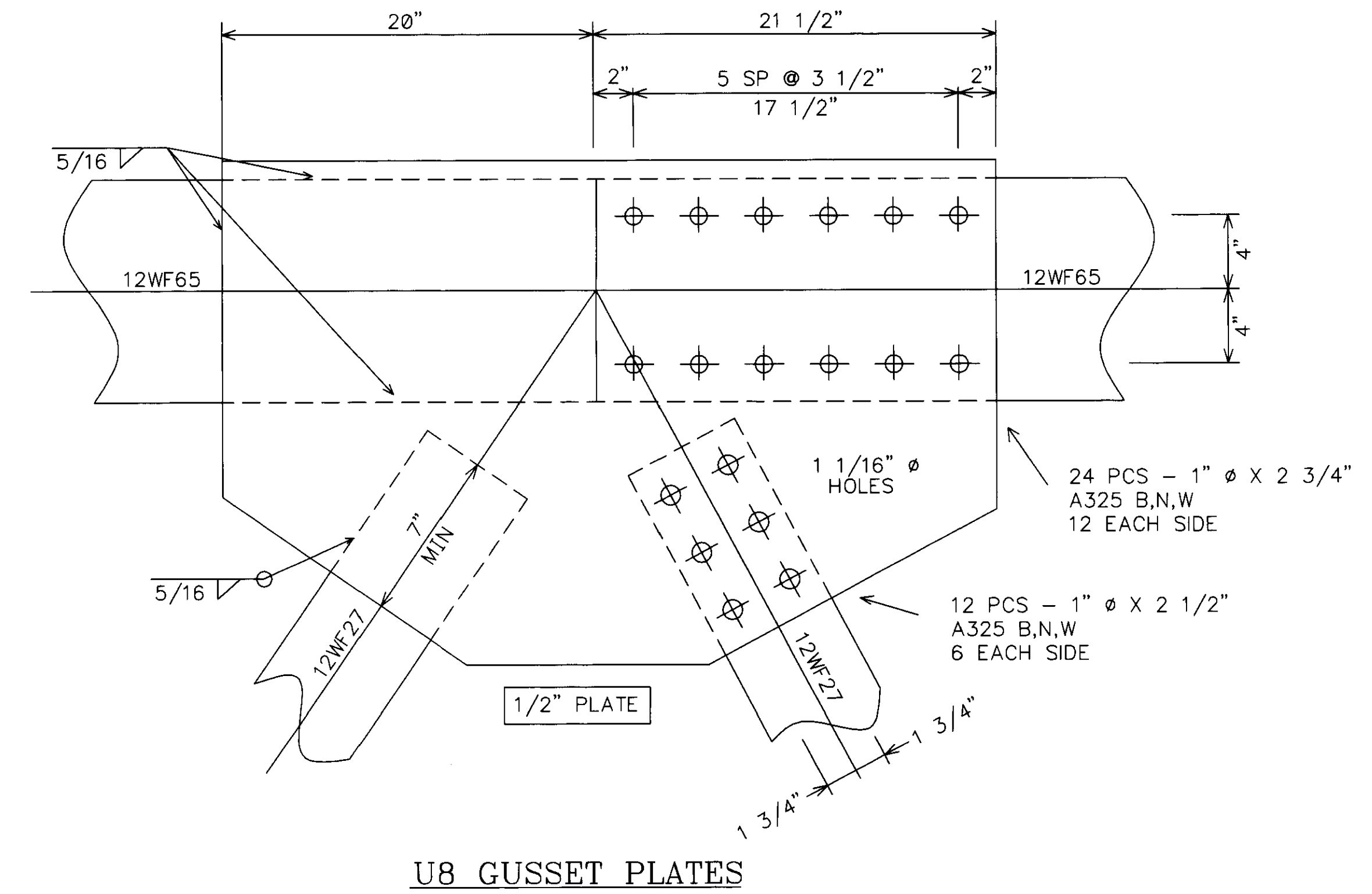


BOTTOM VIEW



L7-L9 CONNECTION DETAIL

NOTE: DRAWINGS RELATIVE (DO NOT SCALE)



DATE	REVISIONS	BY	85' TRUSS BRIDGE REHAB. 24' ROADWAY WIDTH STANGE ROAD BRIDGE NO. BEN-21-2.23 BENTON TWP. OTTAWA COUNTY, OHIO			
			DESIGN SAF	DRAWN SAF	DATE JULY 16, 2001	DRAWING NO. STANGE
			CHECK/DATE	FABRICATOR OHO BRIDGE		SHEET 6 OF 6