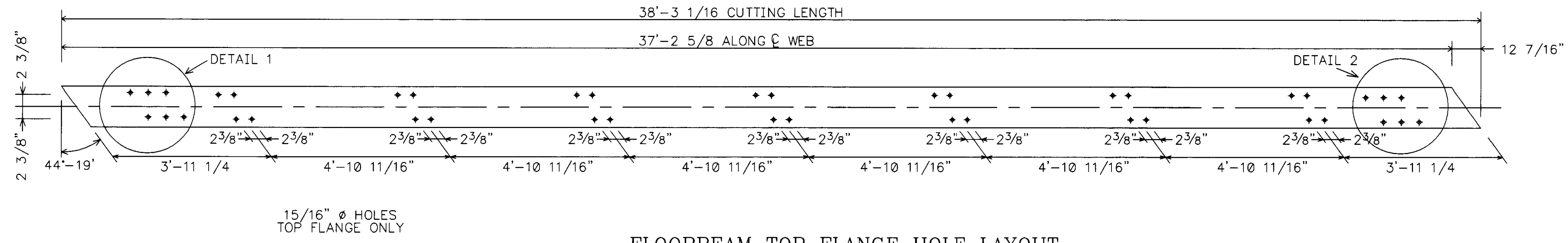
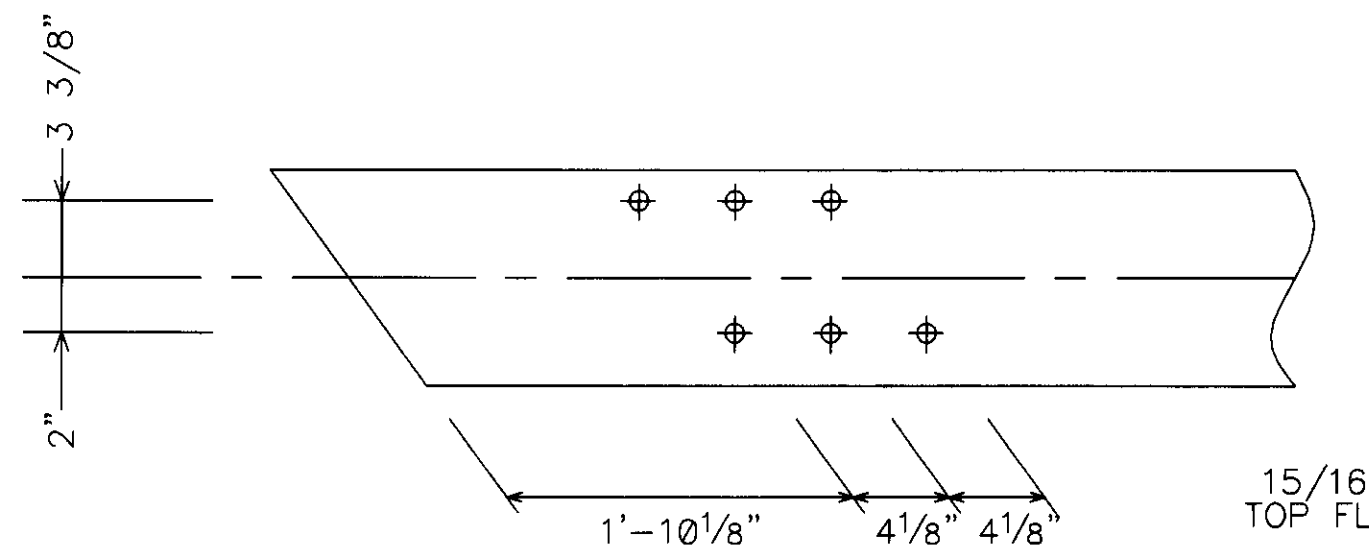


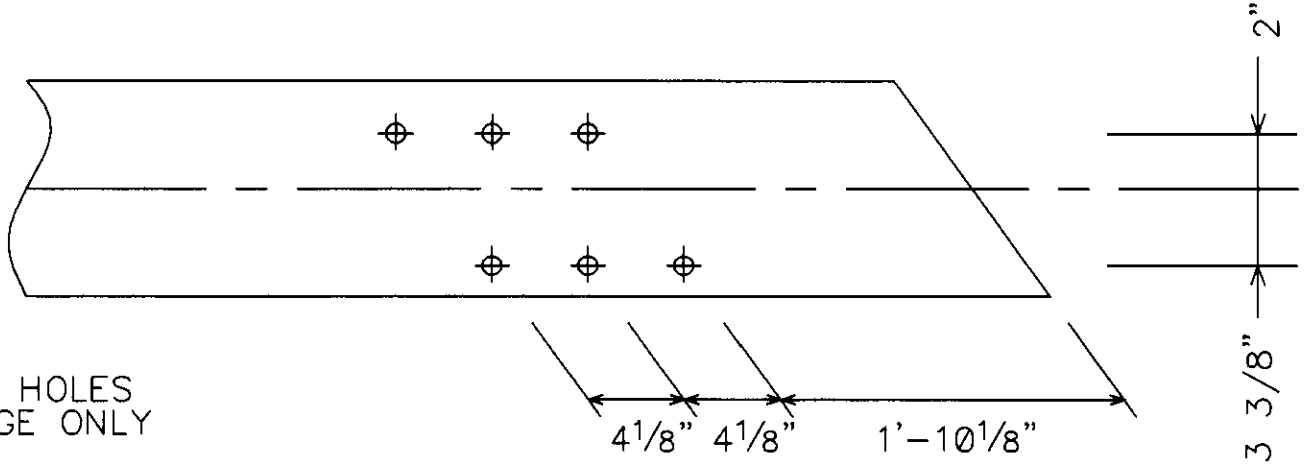
**KNEE BRACE DETAIL**  
12 REQ'D  
1/2" PLATE



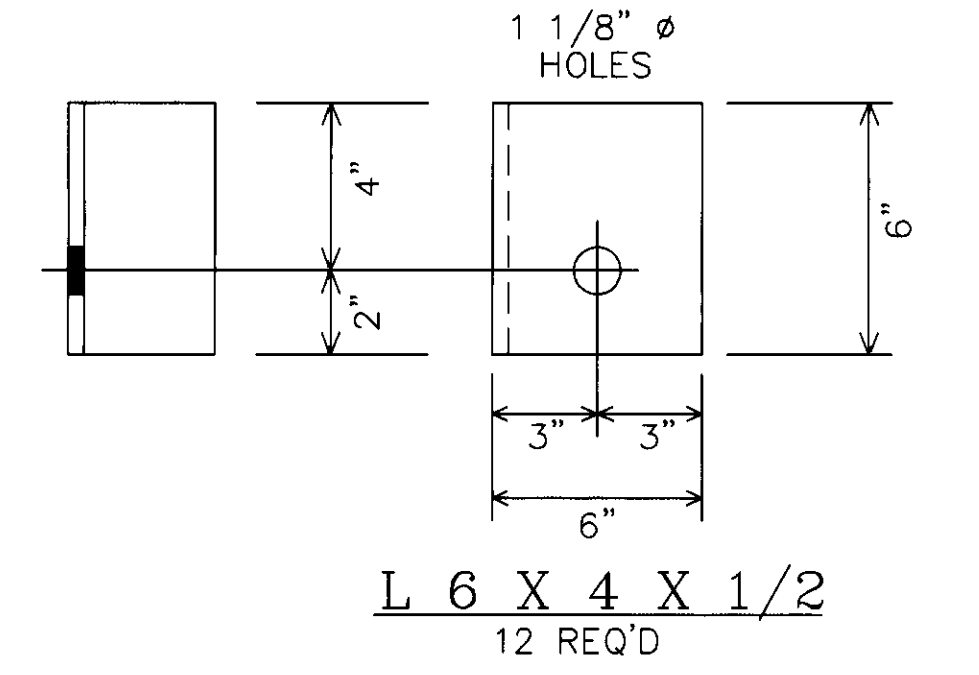
**FLOORBEAM TOP FLANGE HOLE LAYOUT**  
W24X117  
6 REQ'D



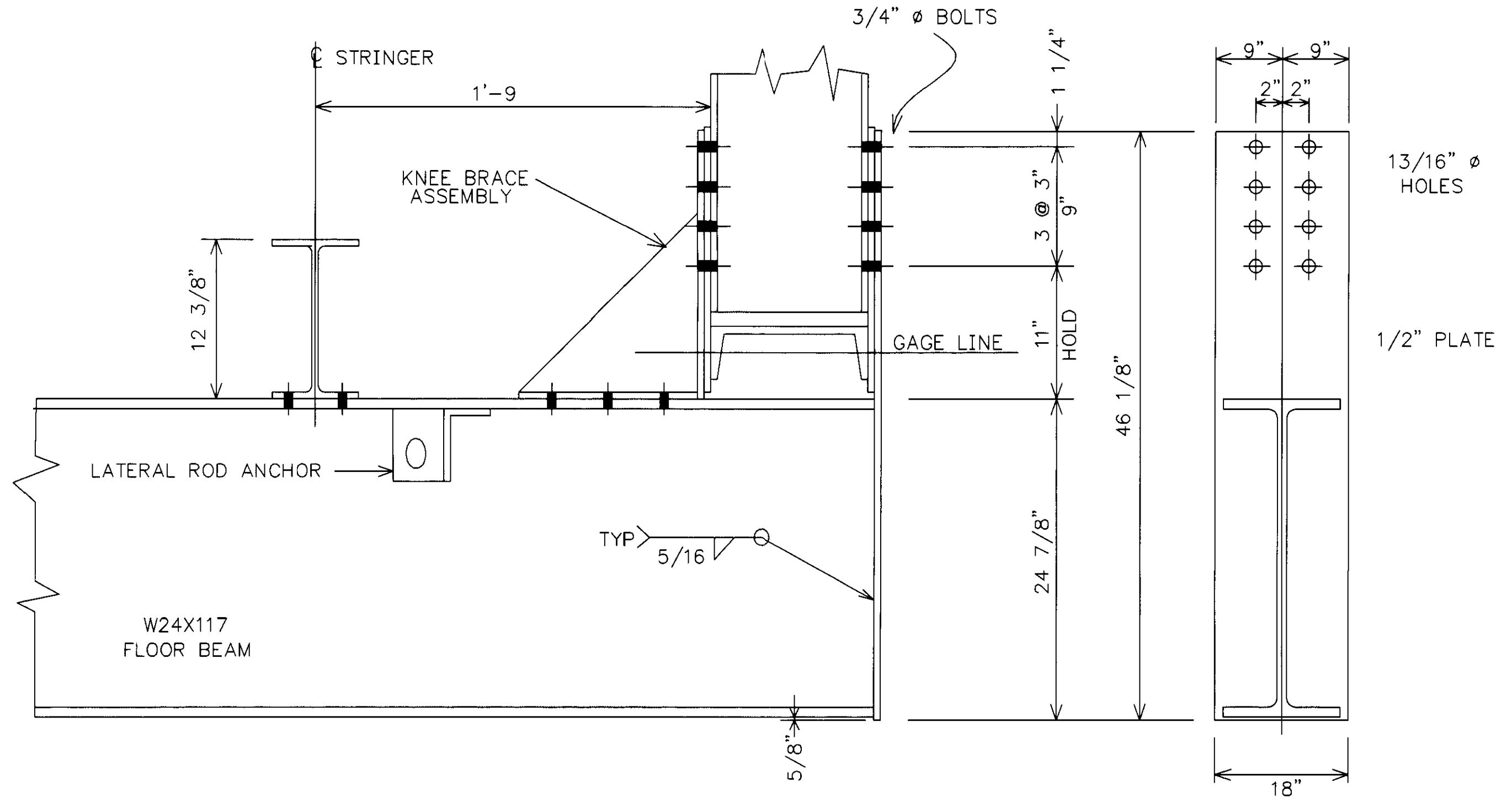
**FLOORBEAM DETAIL 1**



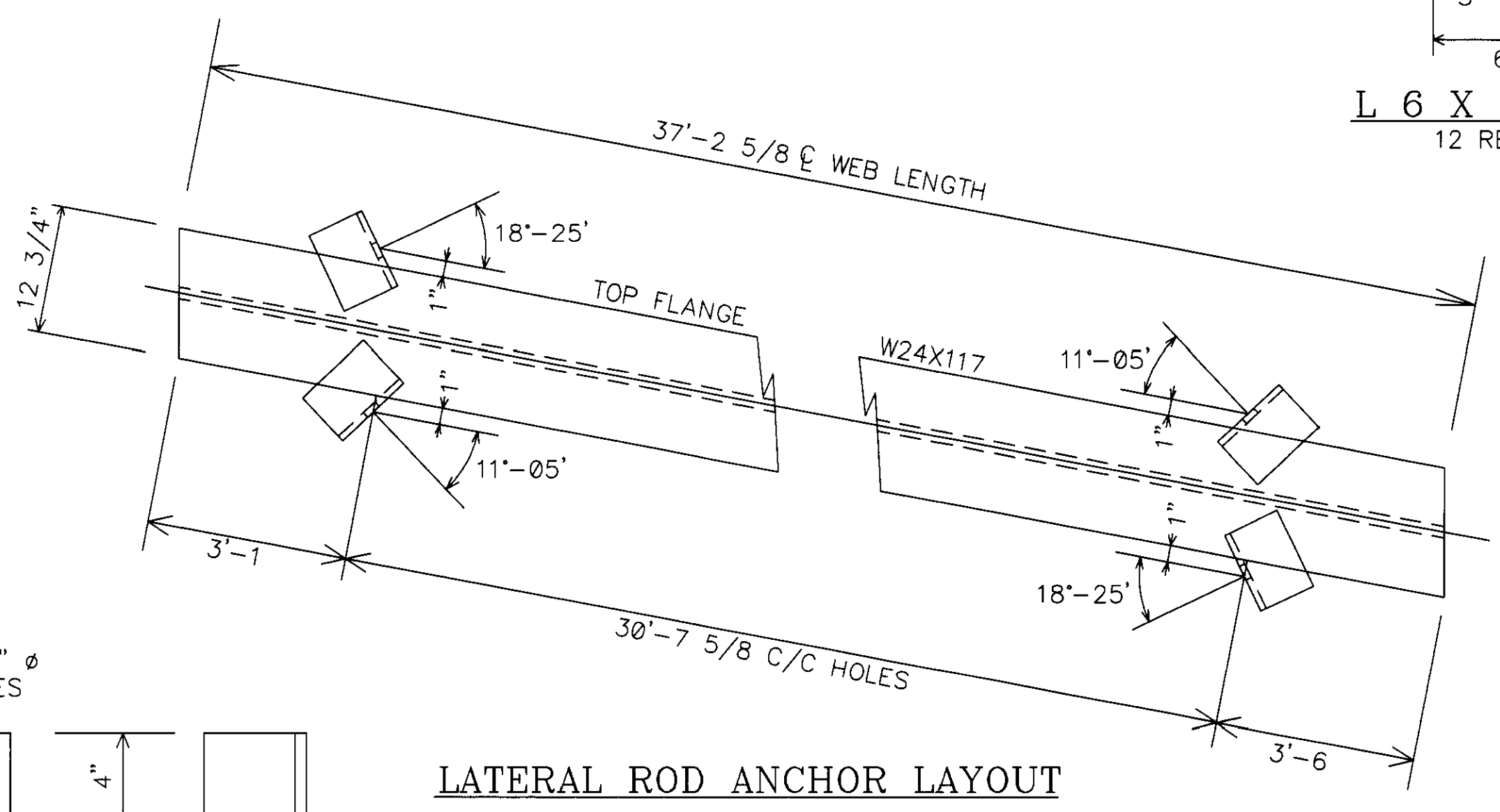
**FLOORBEAM DETAIL 2**



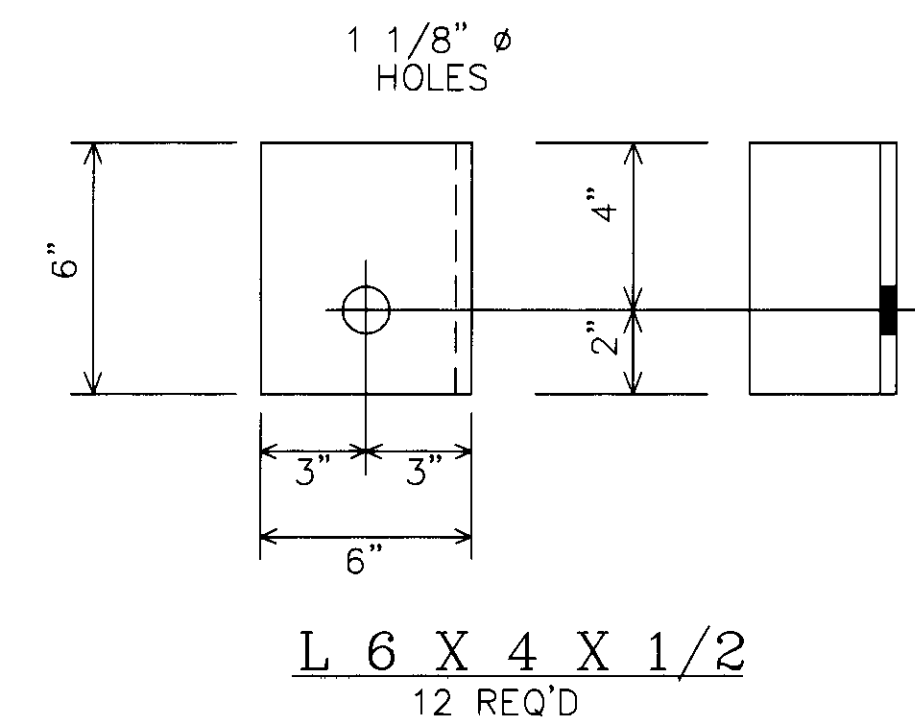
**L 6 X 4 X 1/2**  
12 REQ'D



**FLOORBEAM END PLATE DETAIL**



**LATERAL ROD ANCHOR LAYOUT**



**L 6 X 4 X 1/2**  
12 REQ'D

**LATERAL ROD LENGTHS**

- INTERIOR PANELS**  
5 PCS - 1" Ø ROD - 24'-5 WITH 6" THREAD EACH END  
5 PCS - 1" Ø ROD - 39'-10 WITH 6" THREAD EACH END
- END PANELS**  
2 PCS - 1" Ø ROD - 27'-0 WITH 8" THREAD ON ONE END  
2 PCS - 1" Ø ROD - 40'-9 WITH 8" THREAD ON ONE END

NOTE: DRAWINGS RELATIVE (DO NOT SCALE)

DATE	REVISIONS	BY	85' TRUSS BRIDGE REHAB. 24' ROADWAY WIDTH STANGE ROAD BRIDGE NO. BEN-21-2.23 BENTON TWP. OTTAWA COUNTY, OHIO		
1 8-14-01	FLOOR BEAMS	SAF	DESIGN SAF	DRAWN SAF	DATE JULY 24, 2001
2 8-14-01	LATERAL RODS	SAF	CHECK/DATE	FABRICATOR OHO BRIDGE	DRAWING NO. STANGE
					SHEET 3 OF 6