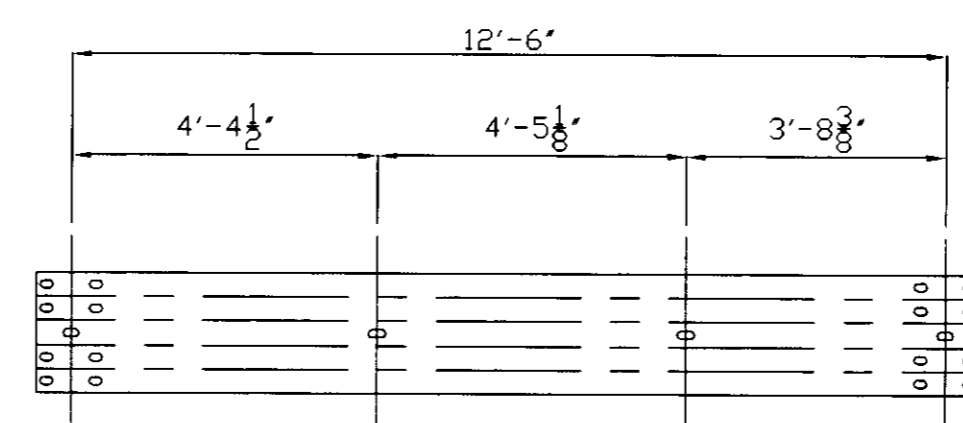
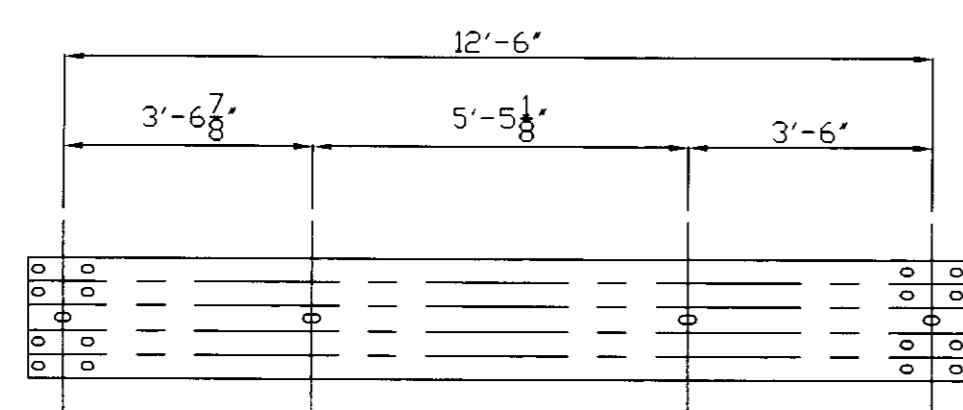


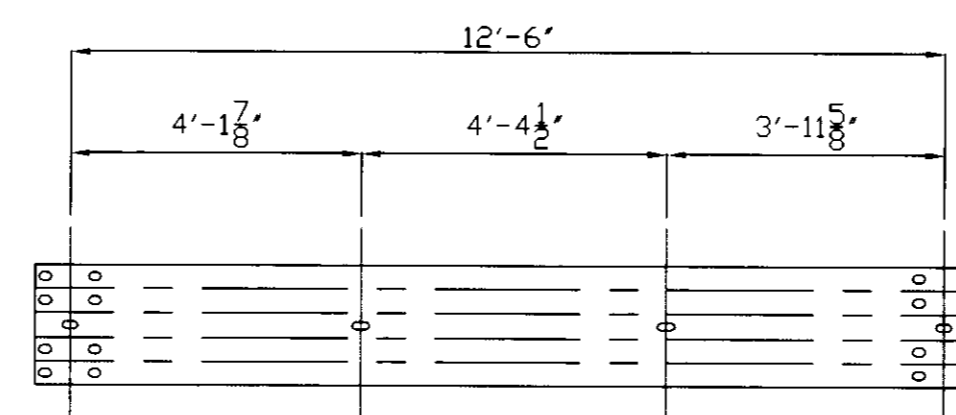
RAIL A - 4 REQ'D



RAIL C - 4 REQ'D



RAIL B - 4 REQ'D



RAIL D - 4 REQ'D

NOTE: ALL HOLES ARE 3/4"ØX 3" SLOTTED

NOTE: DRAWINGS RELATIVE (NOT TO SCALE)

NO	DATE	REVISIONS	BY	85' TRUSS GUARD RAIL DETAILS STANGE RD OTTAWA COUNTY, OHIO			
				DESIGN	DRAWN MSB	DATE AUG 8, 2001	DRAWING NO.
				CHECK/DATE	FABRICATOR OHIO BRIDGE COMPANY		SHEET 1 OF 1