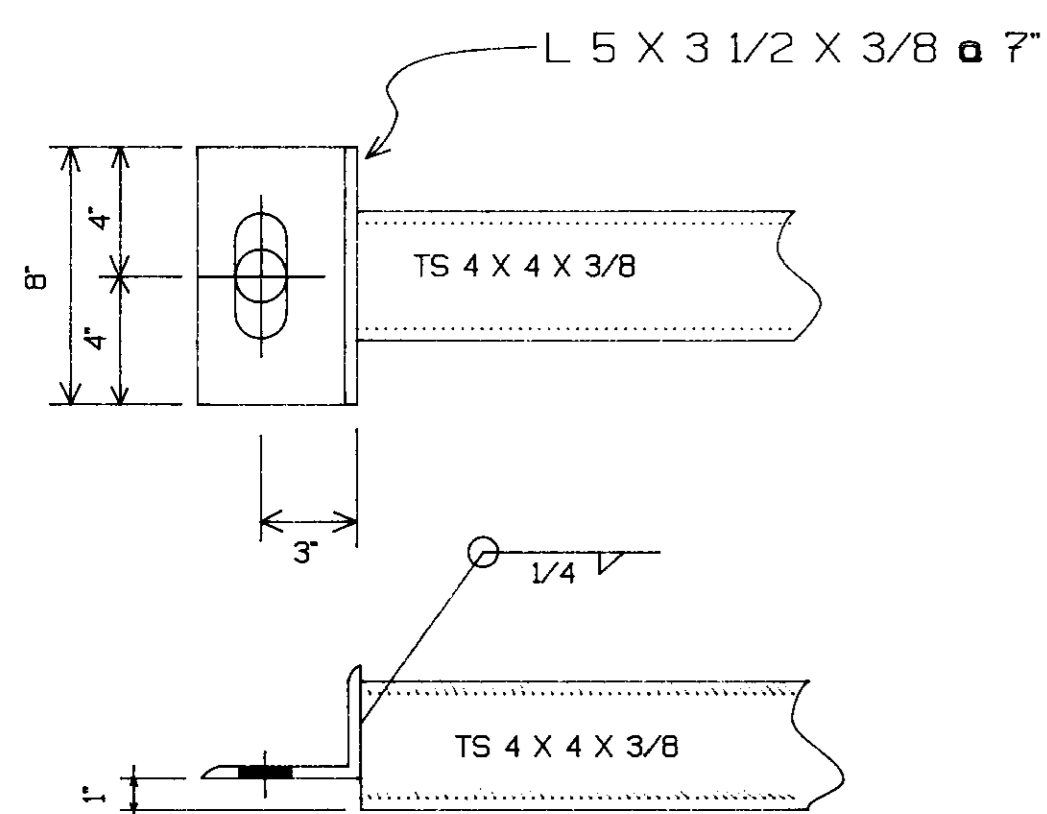
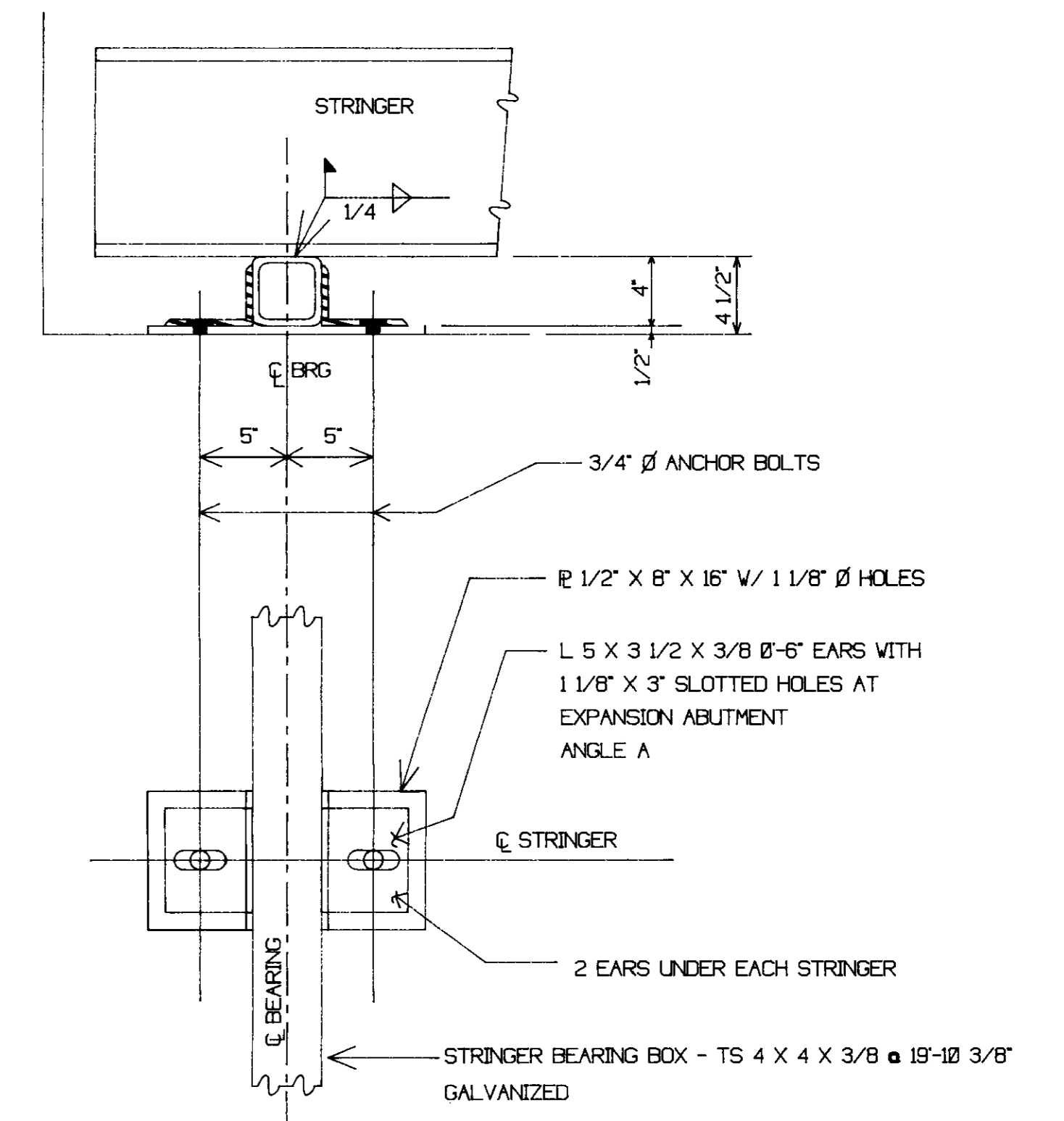
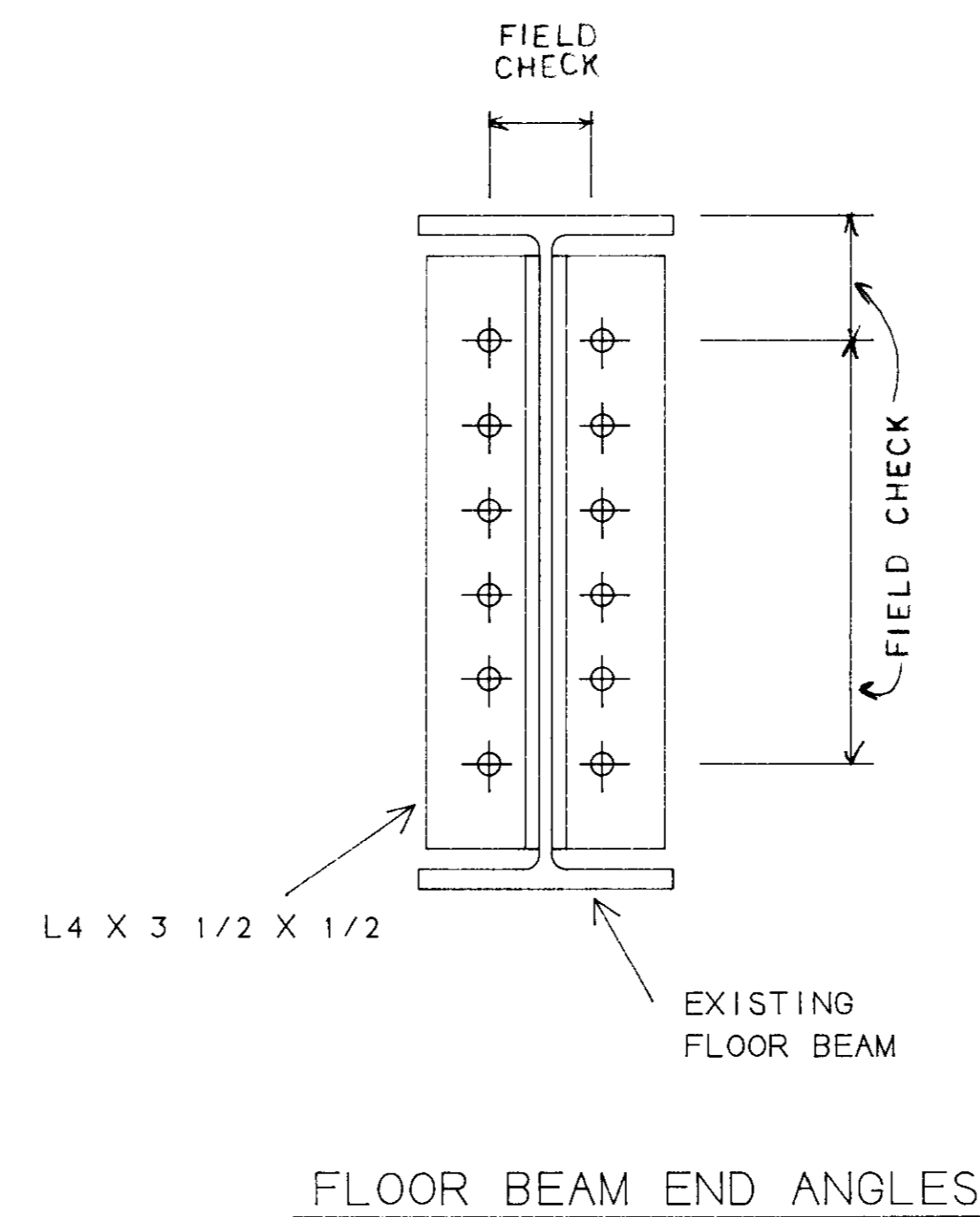
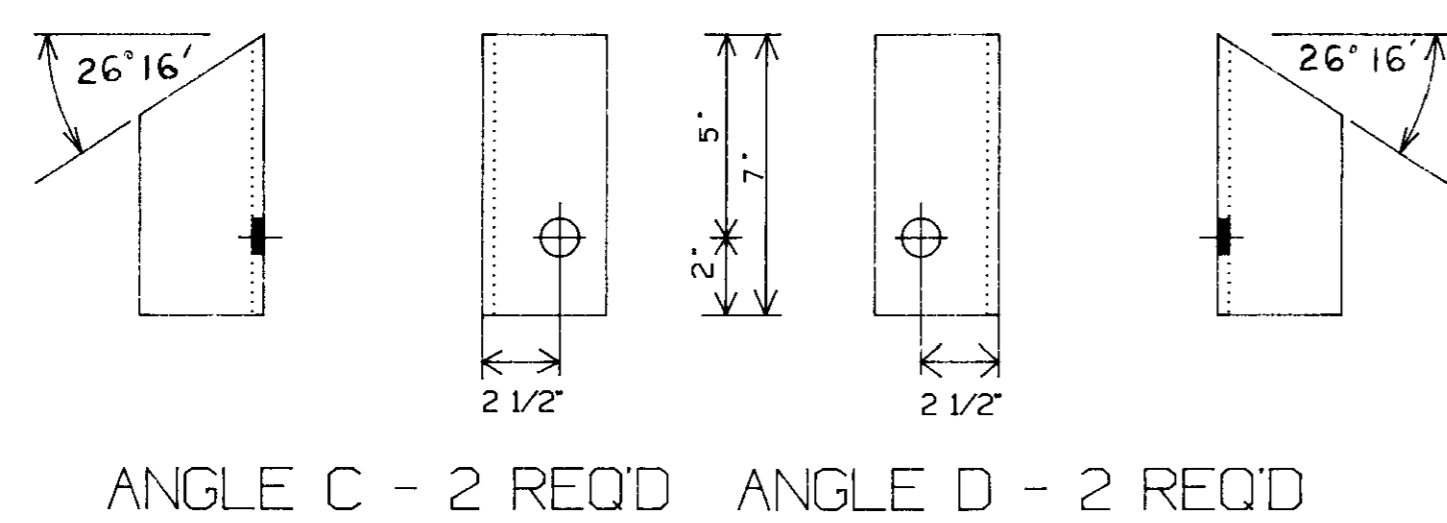
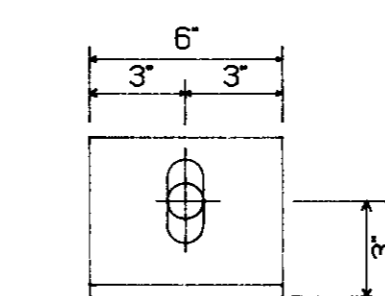


LATERAL ROD ATTACHMENT AT ABUTMENT



2 WITH 1 5/8" X 4 1/2" SLOTTED HOLES

2 WITH 1 5/8" Ø HOLES



18 WITH 1 5/8" X 3" SLOTTED HOLES

18 WITH 1 1/8" Ø HOLES

NOTE - TRUSS IS 4 PANELS @ 11'-0" EACH WITH 9 LINES OF NEW A588 W12X26 STRINGERS

NOTE - FIELD CHECK LENGTH OF LATERAL RODS

NON-FABRICATED STEEL		
FLOOR	5 GA 2X6 GALV	30 PCS @ 24'-0"
EXP ANGLE	L4 X 3 1/2 X 3/8	4 PCS @ 24'-0"

NO	DATE	REVISIONS	BY	44' TRUSS BRIDGE REHAB 24' ROADWAY	
				GRAYTOWN ROAD	COUNTY RD 19
				BENTON TWP.	BRIDGE BE-19-3.54
				OTTAWA COUNTY, OHIO	
		DESIGN	DRAWN	DATE	DRAWING NO.
		REVIEWED	SAF	MAY 9, 1994	OTTAWA
					SHEET
					1 OF 1

NOTE: DRAWINGS RELATIVE DO NOT SCALE