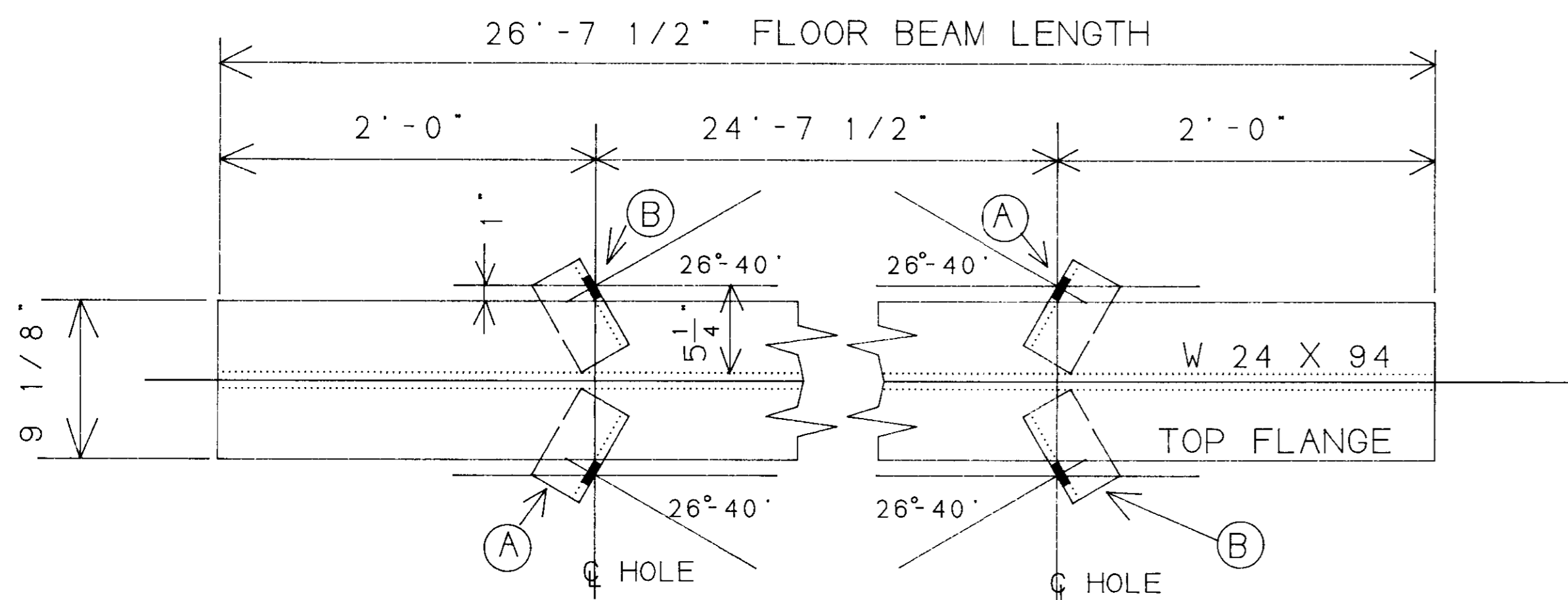
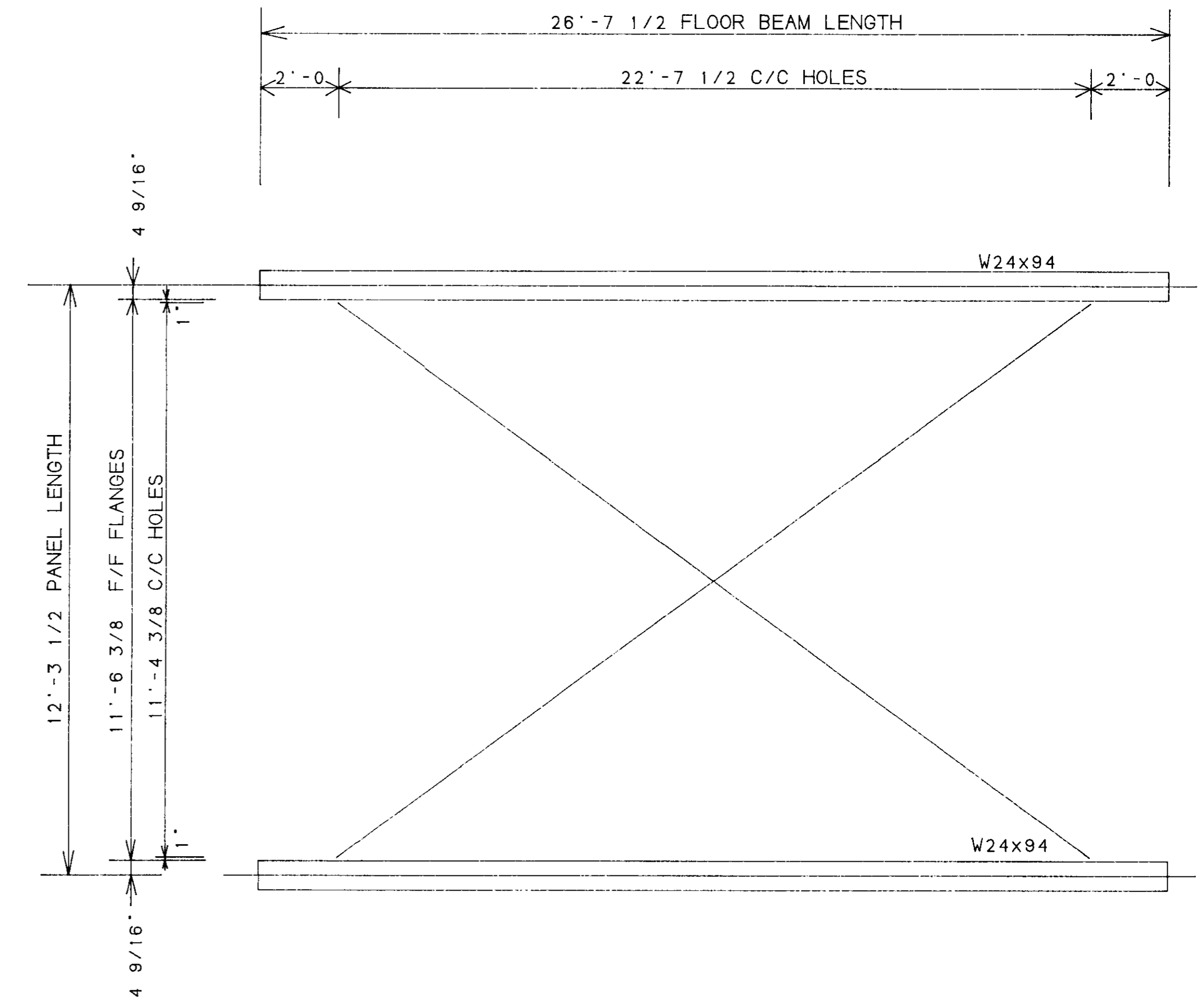
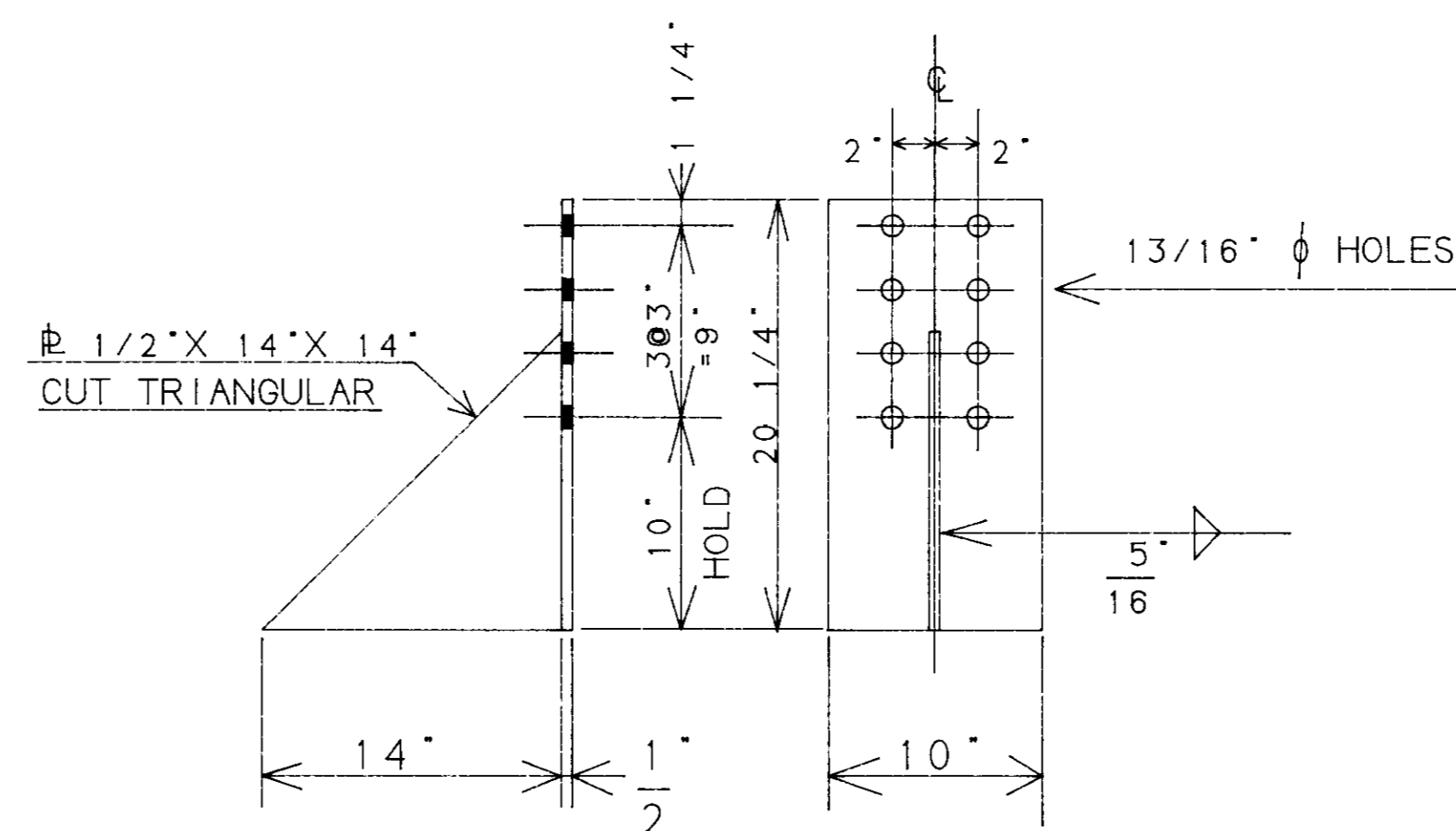


FLOOR BEAM AND END PLATE DETAIL



LATERAL ROD ANCHOR LAYOUT



KNEE BRACE DETAIL

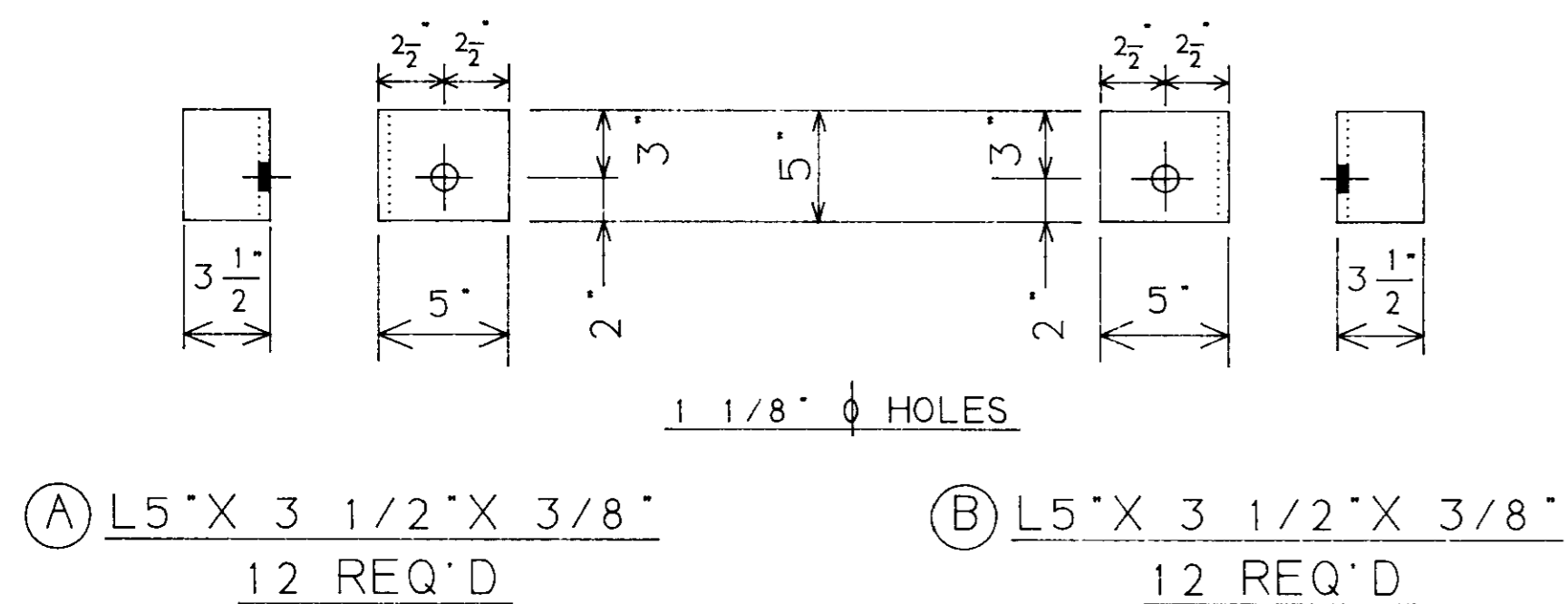
12 REQ'D

$$\text{ANGLE CALC.} = \frac{11.365}{22.625} = 0.502 = 26.67^\circ = 26^\circ 40'$$

$$\text{LENGTH CALC.} = \frac{22.625}{\cos 26.67^\circ} = 25.3187' = 25'-3 \frac{13}{16}''$$

LATERAL ROD LENGTHS  
14 RODS - 1" Ø X 25'-10 WITH 6" THREAD EACH END

NOTE-TRUSS IS 7 PANELS @ 12'-3 1/2" EACH  
WITH 9 LINES OF NEW A588 W12X26 STRINGERS



NOTE: DRAWINGS RELATIVE DO NOT SCALE

NO	DATE	REVISIONS	BY	87' TRUSS BRIDGE REHAB	24' ROADWAY
				GRAYTOWN ROAD	COUNTY RD 19
				BENTON TWP.	BRIDGE BE-19-1.99
				OTTAWA COUNTY, OHIO	
			DESIGN	DRAWN	DATE
			DLM	SAF	MAY 6, 1994
			REVIEWED		
				DRAWING NO.	SHEET
				OTTAWA	2 OF 2