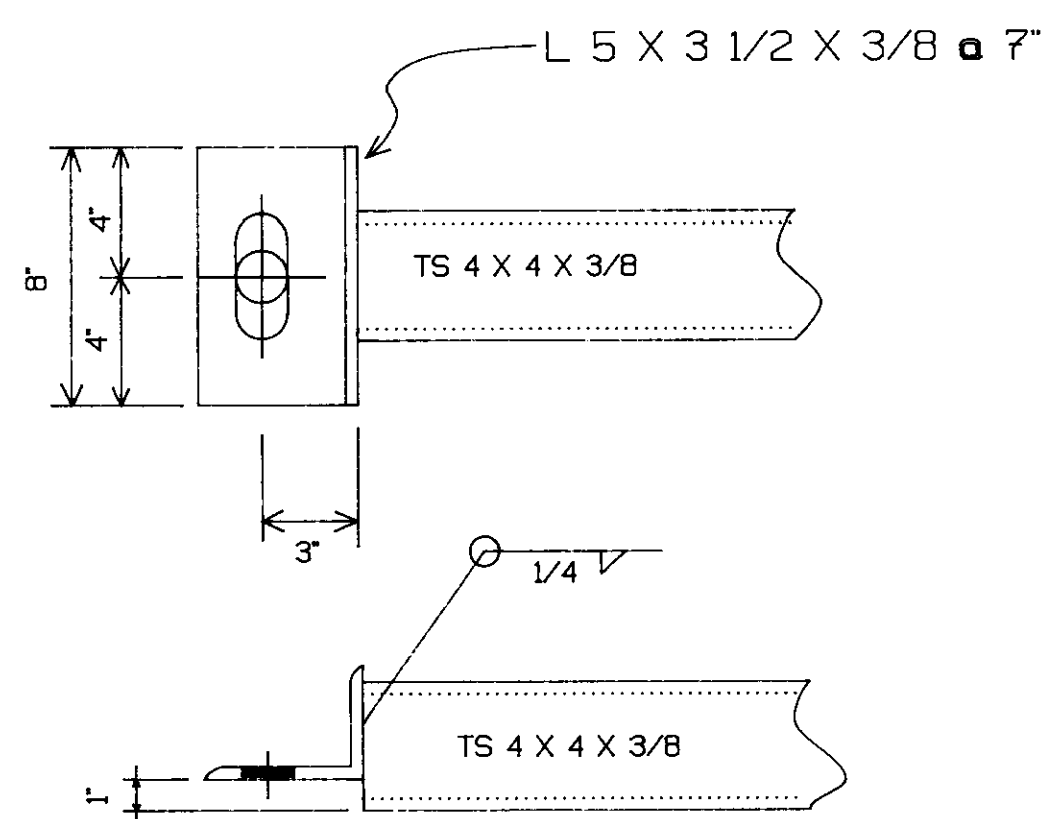
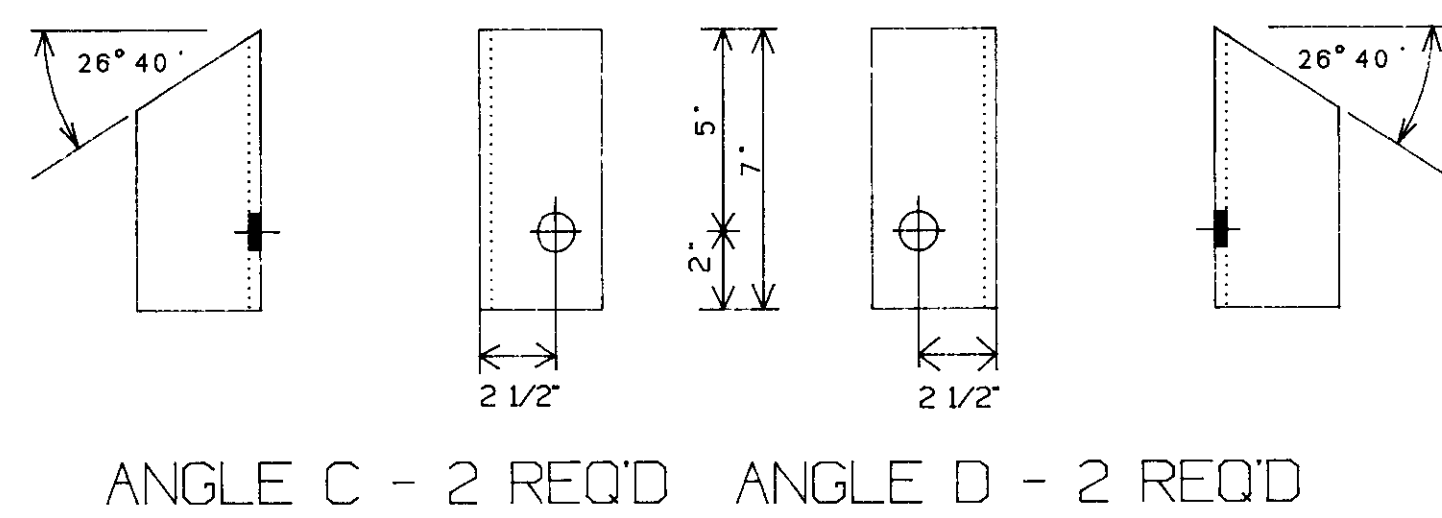


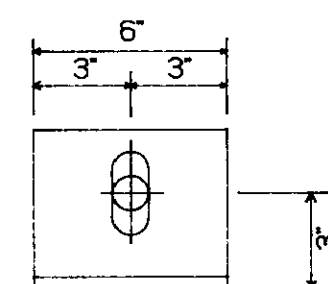
LATERAL ROD ATTACHMENT AT ABUTMENT



ANGLE B - 4 REQ'D

2 WITH 1 5/8" X 4 1/2" SLOTTED HOLES

2 WITH 1 5/8" Ø HOLES

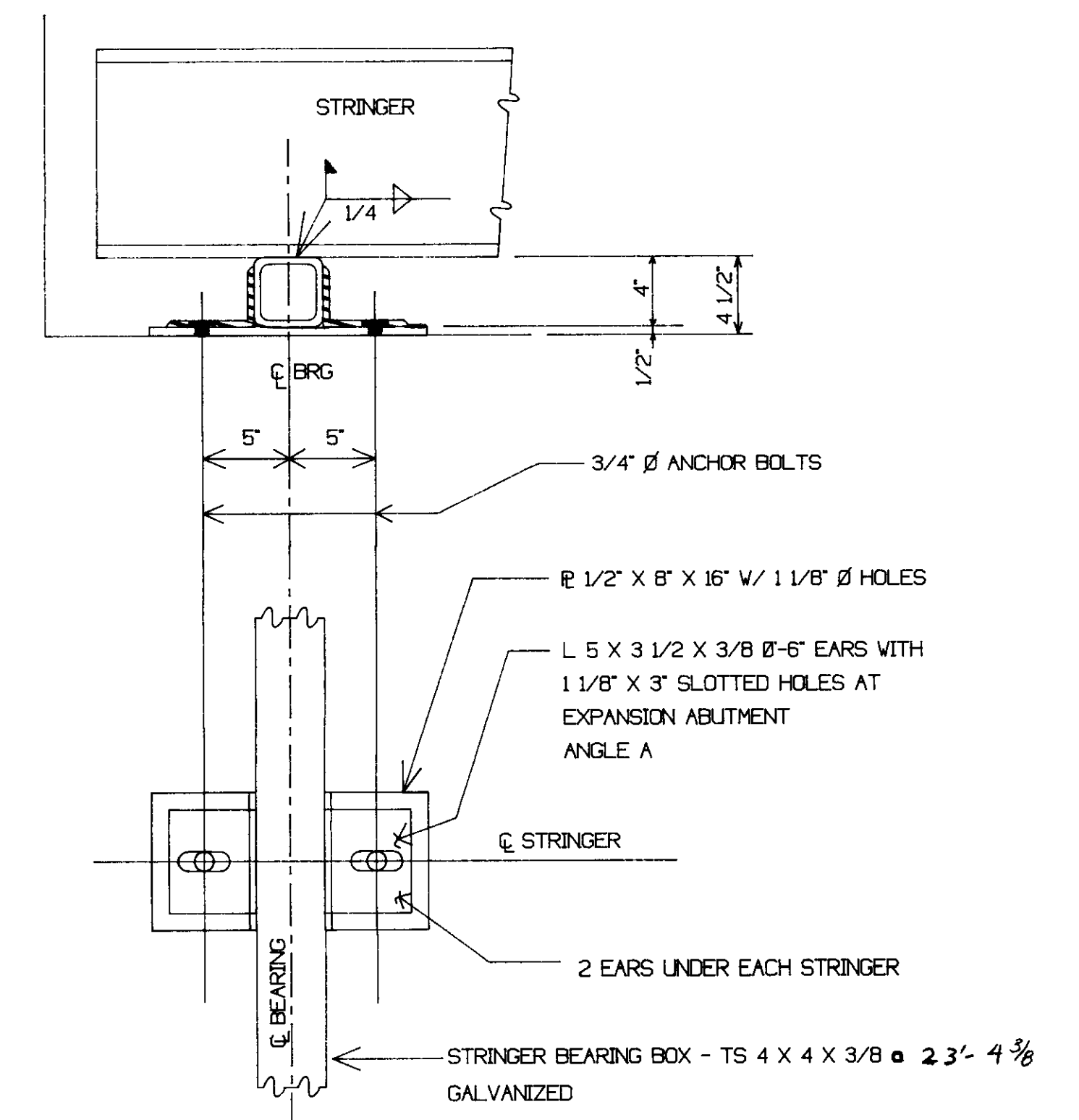


ANGLE A

18 WITH 1 5/8" X 3" SLOTTED HOLES

18 WITH 1 1/8" Ø HOLES

NON FABRICATED STEEL		
FLOOR	5GA 2X6 GALV	44 PCS @ 24'-0"
EXP ANGLE	L4X3 1/2 X 3/8	4 PCS @ 24'-0"



NO	DATE	REVISIONS	BY	87' TRUSS BRIDGE REHAB 24' ROADWAY
				GRAYTOWN ROAD COUNTY RD 19
				BENTON TWP. BRIDGE BE-19-1.99
				OTTAWA COUNTY, OHIO
				DESIGN DLM DRAWN SAF DATE MAY 6, 1994 DRAWING NO.
				REVIEWED OTTAWA SHEET 1 OF 2

NOTE: DRAWINGS RELATIVE DO NOT SCALE