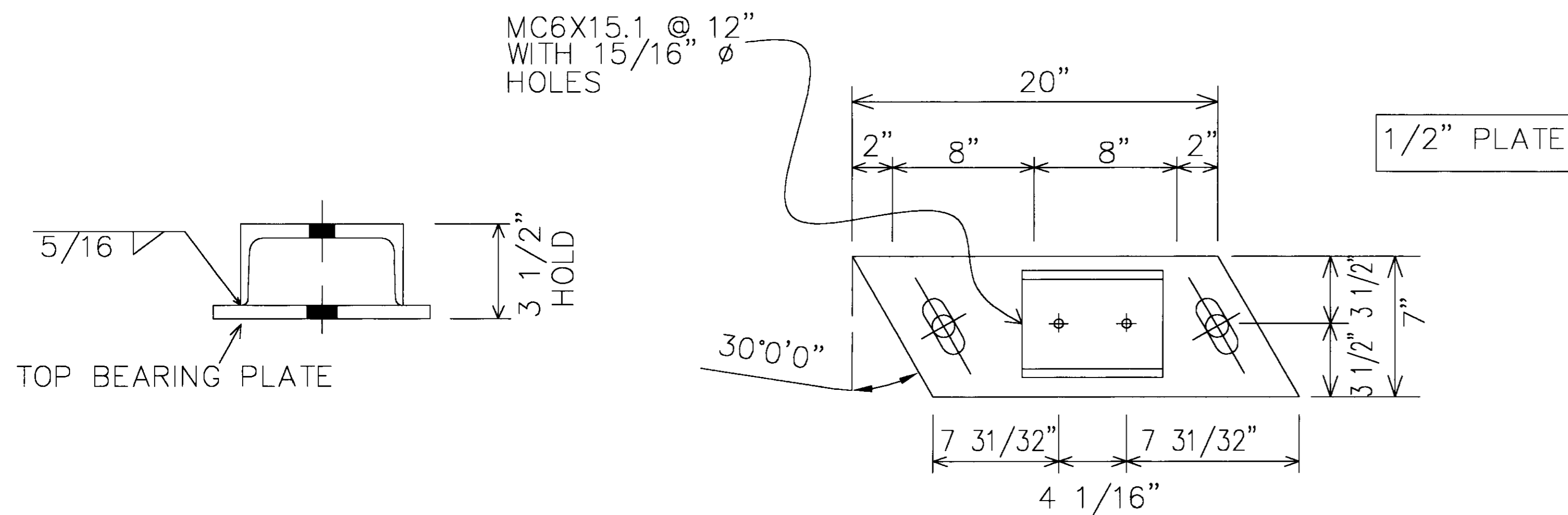


FLOOR BEAM AND END PLATE DETAIL



STRINGER BEARING PLATE DETAIL - 14 REQ'D

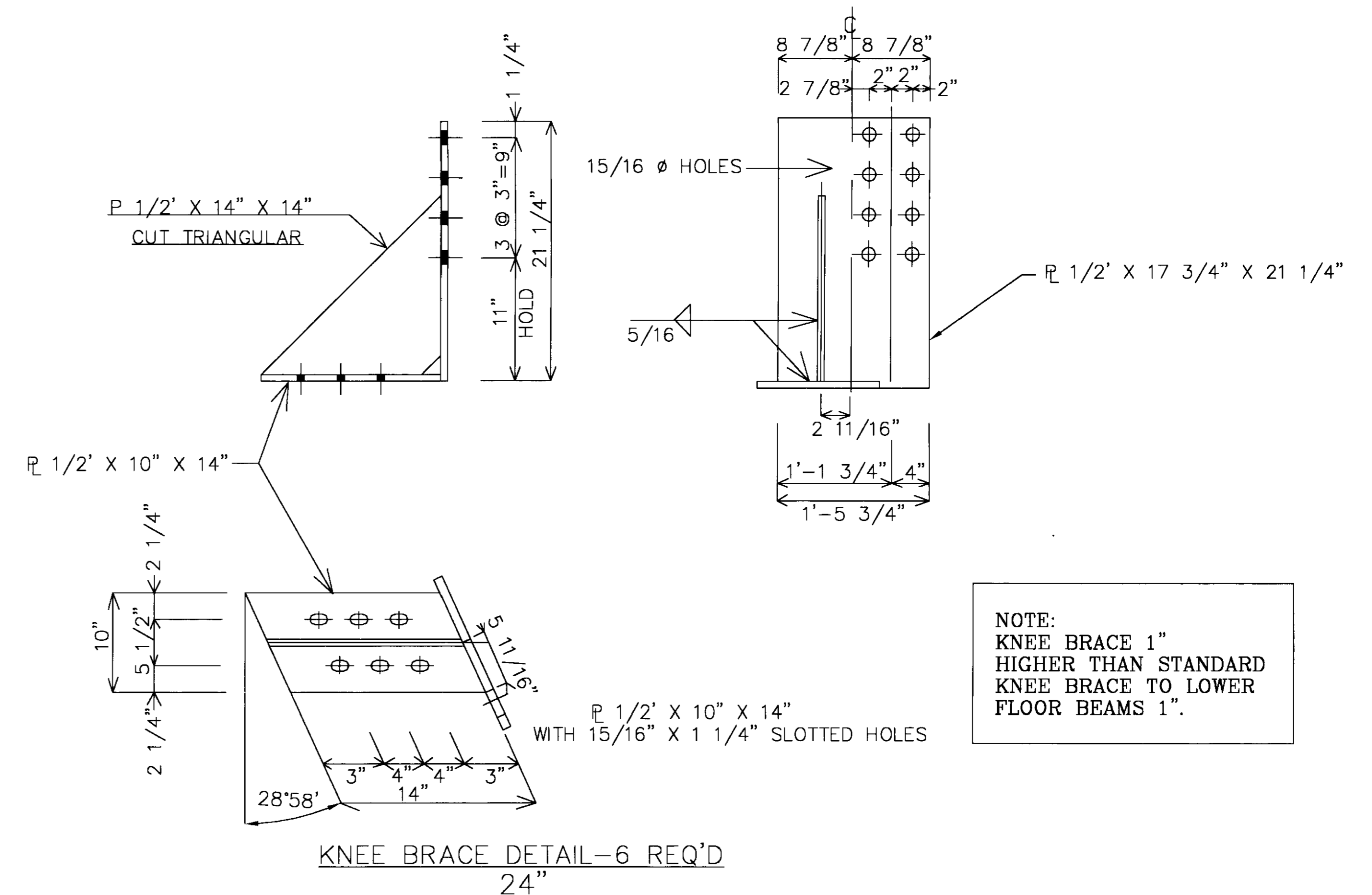
FIXED END

- 7 PLATES WITH 1 1/8" Ø HOLES AND CHANNEL - TOP PLATES
- 7 PLATES WITH 1 1/8" Ø HOLES - BOTTOM PLATES

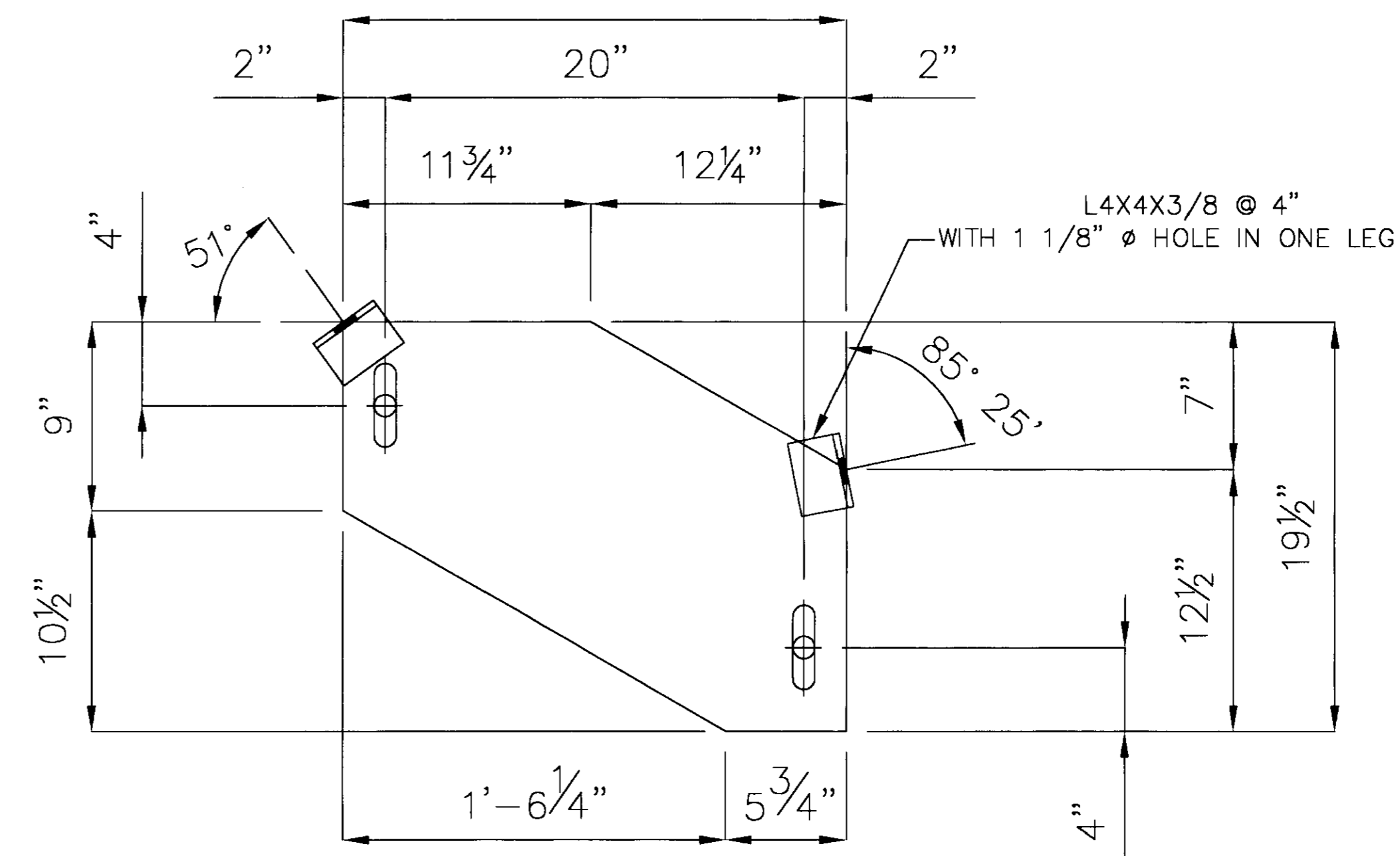
EXPANSION END

- 7 PLATES WITH 1 1/8" X 3" SLOTTED HOLES AND CHANNEL - TOP PLATES
- 7 PLATES WITH 1 1/8" Ø HOLES - BOTTOM PLATES

NOTE: DRAWINGS RELATIVE DO NOT SCALE



NOTE:
KNEE BRACE 1"
HIGHER THAN STANDARD
KNEE BRACE TO LOWER
FLOOR BEAMS 1".



TRUSS BEARING PLATES

FIXED ABUTMENT

- 4 - P 3/4" X 14" X 24" WITH 1 5/8" Ø HOLES (TOP & BOTTOM PLATES)

EXP. ABUTMENT

- 2 - P 3/4" X 14" X 24" WITH 1 5/8" X 4 1/2" SLOTTED HOLES (TOP PLATES)
- 2 - BRONZE P 1/4" X 12" X 24" WITH 1 5/8" Ø HOLES (MIDDLE PLATES)
- 2 - P 1/2" X 14" X 24" WITH 1 5/8" Ø HOLES (BOTTOM PLATES)

NO.	DATE	REVISIONS	BY	64'-6" TRUSS REHAB 24' ROADWAY WIDTH WALLBRIDGE EAST ROAD OVER CRANE CREEK ALLEN TWP. OTTAWA COUNTY, OHIO			
				DESIGN DLM	DRAWN MSB	DATE MAY 23, 2001	DRAWING NO. 64X24
				CHECK/DATE DLM	FABRICATOR OHIO BRIDGE		SHEET 5 OF 6