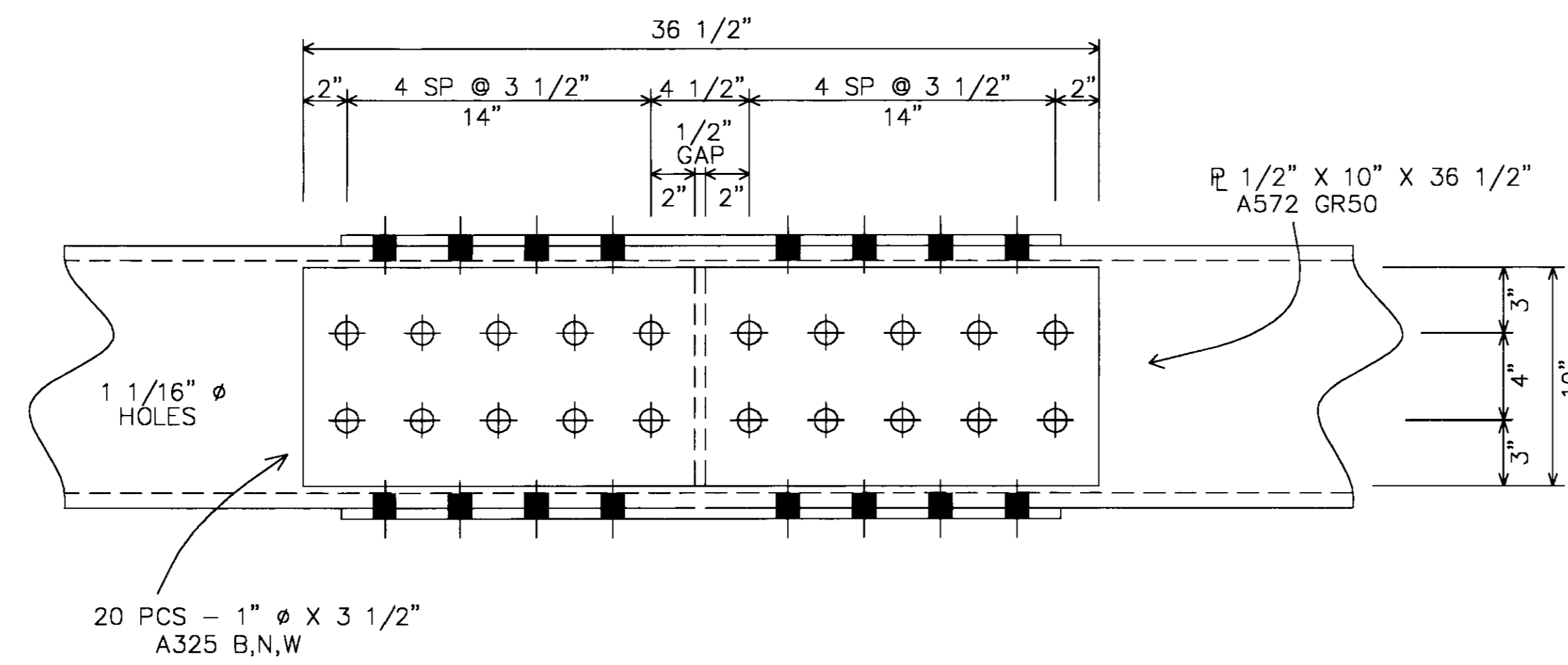
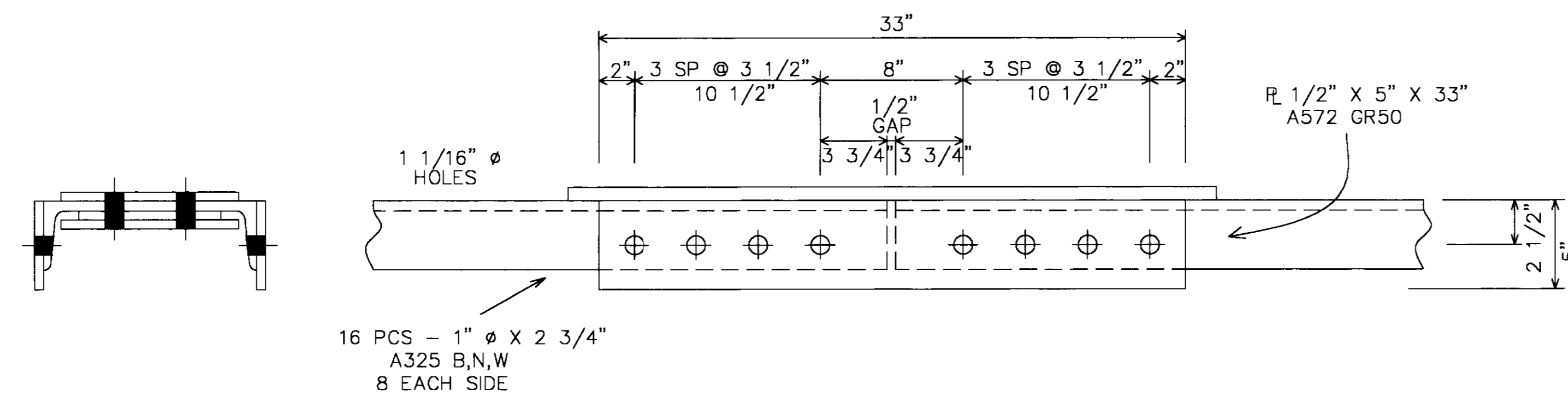


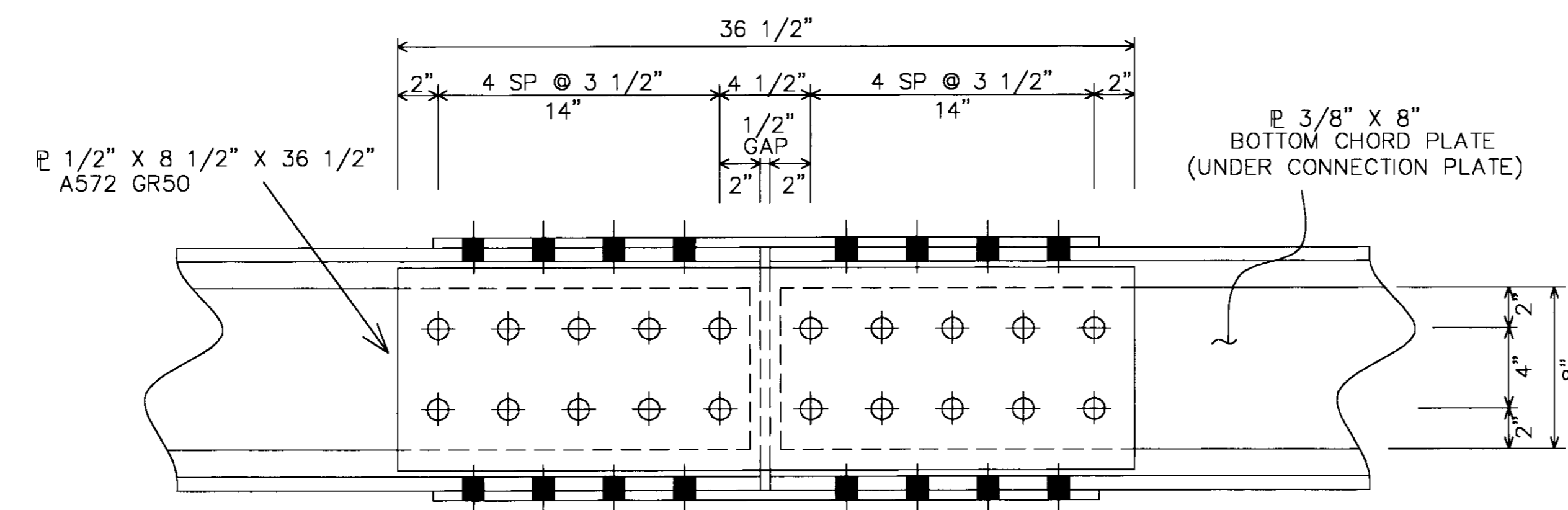
TOP VIEW



SIDE VIEW

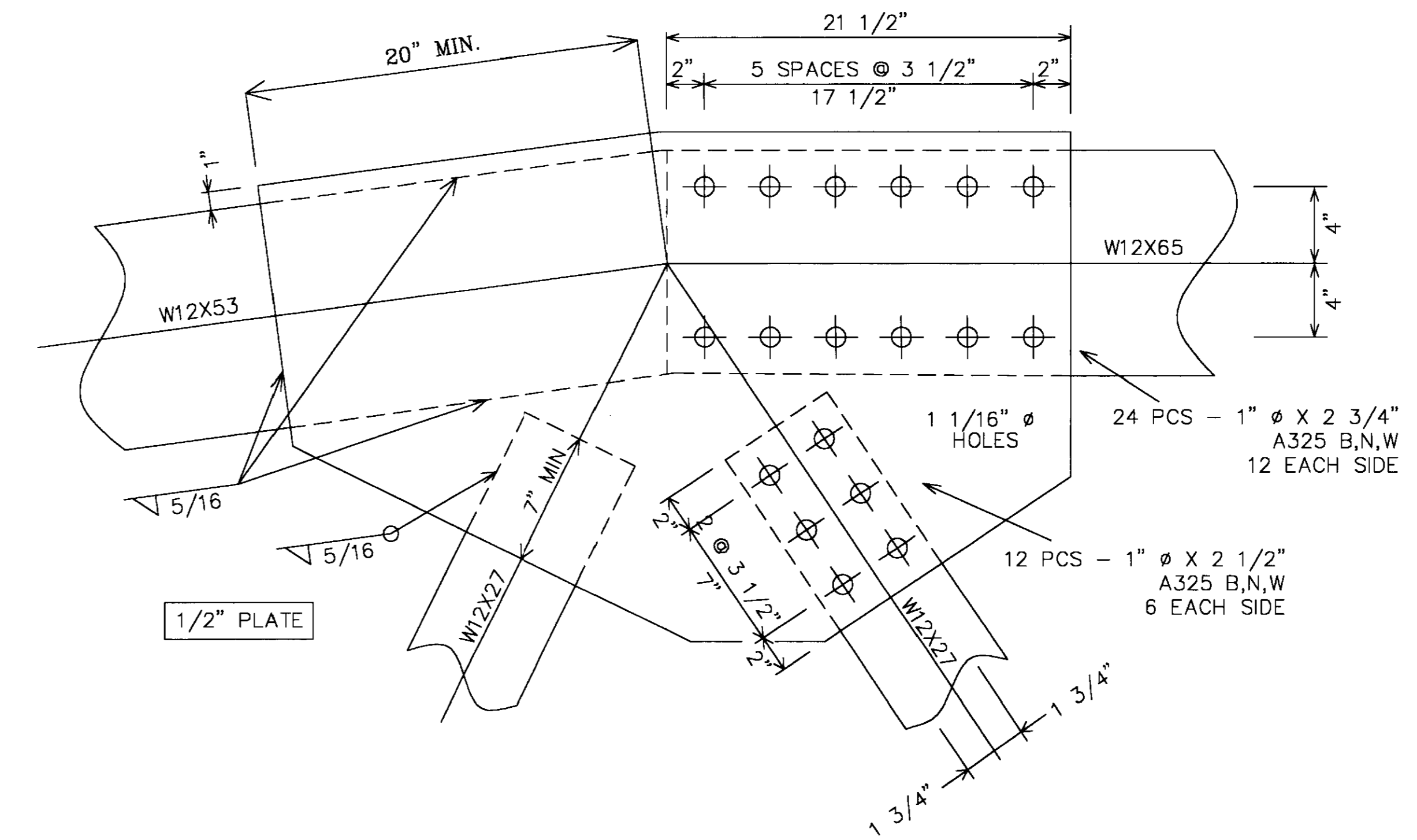


BOTTOM VIEW



L3-L5 CONNECTION DETAIL

NOTE: DRAWINGS RELATIVE (DO NOT SCALE)



U4 GUSSET PLATE - 4 REQ'D

NO.	DATE	REVISIONS	BY	64'-6" TRUSS REHAB 24' ROADWAY WIDTH WALLBRIDGE EAST ROAD OVER CRANE CREEK ALLEN TWP. OTTAWA COUNTY, OHIO			
				DESIGN DLM	DRAWN MSB	DATE MAY 23, 2001	DRAWING NO. 64X24
				CHECK/DATE DLM	FABRICATOR OHIO BRIDGE		SHEET 6 OF 6